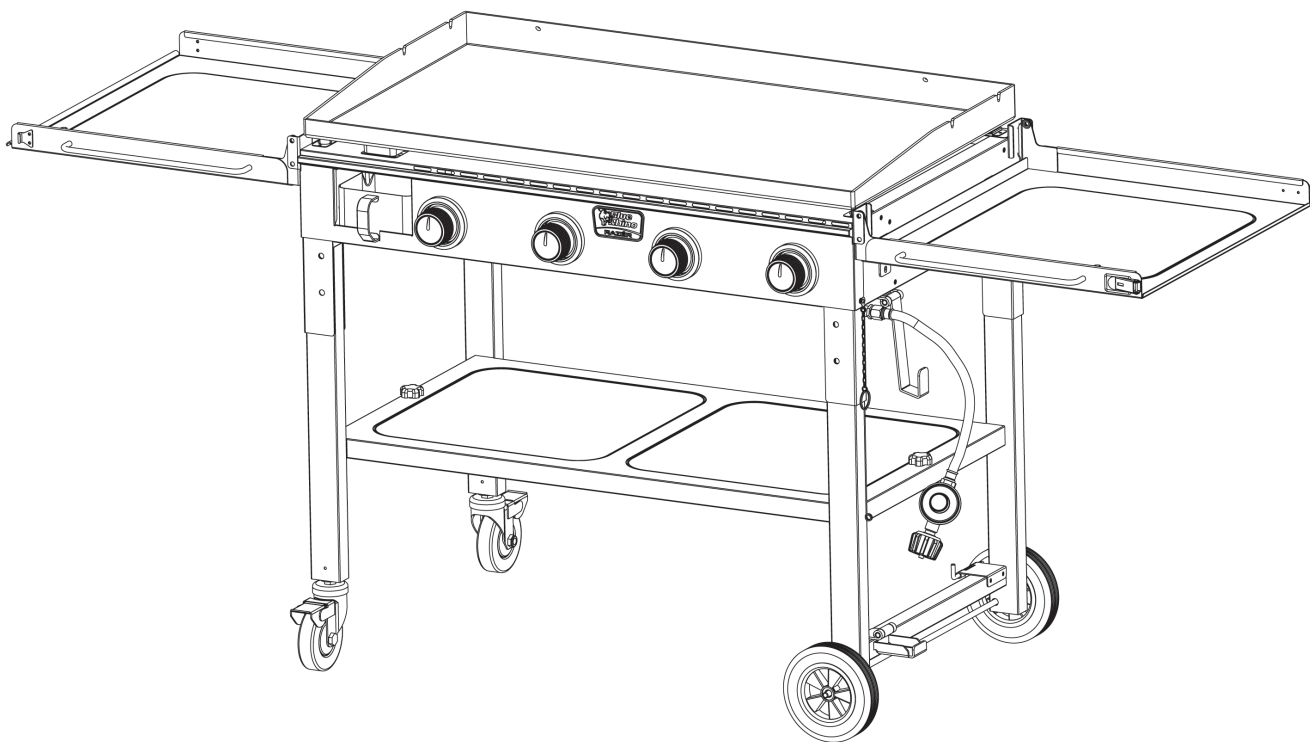




OWNER'S MANUAL

Outdoor LP Gas Griddle

Model No. GGC1643B



PATENT PENDING



WARNING
FOR YOUR SAFETY:

For Outdoor Use Only
(outside any enclosure)

WARNING
FOR YOUR SAFETY:

1. Improper installation, adjustment, alteration, service or maintenance can cause injury or property damage.
2. Read the installation, operation, and maintenance instructions thoroughly before installing or servicing this equipment.
3. Failure to follow these instructions could result in fire or explosion, which could cause property damage, personal injury, or death.
4. This instruction manual contains important information necessary for the proper assembly and safe use of the appliance.
5. Read and follow all warnings and instructions before assembling and using the appliance.
6. Follow all warnings and instructions when using the appliance.
7. Keep this manual for future reference.

DANGER

If you smell gas -

1. Shut off gas to appliance.
2. Extinguish any open flame.
3. Open lid.
4. If odor continues, keep away from the appliance and immediately call your gas supplier or your fire department.

WARNING
FOR YOUR SAFETY:

1. Do NOT store or use gasoline or other flammable liquids or vapors in the vicinity of this or any other appliance.
2. An LP cylinder not connected for use shall NOT be stored in the vicinity of this or any other appliance.

DANGER

Never operate this appliance unattended.

IMPORTANT

After each use, always season your griddle per "Seasoning Griddle" section.

Table of Contents

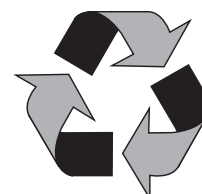
Important Safeguards	Page 2
Expanded View & Hardware	4
Assembly Instructions	5
Transporting & Storage Instructions	8
Installing LP Gas Tank	11
Operating Instructions	11
Cleaning and Care	12
Product Registration	13
Replacement Parts	13
Limited Warranty	14
Troubleshooting	15

The use and installation must conform with local codes or, in the absence of local codes, with either the *National Fuel Gas Code, ANSI Z223.1/NFPA 54, Natural Gas and Propane Installation Code, CSA B149.1, or Propane Storage and Handling Code, B149.2, or the Standard for Recreational Vehicles, ANSI A 119.2/NFPA 1192, and CSA Z240 RV Series, Recreational Vehicle Code, as applicable.*

THIS INSTRUCTION BOOKLET CONTAINS IMPORTANT SAFETY INFORMATION. PLEASE READ AND KEEP FOR FUTURE REFERENCE.

If you are assembling this unit for someone else, give this manual to them to read and save for future reference.

WARNING: This product can expose you to chemicals, including carbon monoxide and soot which are known to the State of California to cause cancer, birth defects, and other reproductive harm. For more information go to www.P65Warnings.ca.gov.



Manufactured in China for: Blue Rhino Global Sourcing, Inc.
Winston-Salem, NC 27105 USA • 1.800.762.1142 • BlueRhino.com
© Blue Rhino Global Sourcing, Inc.
Blue Rhino® is a trademark of Ferrellgas L.P.
Razor® is a trademark of Blue Rhino Global Sourcing, Inc. Used with permission.

Made from 75% Bagasse
(environmentally friendly sugar
cane pulp by-product)



Important Safeguards

- ▲ **DANGER:** Failure to follow the dangers, warnings and cautions in this manual may result in serious bodily injury or death, or in a fire or an explosion causing damage to property.
-
- ▲ **WARNINGS:**
 - ▲ This griddle is for outdoor use only, and should not be used in a building, garage or any other enclosed area.
 - ▲ Do NOT operate, light or use this appliance within ten feet (3.05 m) of walls, structures or buildings.
 - ▲ For residential use only. This griddle is NOT for commercial use.
 - ▲ This griddle is not intended for and should never be used as a heater. TOXIC fumes can accumulate and cause asphyxiation.
 - ▲ This griddle is safety certified for use in the United States and/or Canada only. Do NOT modify for use in any other location. Modification will result in a safety hazard and will void your warranty.
 - ▲ This griddle is for use with liquid propane (LP) gas only. The conversion to or attempted use of natural gas in this LP gas griddle is dangerous, may cause bodily harm and will void your warranty.
 - ▲ LP gas characteristics:
 - a. LP gas is flammable and hazardous if handled improperly. Become aware of the characteristics before using any LP gas product.
 - b. LP gas is explosive under pressure, heavier than air, and settles/pools in low areas.
 - c. LP gas in its natural state has no odor. For your safety, an odorant is added that smells like rotten cabbage.
 - d. Contact with LP gas can cause freeze burns to skin.
 - ▲ Apartment dwellers: Check with management to learn the requirements and fire codes for using a LP gas griddle in your apartment complex. If allowed, use outside on the ground floor with a ten foot (3.05 m) clearance from any structure. Do NOT use on or under balconies.
 - ▲ LP gas cylinder needed to operate. Only cylinders marked "propane" may be used.
 - ▲ The LP gas cylinder must be constructed and marked in accordance with the *Specifications for LP-gas Cylinders* of the U.S. Department of Transportation (D.O.T.) or the National Standard of Canada, *CAN/CSA-B339, Cylinders, Spheres and Tubes for the Transportation of Dangerous Goods; and Commission*.
 - ▲ LP gas cylinder must be arranged for vapor withdrawal.
 - ▲ The LP gas cylinder must have a listed overfilling prevention device (OPD).
 - ▲ Only use LP gas cylinders equipped with a cylinder connection device compatible with the connection for outdoor cooking appliances.
 - ▲ The LP gas cylinder must have a cylinder collar to protect the cylinder valve.
 - ▲ Never use an LP gas cylinder with a damaged body, valve, collar or footing.
 - ▲ Dented or rusted LP gas cylinders may be hazardous and should be checked by your LP gas supplier prior to use.
 - ▲ The LP gas cylinder should not be dropped or handled roughly.
 - ▲ LP gas cylinders must be stored outdoors out of the reach of children and must not be stored in a building, garage or any other enclosed area. Your cylinder must never be stored where temperatures can reach over 125°F.
 - ▲ Do NOT insert any tool or foreign object into the valve outlet or safety relief valve. You may damage the valve and cause a leak. Leaking propane may result in an explosion, fire, severe personal injury or death.
 - ▲ Do NOT block holes in sides or back of griddle.
 - ▲ Never keep an LP gas cylinder in a hot car or trunk. Heat will cause the gas pressure to increase, which may open the relief valve and allow gas to escape.
 - ▲ Place dust cap on cylinder valve outlet whenever the cylinder is not in use. Only install the type of dust cap on the cylinder valve outlet that is provided with the cylinder valve. Other types of caps or plugs may result in leakage of propane.
 - ▲ If griddle is not in use, the gas must be turned off at the supply cylinder and disconnected.
 - ▲ Do NOT store a spare LP gas cylinder under or near this appliance.
 - ▲ Never fill the cylinder beyond 80 percent full.
 - ▲ A fire causing serious injury or damage to property may occur if the above is not followed exactly.
 - ▲ Never attempt to attach this griddle to the self-contained LP gas system of a camper trailer, motor home or house.
 - ▲ Never use charcoal, lighter fluid, lava rocks, gasoline, kerosene or alcohol with this product.
 - ▲ Your griddle has been checked at all factory connections for leaks. Re-check all connections as described in the "Operating Instructions" section, as shipping can loosen connections.
 - ▲ Check for leaks even if your unit was assembled for you by someone else.
 - ▲ Do NOT operate if a gas leak is present. Gas leaks may cause a fire or explosion.
 - ▲ You must follow all instructions in the "Checking for Leaks" section before operating. To prevent fire or explosion hazard when testing for a leak:
 - a. Always perform a leak test before lighting the griddle and each time the cylinder is connected for use.
 - b. No smoking. Do NOT use or permit sources of ignition in the area while conducting a leak test.
 - c. Conduct the leak test outdoors in a well-ventilated area.
 - d. Do NOT use matches, lighters, or a flame to check for leaks.
 - e. The use of alcohol, prescription or non-prescription drugs may impair the consumer's ability to properly assemble or safely operate the appliance.
 - f. Strong odors, colds, sinus congestion, etc. may prevent the detection of propane. Use caution and common sense when testing for leaks.
 - g. Do NOT use griddle until any and all leaks are corrected. If you are unable to stop a leak, disconnect the LP gas supply. Call a gas appliance serviceman or your local LP gas supplier.
 - ▲ This griddle is designed to operate at an inlet pressure of: 11 inches water column.
 - ▲ Do NOT store or use gasoline or other flammable liquids or vapors within 25 feet (7.62 m) of this appliance.
 - ▲ Do NOT use in an explosive atmosphere. Keep griddle area clear and free from combustible materials, gasoline and other flammable vapors and liquids.
 - ▲ Minimum clearance from sides and back of unit to combustible construction is 36 inches (91.4 cm). Do NOT use this appliance under any type of overhang or roof.
 - ▲ It is essential to keep the griddle's valve compartment, burners and circulating air passages clean.
 - ▲ Inspect griddle before each use.
 - ▲ Do NOT alter griddle in any manner. Any alteration will void your warranty.
 - ▲ Do NOT use the griddle unless it is COMPLETELY assembled and all parts are securely fastened and tightened.
 - ▲ Do NOT build this model of griddle in any built-in or slide-in construction. Ignoring this warning could cause a fire or an explosion that can damage property and cause serious bodily injury or death.
 - ▲ This griddle should be thoroughly cleaned and inspected on a regular basis.
 - ▲ Clean and inspect the hose before each use of the appliance. If there is evidence of abrasion, wear, cuts or leaks, the hose must be replaced prior to operation.
 - ▲ Use only the regulator and hose assembly provided. Use only the replacement regulator and hose assembly specified by RevoAce Inc. Limited
 - ▲ Use only RevoAce Inc. Limited factory-authorized parts. The use of any part that is not factory-authorized can be dangerous and will void your warranty.
 - ▲ Do NOT operate this appliance without reading "Operating Instructions" in this manual.

- ⚠ Do NOT touch metal parts of griddle until they have completely cooled to avoid burns, unless you are wearing protective gear (pot holders, gloves, BBQ mittens, etc.).
- ⚠ Do NOT install or use in or on boats or recreational vehicles.
- ⚠ When cooking, fire extinguishing materials should be readily accessible. In the event of an oil/grease fire, do NOT attempt to extinguish with water. Use type BC dry chemical fire extinguisher or smother with dirt, sand or baking soda.
- ⚠ Do NOT use griddle in high winds.
- ⚠ Never lean over the griddle when lighting.
- ⚠ Do NOT leave a lit griddle unattended. Keep children and pets away from griddle at all times.
- ⚠ Do NOT leave griddle unattended while preheating or burning off food residue on high. If griddle has not been cleaned, a grease fire can occur that may damage the product.
- ⚠ Do NOT place empty cooking vessels on the appliance while in operation.
- ⚠ Use caution when placing anything on the griddle while the appliance is in operation.
- ⚠ Do NOT attempt to move griddle when in use. Allow the griddle to cool before moving or storing.
- ⚠ LP gas cylinder must be properly disconnected and removed prior to moving this griddle.
- ⚠ Storage of griddle indoors is permissible only if the cylinder is disconnected, removed from the griddle and properly stored outdoors.
- ⚠ Do NOT attempt to disconnect the gas regulator from the cylinder or any gas fitting while the griddle is in use.
- ⚠ Always place your griddle on a hard, non-combustible, level surface. An asphalt or blacktop surface may not be acceptable for this purpose.
- ⚠ Move gas hoses as far away as possible from hot surfaces and dripping hot grease.
- ⚠ Keep all electrical cords away from a hot griddle.
- ⚠ After a period of storage and/or nonuse, check for leaks, burner obstructions and inspect for any abrasion, wear or cuts to the hose.
- ⚠ Failure to open side shelves while igniting the griddle's burners, or not waiting 5 minutes to allow the gas to clear if the griddle does not light, may result in an explosive flame-up.
- ⚠ Always use a meat thermometer to ensure food is cooked to a safe temperature.
- ⚠ Use protective gloves when assembling this product.
- ⚠ Do NOT force parts together as this can result in personal injury or damage to the product.
- ⚠ Never cover entire cooking area with aluminum foil.
- ⚠ Deaths, serious injury or damage to property may occur if the above is not followed exactly.



Outdoor LP Gas Griddle Model No. GGC1643B

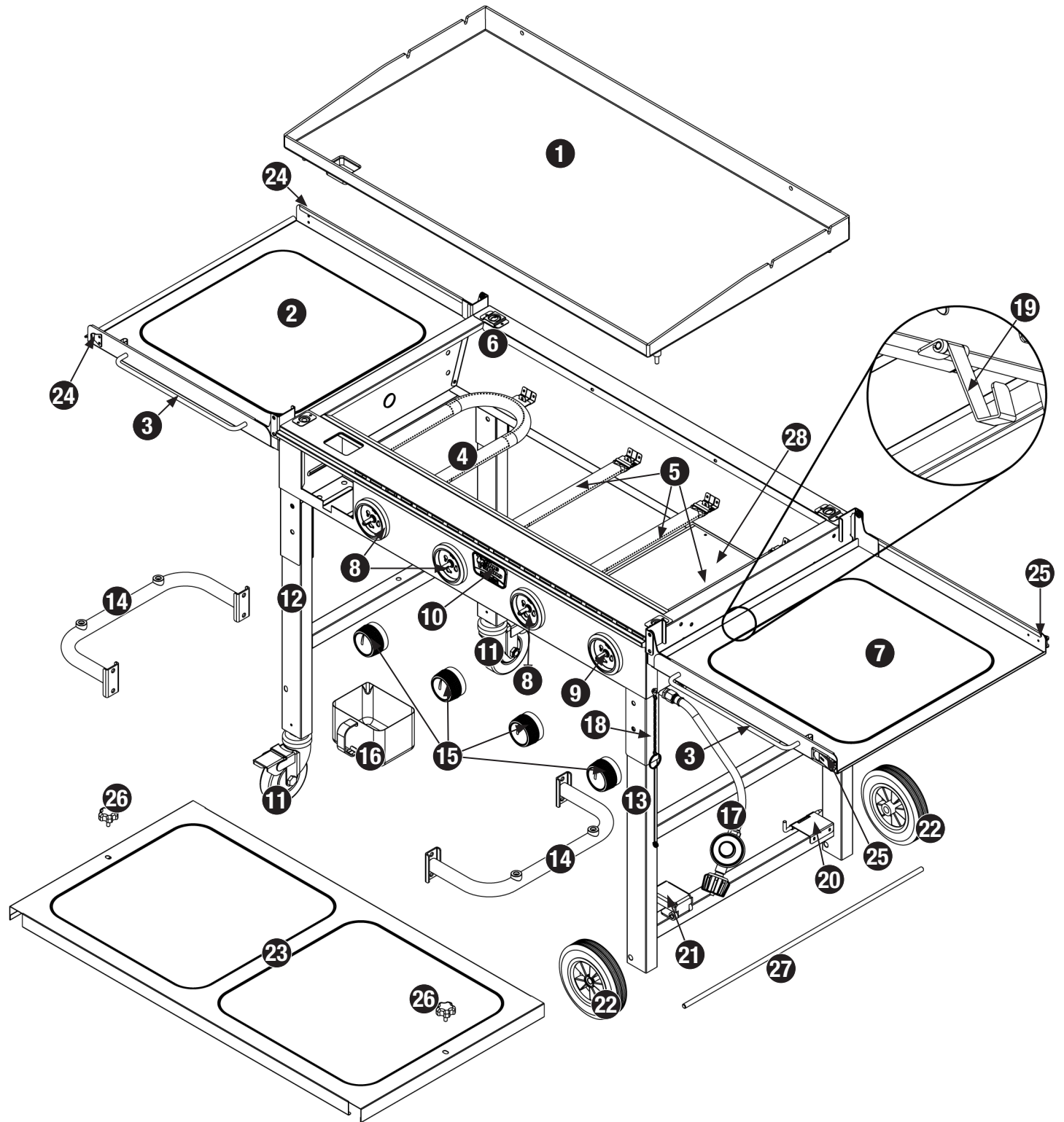
Parts List

1	Griddle Surface*	G1643-010
2	Left Side Shelf*	G1643-020
3	Towel Bar (2)*	G1643-030
4	U Burner*	G1643-040
5	Burner (3)*	G1643-050
6	Griddle Body Assembly*	G1643-060
7	Right Side Shelf*	G1643-070
8	Main Control Knob Bezel (3)*	G1143-090
9	Sear Control Knob Bezel*	G1143-091
10	Brand Plate*	B0109-BR0
11	Locking Wheel (2)*	G1643-080
12	Left Cart Frame*	G1643-090
13	Right Cart Frame*	G1643-100
14	Side Handle (2)	G1643-110
15	Control Knob (4)	G0850-G23
16	Grease Cup	G1643-120
17	Regulator/Hose Assembly*	B0308-A18
18	Lighting Hook*	B0223-D04
19	Upper LP Gas Tank Support* †	G1643-130
20	Leg Locking Assembly*	G1643-140
21	Lower LP Gas Tank Support* †	G1643-150
22	Wheel (2)	G1643-160
23	Bottom Shelf	G1643-170
24	Side Shelf Lock A (2)* †	B0107-E05
25	Side Shelf Lock B (2)* †	B0107-I09
26	Bottom Shelf Screw (2)	G1643-180
27	Axle	G1643-190
28	LP Gas Tank Heat Shield*	G1643-200

* Pre-assembled

† Not replaceable

Expanded View

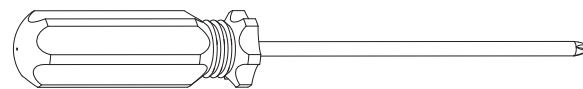


Hardware

A	Screw	M6x16 Nickel Plated Phillips Truss Head	8 pcs
B	Nut	M10 Nickel Plated	2 pcs

Tools Required for Assembly (Included)

#2 Phillips Head Screwdriver 1 pc



M10 Wrench 2 pcs



Assembly Instructions

1

DO NOT RETURN TO PLACE OF PURCHASE.

For assistance, call 1.800.694.0013 toll-free. Please have your owner's manual and model number available for reference.

Note: The model number is printed on a label which can be found on the bottom shelf.

Assembly Tips:

1. Select an area where you will assemble this product. To protect components, choose a smooth surface that's free of cracks or openings.
2. Spread out all parts.
3. Tighten all hardware connections by hand first. Then, before completing each step, go back and fully tighten all hardware. Be careful not to over-tighten. That could damage surfaces or strip threads.
4. For best results, complete each step in the order presented.

To complete assembly you will need:

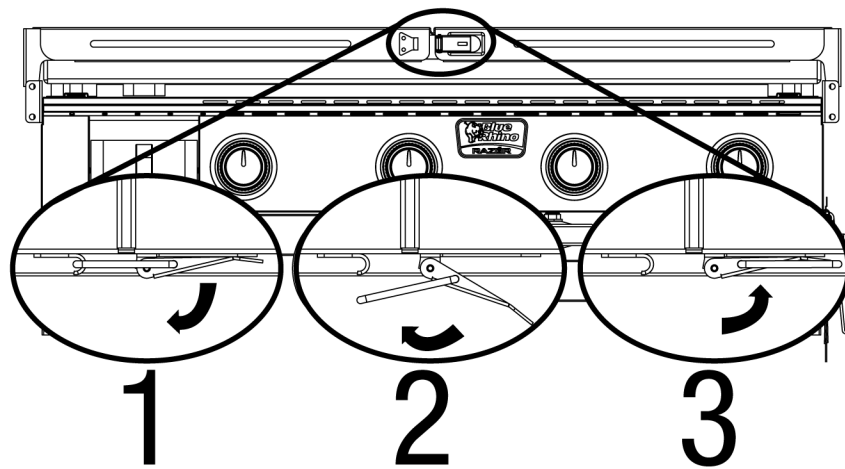
- (1) Leak detection solution (instructions on how to make the solution are included in the "Operating Instructions" section of this manual).
- (1) Precision-filled LP gas grill tank with Acme Type 1 external threaded valve connection (standard grill size) (not included).

Typical assembly is approximately one hour.

▲ CAUTION: Two (2) people are required for assembly.

2

Unlock Side Shelves



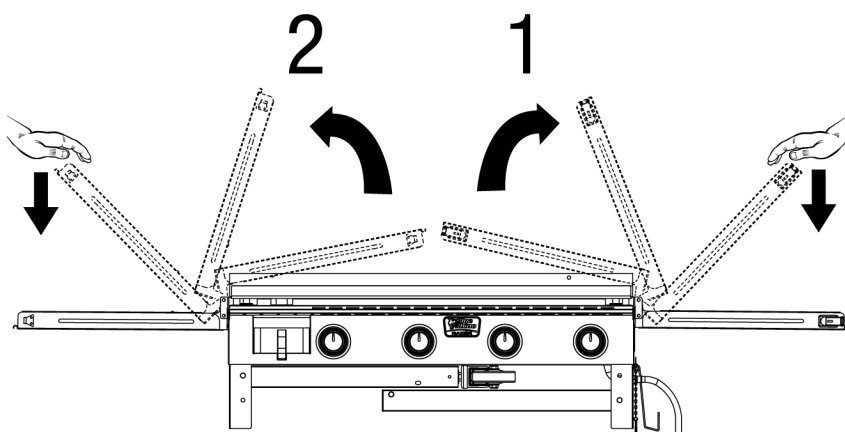
Open Side Shelves

Open right side shelf first, then left side. Make sure side shelves are pushed all the way down.

Note: support springs may cause the side shelves NOT to rest completely flush with the side handles.

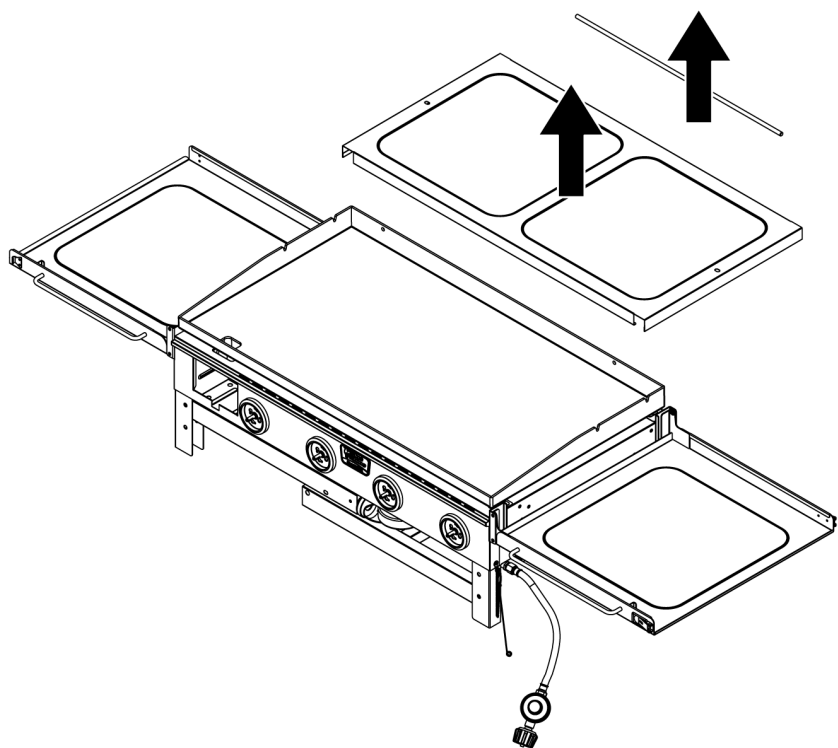
▲ CAUTION: Hold side shelf securely while opening. Do NOT release until fully extended.

▲ CAUTION: Maximum side shelf weight is 33 lbs (15 kg).



3

Remove Bottom Shelf and Axle

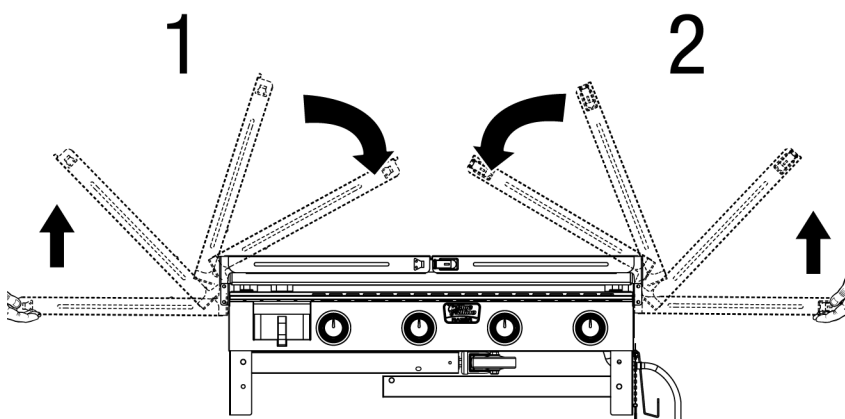


4

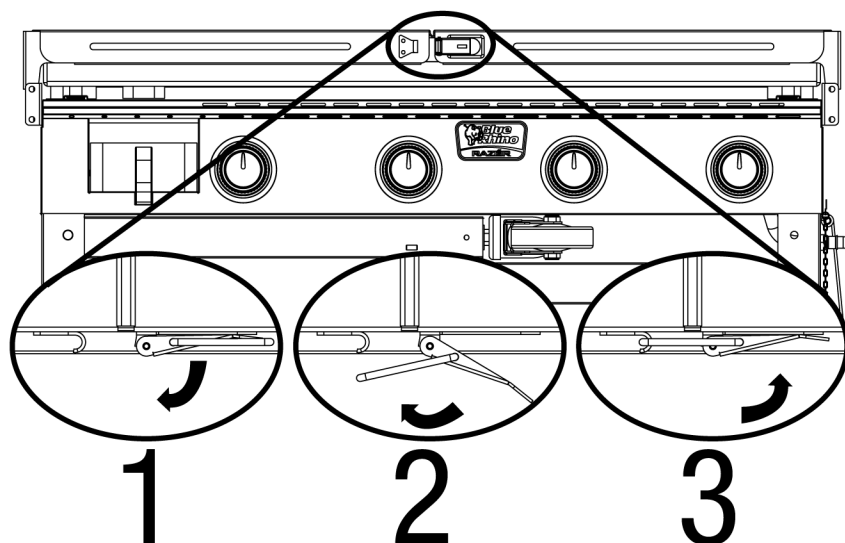
Close Side Shelves

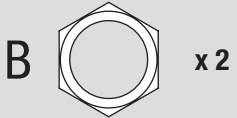
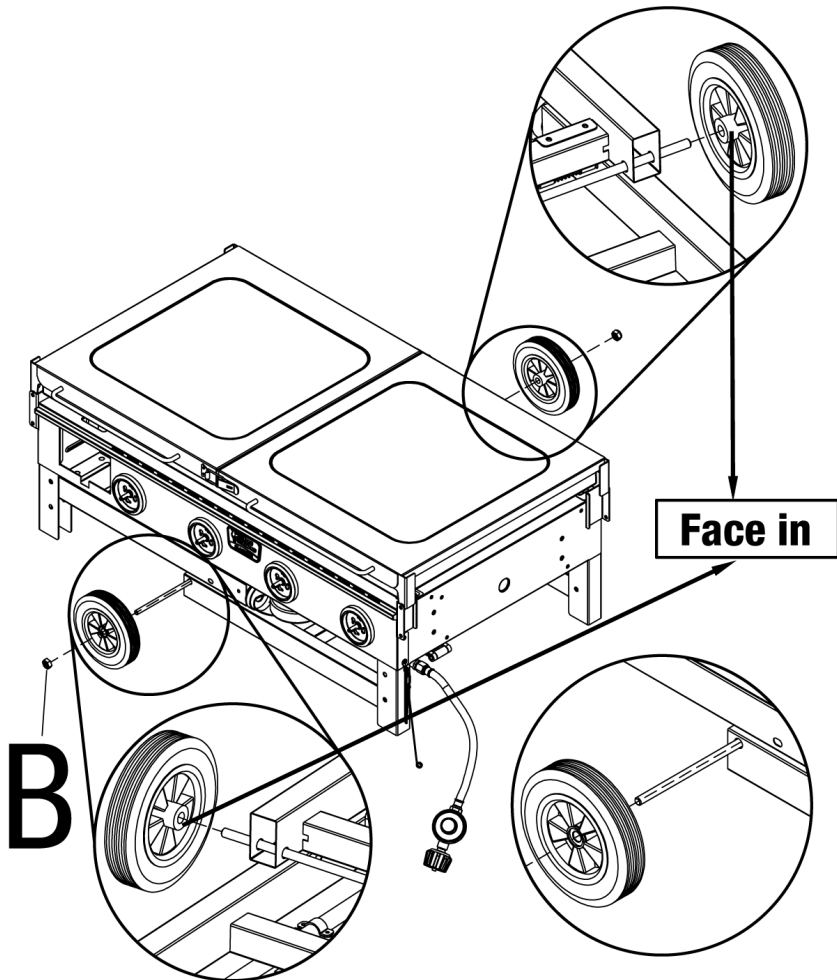
Close left side shelf first, then right side shelf.

▲ CAUTION: Hold side shelf securely while closing. Do NOT release until fully closed.



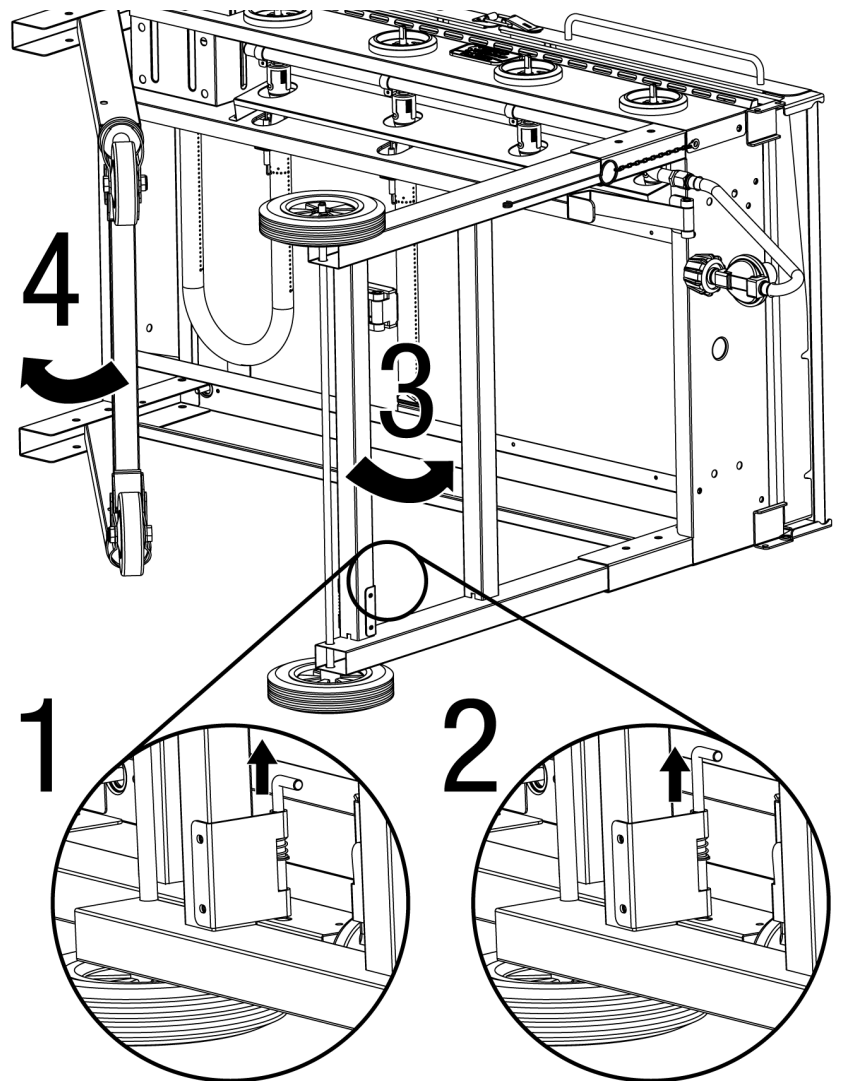
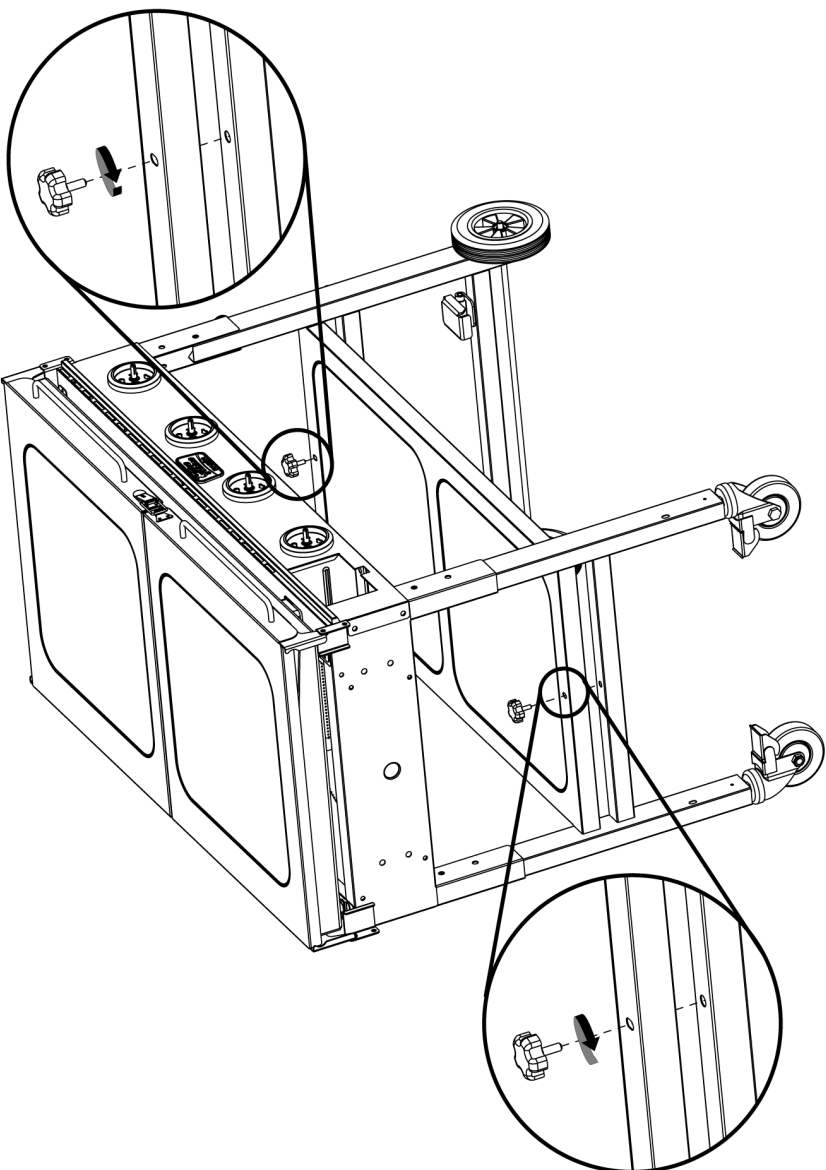
Lock Side Shelves



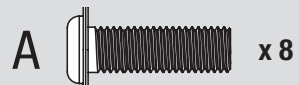
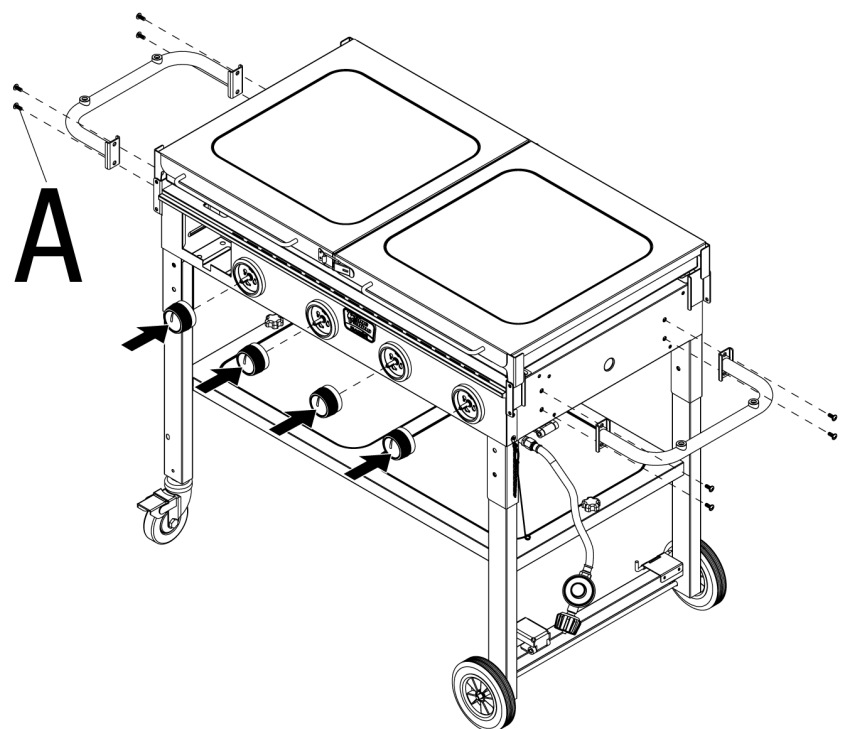
Assembly Instructions (continued)
5
Attach Wheels

6
Open Legs

▲ CAUTION: Two (2) people will be required to lay griddle on back.

Note: Open right leg first.

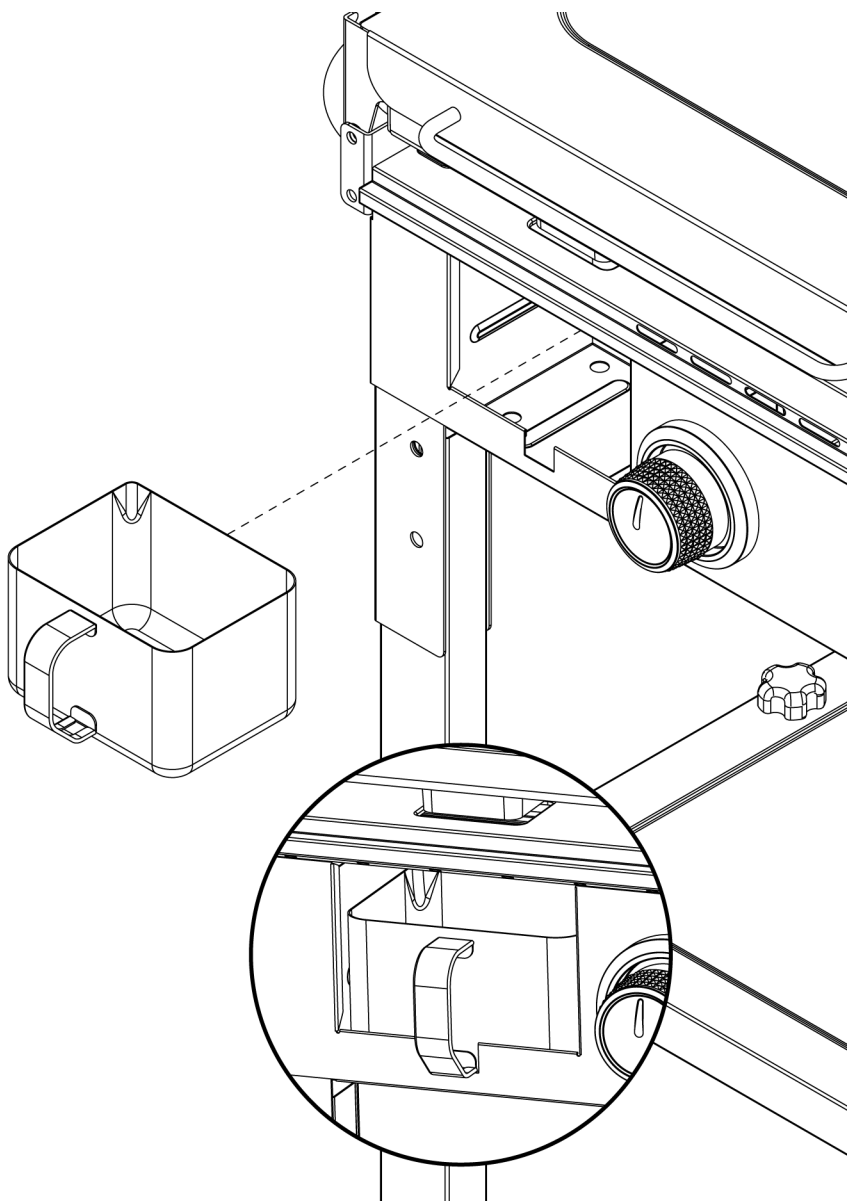

7
Attach Bottom Shelf

8
Attach Side Handles and Insert Control Knobs

▲ CAUTION: Two (2) people will be required to stand griddle upright.



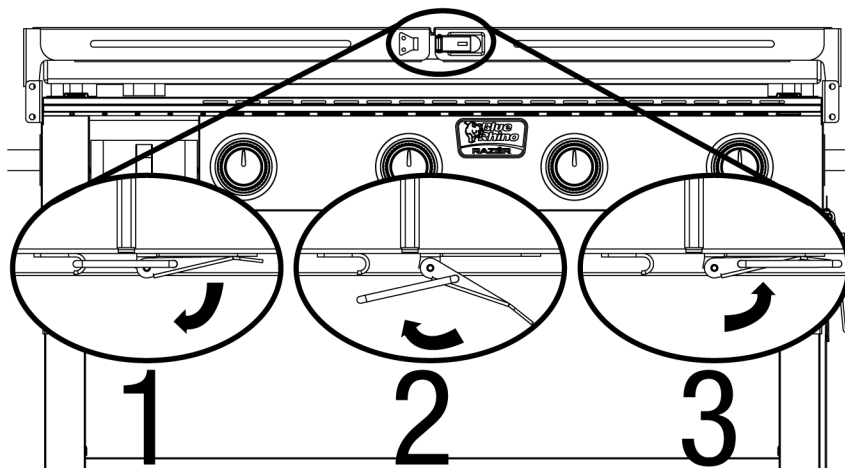
9

Insert Grease Cup



10

Unlock Side Shelves



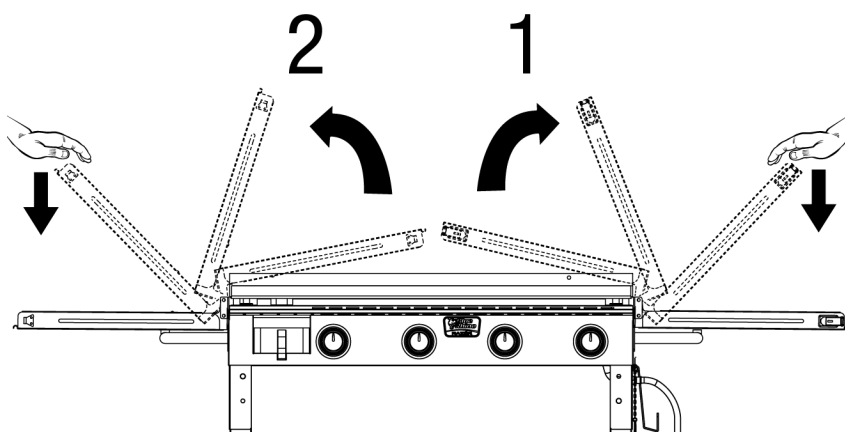
Open Side Shelves

Open right side shelf first, then left side. Make sure side shelves are pushed all the way down.

Note: support springs may cause the side shelves NOT to rest completely flush with the side handles.

▲ **CAUTION:** Hold side shelf securely while opening. Do NOT release until fully extended.

▲ **CAUTION:** Maximum side shelf weight is 33 lbs (15 kg).

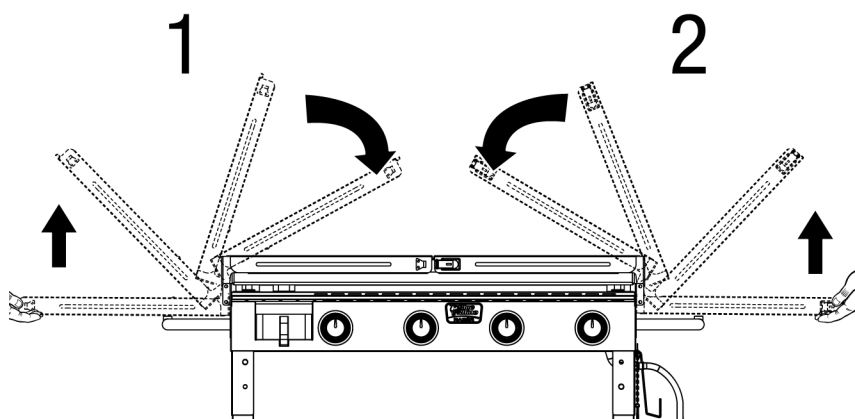


11

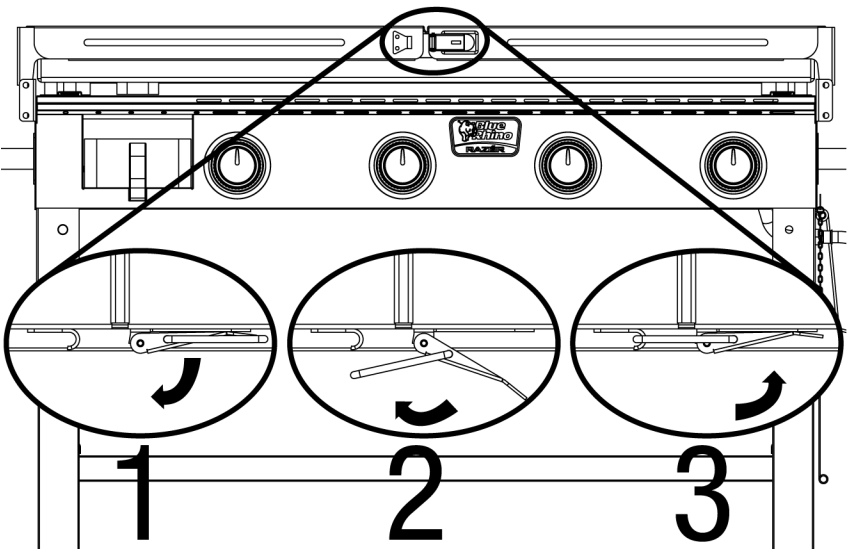
Close Side Shelves

Close left side shelf first, then right side shelf.

▲ **CAUTION:** Hold side shelf securely while closing. Do NOT release until fully closed.



Lock Side Shelves



IMPORTANT

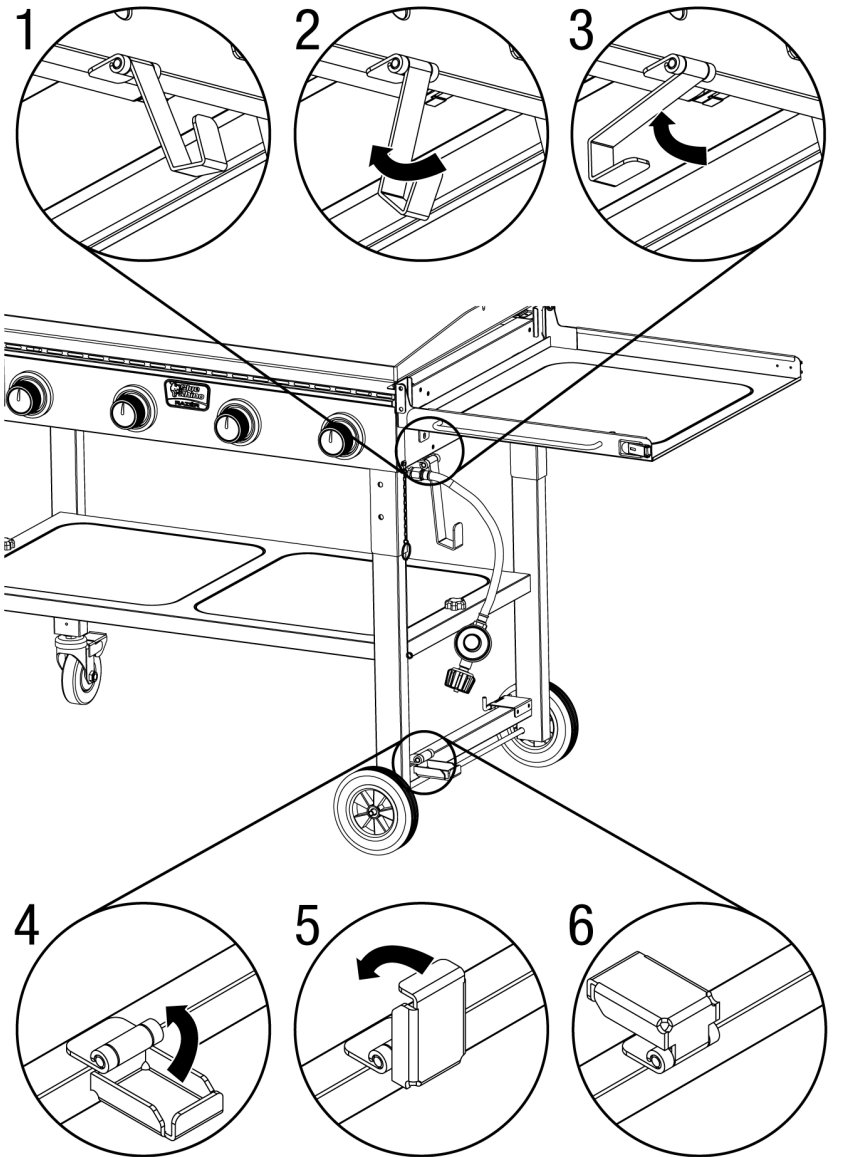
Before first use and after each use, always season your griddle per "Seasoning Griddle" section.

Transporting & Storage Instructions
1

- ▲ WARNING:** Before transporting or storing this griddle:
- Always season griddle per “Seasoning Griddle” section.
 - Always clean griddle per “Cleaning Instructions” section.
 - Always wait until griddle is cool.
 - Always turn griddle off per “Turning Off” section.
 - Always disconnect tank per “Disconnecting LP Gas Tank” section.
 - Always empty and properly dispose of all items in grease cup.

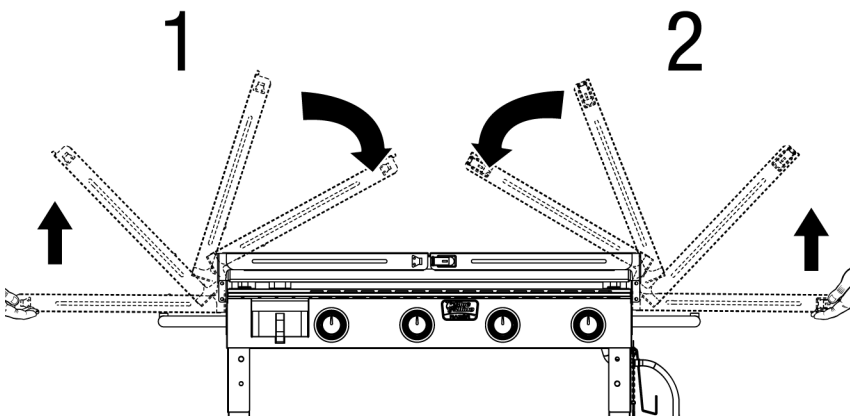
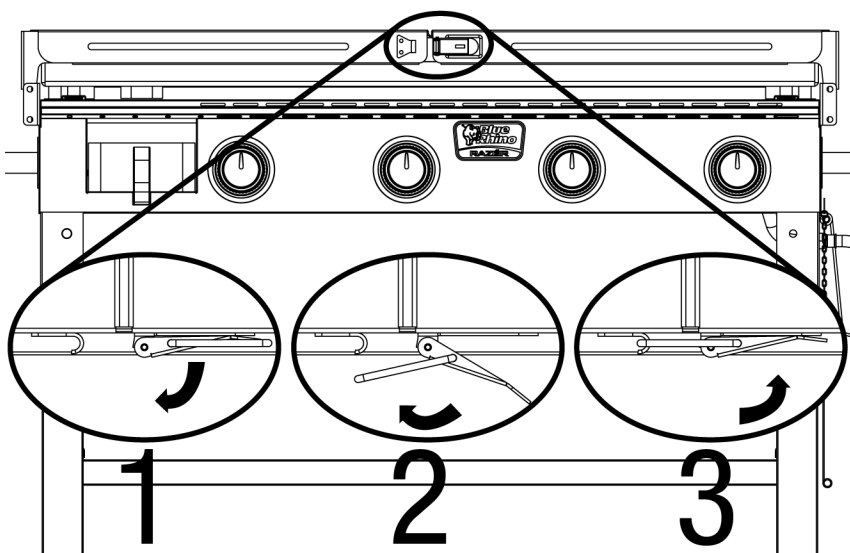
▲ WARNING: When transporting or storing this unit, always follow the instructions found in this section.

▲ CAUTION: Two (2) people will be required to prepare for transportation and/or storage.

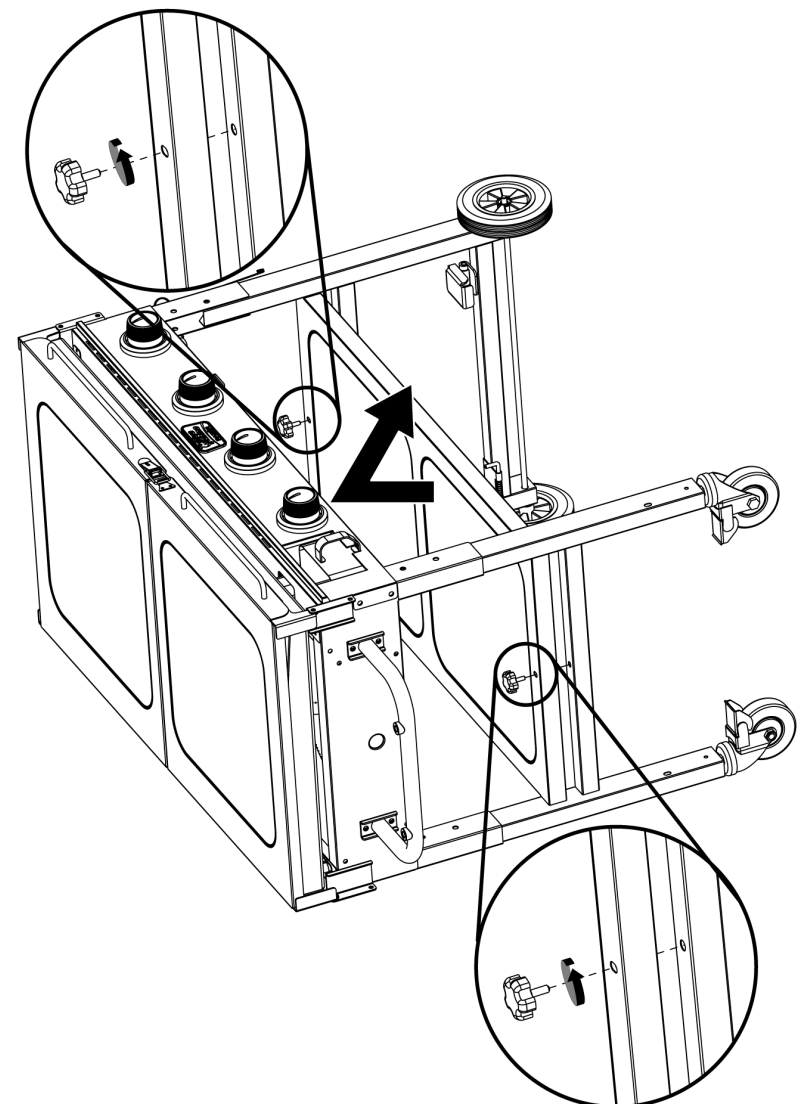
2
Secure LP Gas Tank Supports

3
Close Side Shelves

Close left side shelf first, then right side shelf.

▲ CAUTION: Hold side shelf securely while closing. Do NOT release until fully closed.

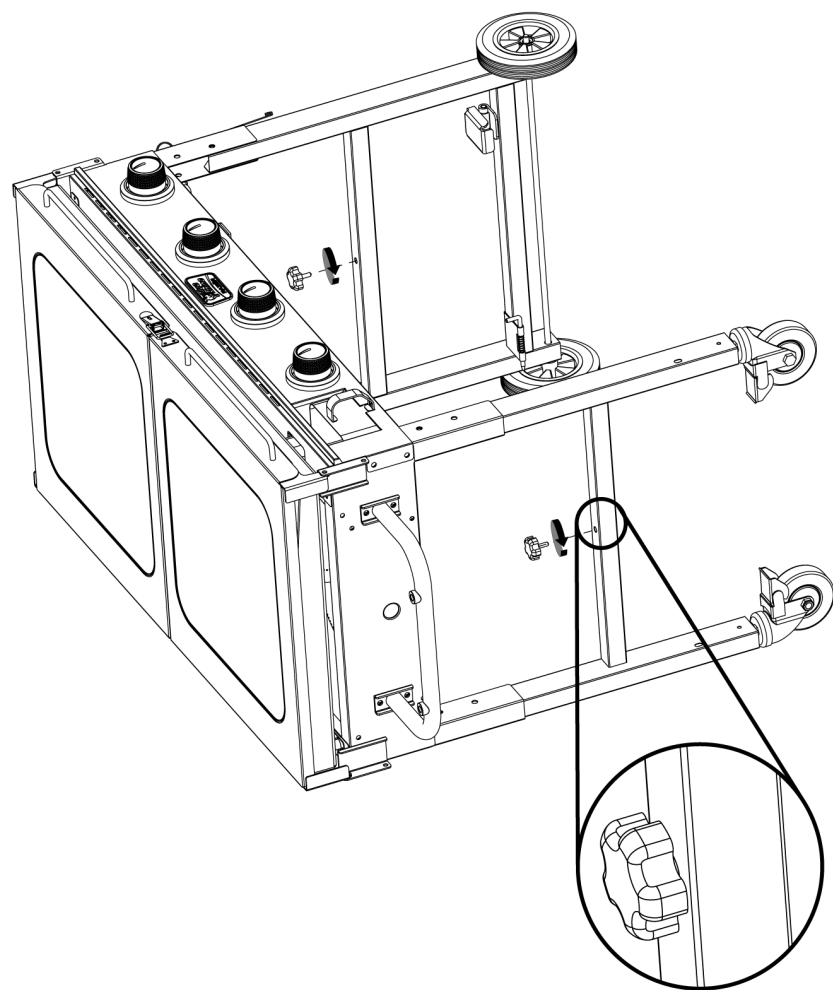

Lock Side Shelves

4
Remove Bottom Shelf

▲ CAUTION: Two (2) people will be required to lay griddle on back.



5

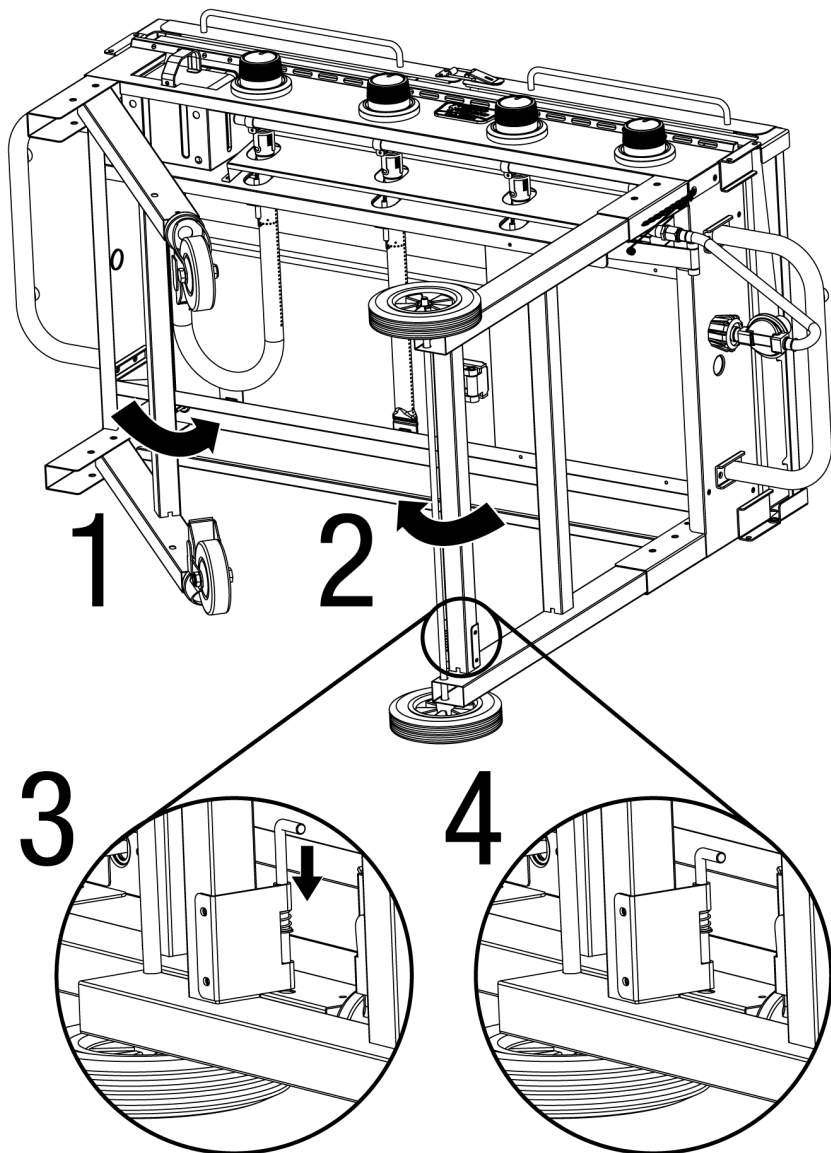
Attach Bottom Shelf Screws



6

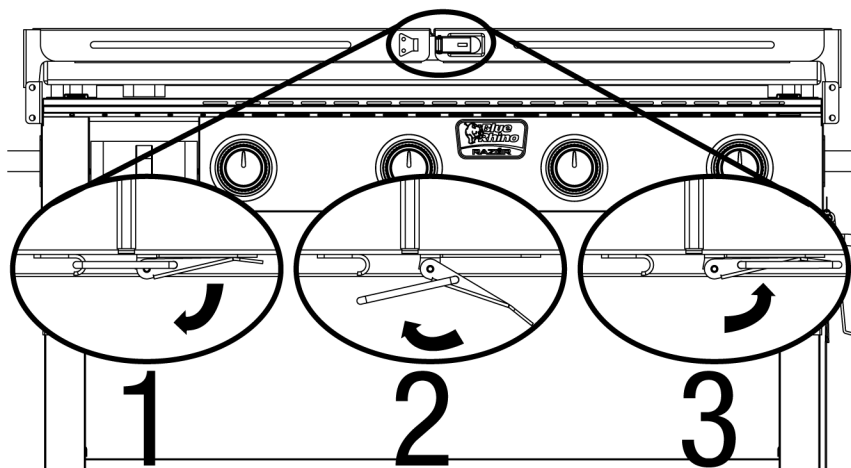
Close Legs

Note: Close left leg first.



7

Unlock Side Shelves



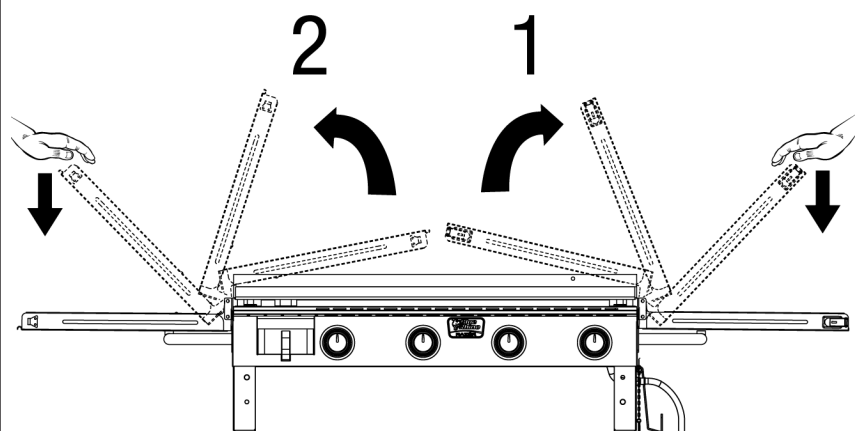
Open Side Shelves

Open right side shelf first, then left side. Make sure side shelves are pushed all the way down.

Note: support springs may cause the side shelves NOT to rest completely flush with the side handles.

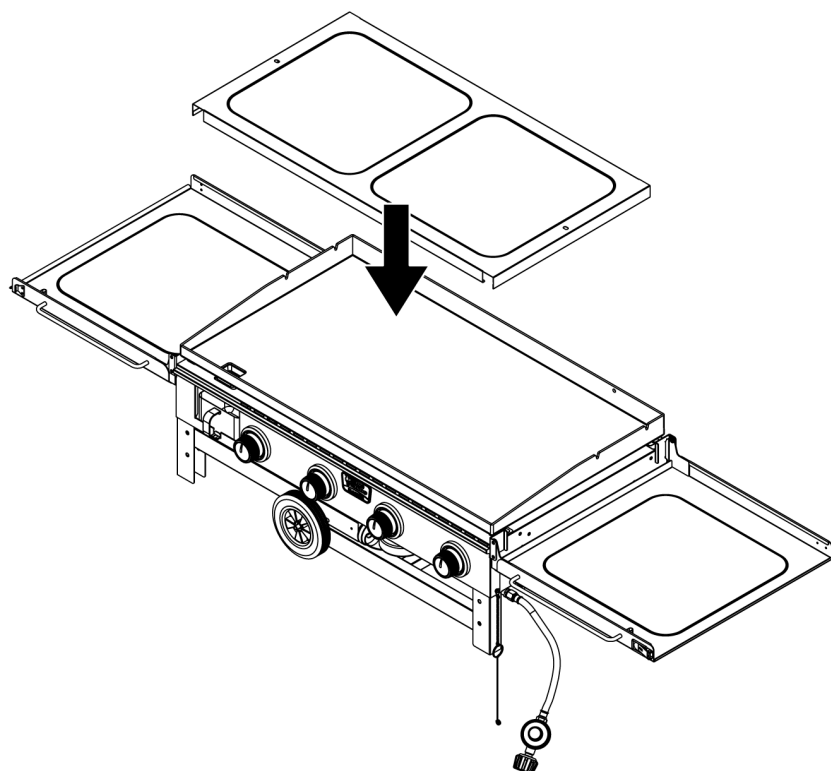
▲ **CAUTION:** Hold side shelf securely while opening. Do NOT release until fully extended.

▲ **CAUTION:** Maximum side shelf weight is 33 lbs (15 kg).



8

Place Bottom Shelf





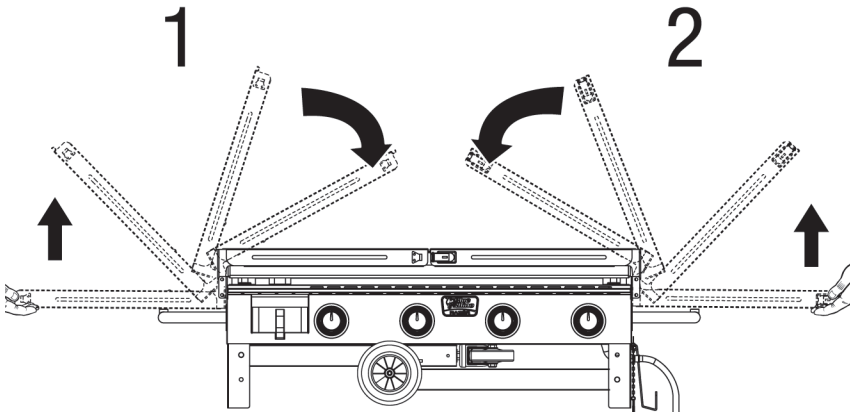
Transporting & Storage Instructions (continued)

9

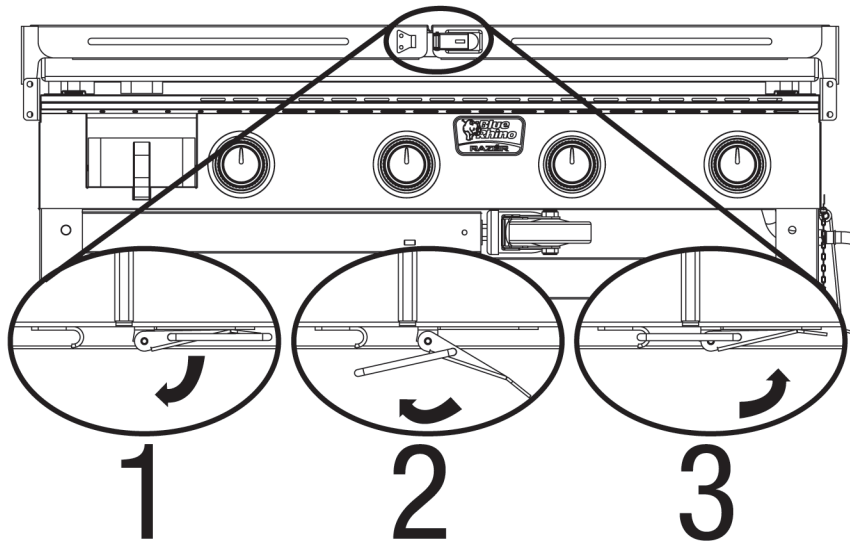
Close Side Shelves

Close left side shelf first, then right side shelf.

▲ CAUTION: Hold side shelf securely while closing. Do NOT release until fully closed.

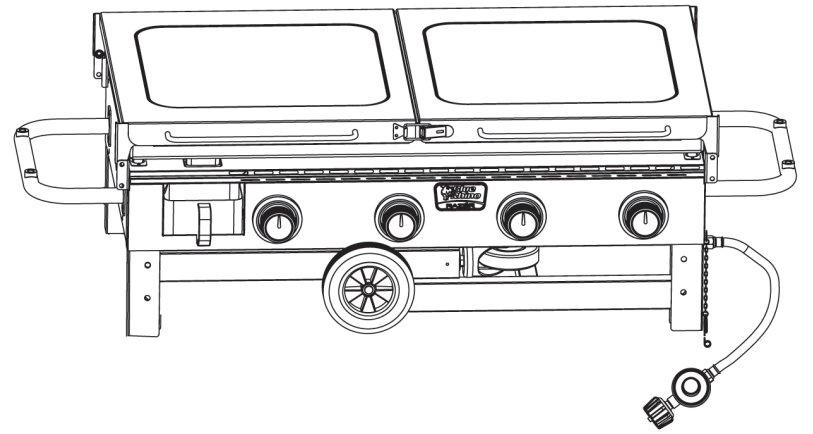


Lock Side Shelves



10

Transport or Store your Griddle



**CLEANED, INSPECTED,
AND LEAK-TESTED.**

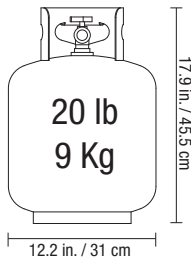
BlueRhino.com



Installing LP Gas Tank

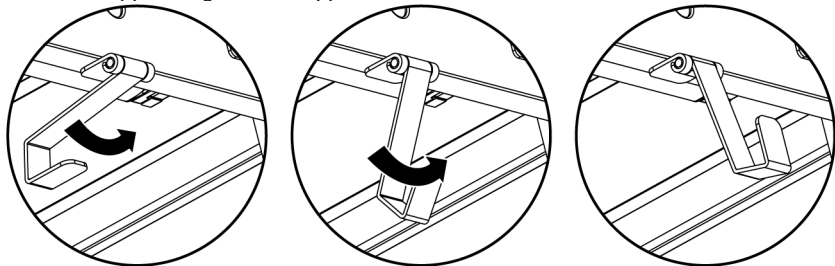
To operate, you will need one precision-filled standard barbecue grill LP gas tank with external valve threads.

- ▲ **CAUTION: LP gas tank must be properly disconnected and removed prior to moving this griddle.**

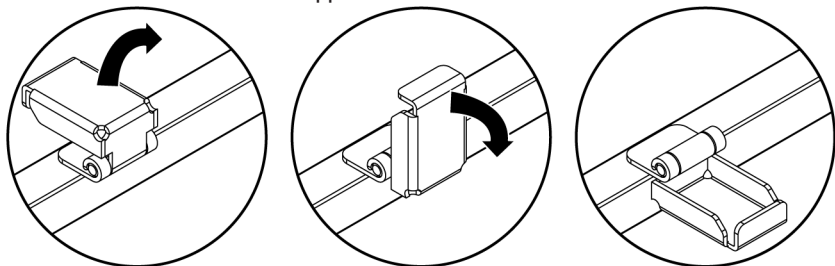


Inserting and Securing LP Gas Tank

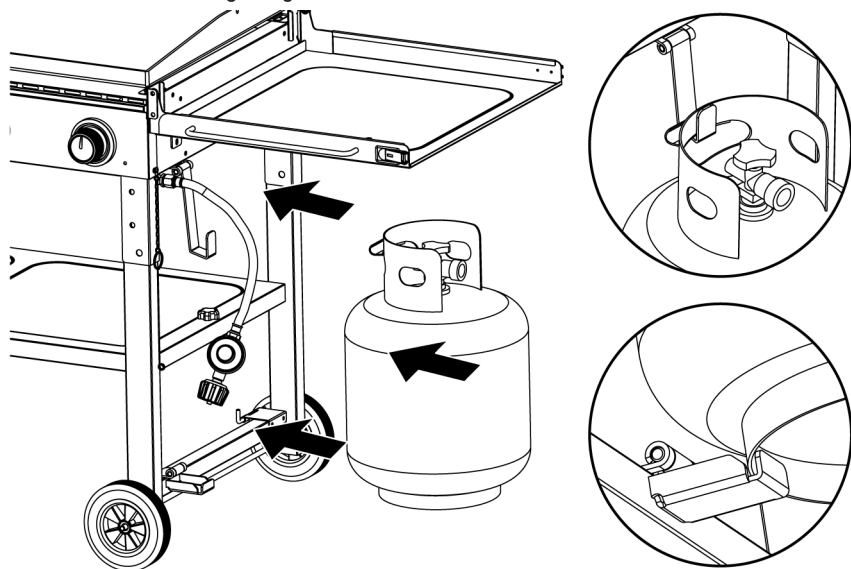
1. Unfold the upper LP gas tank support.



2. Unfold the lower LP Gas tank support.

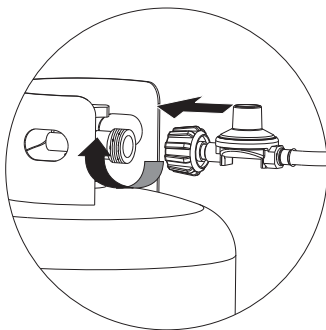


3. Place precision-filled LP gas tank upright onto the upper and lower LP gas tank support so the tank valve is facing the gas line connection.



Connecting LP Gas Tank

1. Make sure control knobs are in the "OFF" position (Figure 2).
2. Before connecting, be sure there is no debris caught in the head of the LP gas tank, head of the regulator valve or in the head of the burner or burner ports.
3. Connect regulator/hose assembly to tank by turning knob clockwise until it stops.
4. Perform leak test per "Checking for Leaks" section.

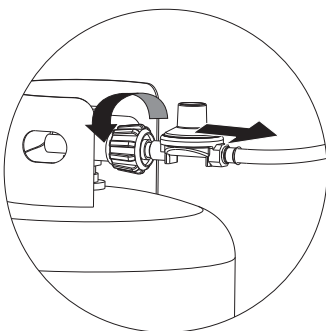


Disconnecting LP Gas Tank

1. Make sure control knobs are in the "OFF" position (Figure 2).
2. Before disconnecting, make sure the LP gas tank valve is "CLOSED."
3. Disconnect regulator/hose assembly from LP gas tank by turning knob counterclockwise until it is loose.

- ▲ **CAUTION: LP gas tank must be properly disconnected and removed prior to moving this griddle.**

4. Place the protective cap cover on the LP tank and store the tank outdoors in a well ventilated area out of direct sunlight.



Operating Instructions

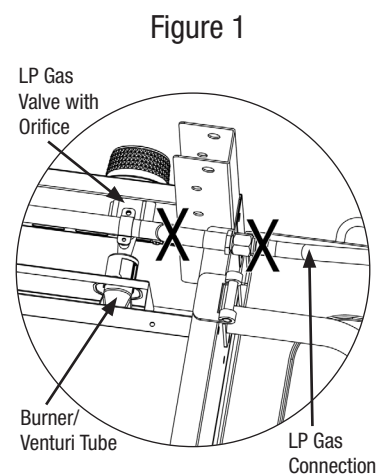
Checking for Leaks

Burner Connections

1. Make sure the regulator hose and valve connections are securely fastened to the burner and the tank.
2. Visually check the connection between the burner/venturi tube and orifice.
3. Make sure the burner/venturi tube fits over the orifice.

- ▲ **WARNING: Failure to inspect this connection or follow these instructions could cause a fire or an explosion which can cause death, serious bodily injury or damage to property.**

4. Please refer to diagram for proper installation (Figure 1).
5. If the burner/venturi tube does not rest flush to the orifice, as shown, please contact 1.800.694.0013 for assistance.



Tank/Gas Line Connection

1. Make 2-3 oz. of leak detection solution by mixing one part liquid dish washing soap with three parts water.
2. Make sure control knobs are in the "OFF" position (Figure 2).
3. Connect LP gas tank per "Installing LP Gas Tank" section.
4. Turn LP gas tank valve to "OPEN."
5. Spoon several drops of solution, or use a squirt bottle, at all "X" locations (Figures 1 and 3).
 - a. If any bubbles appear, turn LP gas tank valve to "CLOSED," reconnect and re-test.
 - b. If you continue to see bubbles after several attempts, turn LP gas tank valve to "CLOSED" and disconnect LP gas tank, per "Disconnecting LP Gas Tank" section. Contact 1.800.694.0013 for assistance.
 - c. If no bubbles appear after one minute, turn LP gas tank valve to "CLOSED," wipe away solution and proceed.

Figure 1

Figure 2

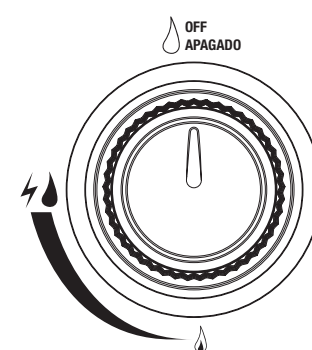


Figure 3

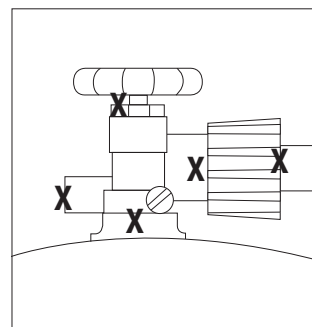
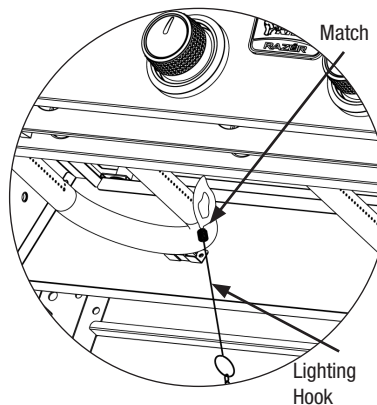


Figure 4

Operating Main Burners

First Use

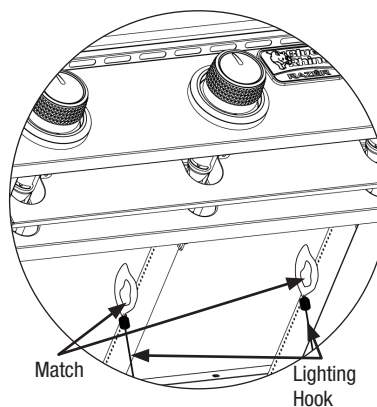
1. Make sure all labels, packaging and protective films have been removed from the griddle.
2. Light griddle per "Lighting" section.
3. Remove manufacturing oils before cooking on this griddle for the first time.
4. **Season your griddle per "Seasoning Griddle" section.**



Lighting

- ▲ **CAUTION: Keep outdoor gas cooking appliance area clear and free from combustible materials, gasoline and other flammable vapors and liquids.**
- ▲ **CAUTION: Do NOT obstruct the flow of combustion and ventilation air.**
- ▲ **CAUTION: Check and clean burner/venturi tubes for insects and insect nests. A clogged tube can lead to a fire.**
- ▲ **CAUTION: Do NOT use non-stick cooking sprays because they contain a lot of water and can burn onto the griddle, damaging the surface.**
- ▲ **CAUTION: Do NOT use corn oil as it contains a high level of sugar, which can caramelize and burn onto the surface.**

Figure 5



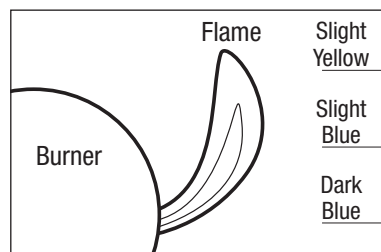
1. Open side shelves.
2. Check for obstructions of airflow to the burners. Spiders, insects and webs can clog the burner/venturi tube. A clogged burner tube can lead to a fire.
3. All control knobs must be in the "OFF" position (Figure 2).
4. Connect LP gas tank per "Installing LP Gas Tank" section.



Operating Instructions (continued)

- Turn LP gas tank valve to "OPEN."
- Push and turn any control knob to 🔥 (HIGH). The burner should light. If it does not, repeat up to three times.
- If ignition does not occur in 5 seconds, turn burner control knob "OFF," wait 5 minutes, and repeat lighting procedure.
- If igniter does not light burner, use a lit match secured with the Lighting Hook (included with the griddle) to light burners. Access the burners from under the griddle. Position lit match near side of burner (Figures 4 and 5).

Figure 6



Important: Always use the Lighting Hook (included) when lighting burners with a match.

- After lighting, observe the burner flame. Make sure all burner ports are lit and flame height matches illustration (Figure 6).

Note: Each burner lights independently - repeat steps 5-9 for the other burners.

CAUTION: If burner flame goes out during operation, immediately turn the control knobs to the "OFF" position, turn the LP gas tank valve to "CLOSED" and open lid to let the gas clear for 5 minutes before re-lighting.

Turning Off

- Turn LP gas tank valve to "CLOSED."
- Turn all control knobs clockwise to the "OFF" position (Figure 2).
Note: A "poof" sound is normal as the last of the LP gas is burned.
- Disconnect LP gas tank per "Disconnecting LP Gas Tank" section.
- Season your griddle per "Seasoning Griddle" section.

Controlling Flare-ups

CAUTION:

- If a grease fire develops, turn control knobs to the "OFF" position and LP gas tank valve to "CLOSED." Do NOT use water on a grease fire. This can cause the grease to splatter and could result in serious burns, bodily harm or other damage.
- Do NOT leave griddle unattended while preheating or burning off food residue on 🔥 or 🔥 (HIGH). If griddle has not been cleaned, a grease fire can occur.

WARNING: When cooking, fire extinguishing materials should be readily accessible. In the event of an oil/grease fire, use type BC dry chemical fire extinguisher or smother with dirt, sand or baking soda. Do NOT attempt to extinguish with water.

Flare-ups are a part of cooking meats on a griddle and add to the unique flavor of grilling.

Excessive flare-ups can over-cook your food and be dangerous.

Important: Excessive flare-ups result from the build-up of grease in the grease cup.

If a grease fire occurs, turn the control knob(s) to "OFF" until the grease burns out.

If excessive flare-ups occur, do NOT pour water onto the flames.

Minimize Flare-ups:

- Trim excess fat from meats prior to cooking.
- Cook high fat content meats on 🔥 (LOW) setting or indirectly.
- Ensure that your griddle is on a hard, level, non-combustible surface and the grease is allowed to drain into grease receptacle.

Operating Sear Burner

CAUTION: Do NOT use non-stick cooking sprays as they can burn onto the griddle, damaging the surface.

CAUTION: Do NOT use corn oil as it contains a high level of sugar, which can caramelize and burn onto the surface.

A sear burner operates at very high temperatures. It can sear your food and seal in juices.

Lighting

- Light burner per "Operating Main Burners" section.
- If igniter does not light burner, use a lit match secured with the Lighting Hook (included with griddle) to light burners. Insert the Lighting Hook through the hole on the side of the cart and position the lit match near side of the burner (Figure 7).
- The sear burner is activated between 🔥 to 🔥.
- To turn the sear burner off and use as a main burner, turn the knob counterclockwise to 🔥 (HIGH) (Figure 9).
- To lower the flame of main burner, keep turning the knob counterclockwise to 🔥 (LOW) (Figure 10).

Turning Off

- Turn LP gas tank valve to "CLOSED."
- Turn all control knobs clockwise to the "OFF" position. (Figure 8).
Note: A "poof" sound is normal as the last of the LP gas is burned.
- Disconnect LP gas tank per "Disconnecting LP Gas Tank" section.
- Season your griddle per "Seasoning Griddle" section.

Controlling Flare-ups

CAUTION:

- If a grease fire develops, turn control knobs to the "OFF" position and LP gas tank valve to "CLOSED." Do NOT use water on a grease fire. This can cause the grease to splatter and could result in serious burns, bodily harm or other damage.
- Do NOT leave griddle unattended while preheating or burning off food residue on 🔥 or 🔥 (HIGH). If griddle has not been cleaned, a grease fire can occur.

WARNING: When cooking, fire extinguishing materials should be readily accessible. In the event of an oil/grease fire, use type BC dry chemical fire extinguisher or smother with dirt, sand or baking soda. Do NOT attempt to extinguish with water.

Flare-ups are a part of cooking meats on a griddle and add to the unique flavor of grilling.

Excessive flare-ups can over-cook your food and be dangerous.

Important: Excessive flare-ups result from the build-up of grease in the bottom of your griddle.

If a grease fire occurs, turn the control knob(s) to "OFF" until the grease burns out.

If excessive flare-ups occur, do NOT pour water onto the flames.

Minimize Flare-ups:

- Trim excess fat from meats prior to cooking.
- Cook high fat content meats on 🔥 (LOW) setting or indirectly.
- Ensure that your griddle is on a hard, level, non-combustible surface and the grease is allowed to drain into grease receptacle.

Figure 7

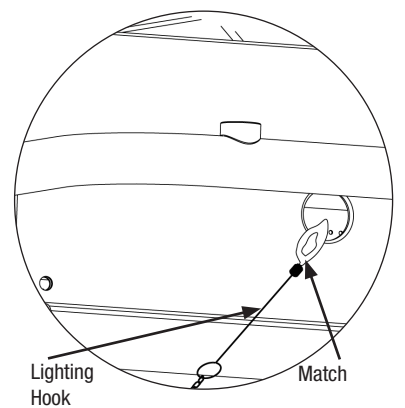


Figure 8

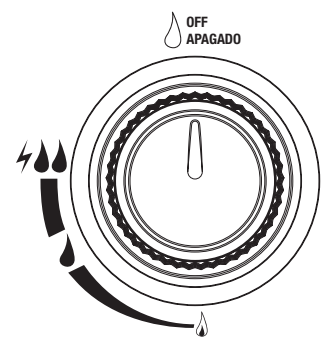


Figure 9

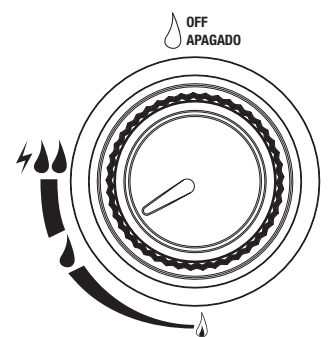
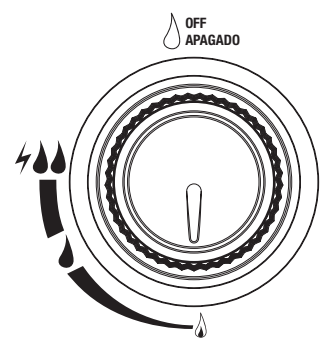


Figure 10



Cleaning and Care

CAUTION:

- All cleaning and maintenance should be done when griddle is cool and with the fuel supply disconnected.
- Do NOT clean any griddle part in a self-cleaning oven. The extreme heat will damage the finish.
- Do NOT enlarge valve orifices or burner ports when cleaning the valves or burners.

Notices

- This griddle should be thoroughly cleaned and inspected on a regular basis.
- Abrasive cleaners will damage this product.
- Never use oven cleaner to clean any part of griddle.

Before Each Use:

- Keep the griddle area clean and free from any combustible materials, gasoline, and other flammable vapors and liquids.
- Do NOT obstruct the flow of the combustion of LP gas and the ventilation of air.
- Keep the ventilation opening(s) of the LP gas tank area free and clear from debris.
- Visually check the burner flames to make sure your griddle is working properly (Figure 11).
- See sections below for proper cleaning and seasoning instructions.
- Check for obstructions of airflow to the burners. Spiders, insects and webs can clog the burner/venturi tube. A clogged burner tube can lead to a fire.

Cleaning and Care (continued)

Cleaning Cart Surfaces

1. Wipe surfaces clean with mild dish washing detergent or baking soda mixed with water.
2. For stubborn surfaces, use a citrus-based degreaser and a nylon scrubbing brush.
3. Rinse clean with water.
4. Allow to air dry.

Cleaning Main Burners

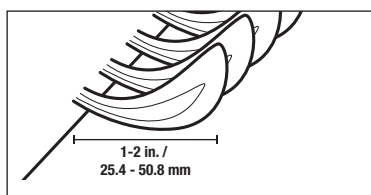
⚠ CAUTION: Two (2) people will be required to remove griddle.

1. Turn LP gas tank valve to "CLOSED."
2. Turn all control knobs clockwise to the "OFF" position.
 Note: A "poof" sound is normal as the last of the gas is burned.
3. Disconnect LP gas tank per "Disconnecting LP Gas Tank" section.
4. Remove griddle by lifting it off the cart.
5. Remove burners by removing the fasteners, which secure the burners to the frame bottom.
6. Lift burners up and away from gas valve orifice.
7. Disconnect wire from spark electrode.
8. Clean venturi of each burner with small bottle brush or compressed air.
9. Remove all residue and dirt from burner surface.
10. Clean any clogged ports with a stiff wire (such as an opened paper clip).
11. Inspect burners for any damage (cracks or holes). If damage is found, replace with new burner(s) from manufacturer.
12. Re-install burner(s). Checking to insure that gas valve orifice is correctly positioned inside each burner/venturi tube. Also, check position of spark electrode.
13. Connect wire to spark electrode.
14. Replace griddle.
15. Connect LP gas tank per "Installing LP Gas Tank" section.
16. Perform leak test per "Checking for Leaks" section.

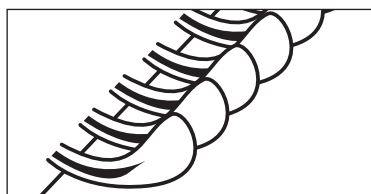
Figure 11

Burner Flame Conditions

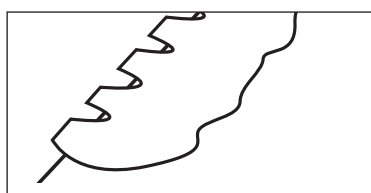
Use this chart to see if your burners need to be cleaned.



Normal: Soft blue flames with yellow tips between 1 in. - 2 in. height.



Needs cleaning: Noisy with hard blue flames.



Has to be replaced: Wavy with yellow flames.

6. Apply finishing oil onto griddle surface, inner and outer walls and evenly coat with rolled up paper towels.
7. Repeat this process at least twice.

After Each Use

1. Turn griddle off per "Turning Off" section.
2. While the griddle is still warm, gently scrape off all food residue with a scraper.
3. Wipe down griddle surface, inner and outer walls with a towel or paper towels.
4. For stubborn food residue:
 - a. Light griddle per "Lighting" section.
 - b. Apply cooking oil onto griddle surface.
 - c. Allow oil to "boil" food residue off.
 - d. Repeat steps 1 through 3.
 - e. If necessary, use a BBQ stone and scrub the food residue off.
 - f. Continue with "Seasoning Griddle" instructions.
5. Wipe off griddle surface, inner and outer walls with paper towels until clean.
 Note: While drying you may notice the towel has some discoloration. This is normal.
6. Apply finishing oil onto griddle surface, inner and outer walls and evenly coat with rolled up paper towels.
7. Light griddle per "Lighting" section.
8. Keep burners on 🔥 and 🔥🔥 (HIGH) for 15 minutes or until finishing oil starts to smoke.
9. Turn griddle off per "Turning Off" section.
10. Repeat steps 6-9 a minimum of 2 additional times.
11. Following "Before Storing" section.

Refurbish the Griddle Surface

1. If griddle is off, light per "Lighting" section for 10 minutes. Then turn griddle off per "Turning Off" section.
2. If griddle is on, turn griddle off per "Turning Off" section.
3. While the griddle is still warm, use a scraper or metal spatula to remove as much rust and food residue as you can from the griddle surface, inner and outer walls.
4. Apply a liberal amount of cooking oil onto the griddle surface.
5. Using a BBQ stone, scrub the griddle surface. Apply additional cooking oil as need.
6. Wipe off griddle surface, inner and outer walls with paper towels.
7. Repeat steps 3-5 until paper towels no longer show any rust.
8. Apply finishing oil onto griddle surface, inner and outer walls and evenly coat with rolled up paper towels.
9. Light griddle per "Lighting" section.
10. Keep burners on 🔥 and 🔥🔥 (HIGH) for 15 minutes or until finishing oil starts to smoke.
11. Turn griddle off per "Turning Off" section.
12. Repeat steps 7-10 until the surface has a nice dark color.
13. Following "Before Storing" section.

Before Storing

1. Turn LP gas tank valve to "CLOSED."
2. Turn all control knobs clockwise to the "OFF" position.
 Note: A "poof" sound is normal as the last of the gas is burned.
3. Disconnect LP gas tank per "Disconnecting LP Gas Tank" section.
4. Clean all surfaces.
5. Lightly coat the burner(s) with cooking oil to prevent excess rusting.
6. Season your griddle per "Seasoning Griddle" section.
7. If storing the griddle indoors, disconnect the LP tank per "Disconnecting LP Gas Tank" section.
8. Place the protective cap cover on the LP tank and store the tank outdoors in a well-ventilated area out of direct sunlight.
9. If storing the griddle indoors, cover the griddle and store in a cool dry place.
10. If storing the griddle outdoors, cover the griddle with a griddle cover for protection from the weather.

Seasoning Griddle

Important: season your griddle every time you use it.

Griddle chefs at Japanese steakhouses and short-order restaurants season their griddles all the time, and it is critical for you to do it too. Seasoning helps prolong the life of your griddle, makes the cooking surface non-stick and helps prevent rust.

For more information, please visit BlueRhino.com/RazorFAQ.

Tools needed for seasoning:

- Metal scraper or metal spatula
- Cooking oil, such as vegetable oil or extra virgin olive oil
- Paper towels
- BBQ stone or steel wool
- Finishing oil such as flaxseed oil

⚠ CAUTION: Do NOT use corn oil as it contains a high level of sugar, which can caramelize and burn onto the surface.

First Use

1. Light griddle per "Lighting" section.
2. Keep burners on 🔥 and 🔥🔥 (HIGH) for 15 minutes.
3. Turn griddle off per "Turning Off" section.
4. Allow griddle to cool, but still be slightly warm.
5. Wipe off griddle surface, inner and outer walls with paper towels until clean.
 Note: While drying you may notice the towel may have some discoloration. This is normal.

Product Registration

For faster warranty service, please register your product immediately. To register, call 1.800.694.0013.

Replacement Parts

For replacement parts, call 1.800.694.0013.



Limited Warranty

RevoAce Inc. Limited ("manufacturer") warrants to the original retail purchaser of this product, and to no other person, that if this product is assembled, maintained, and operated in accordance with the printed instructions accompanying it, then for a period of one (1) year from the date of purchase, all parts in such product shall be free from defects in material and workmanship. Manufacturer may require reasonable proof of your date of purchase. Therefore, you should retain your sales slip or invoice. This Limited Warranty shall be limited to the repair or replacement of parts, which prove defective under normal use and service and which manufacturer shall determine in its reasonable discretion upon examination to be defective. Before returning any parts, you should contact manufacturer's Customer Service Department using the contact information listed below. If manufacturer confirms, after examination, a defect covered by this Limited Warranty in any returned part, and if manufacturer approves the claim, manufacturer will replace such defective part without charge. If you return defective parts, transportation charges must be prepaid by you. manufacturer will return replacement parts to the original retail purchaser, freight or postage prepaid.

This Limited Warranty does not cover any failures or operating difficulties due to accident, abuse, misuse, alteration, misapplication, improper installation or improper maintenance or service by you or any third party, or failure to perform normal and routine maintenance on the product as set out in this owner's manual. In addition, the Limited Warranty does not cover damage to the finish, such as scratches, dents, discoloration, rust or other weather damage, after purchase.

This Limited Warranty is in lieu of all other express warranties. manufacturer disclaims all warranties for products that are purchased from sellers other than authorized retailers or distributors, including the warranty of merchantability or the warranty of fitness for a particular purpose. MANUFACTURER ALSO DISCLAIMS ANY AND ALL IMPLIED WARRANTIES, INCLUDING WITHOUT LIMITATION THE IMPLIED WARRANTIES OF MERCHANTABILITY AND FITNESS FOR A PARTICULAR PURPOSE. MANUFACTURER SHALL HAVE NO LIABILITY TO PURCHASER OR ANY THIRD PARTY FOR ANY SPECIAL, INDIRECT, PUNITIVE, INCIDENTAL, OR CONSEQUENTIAL DAMAGES. manufacturer further disclaims any implied or express warranty of, and assumes no responsibility for, defects in workmanship caused by third parties.

This Limited Warranty gives the purchaser specific legal rights; a purchaser may have other rights depending upon where he or she lives. Some jurisdictions do not allow the exclusion or limitation of special, incidental or consequential damages, or limitations on how long a warranty lasts, so the above exclusion and limitations may not apply to everyone. manufacturer does not authorize any person or company to assume for it any other obligation or liability in connection with the sale, installation, use, removal, return, or replacement of its equipment, and no such representations are binding on manufacturer.

RevoAce Inc. Limited
Hong Kong, China
service@revoace.com
1.800.694.0013

Troubleshooting

Problem	Possible Cause	Prevention/Cure
Burner will not light using igniter	LP gas tank valve is closed	Make sure regulator is securely attached to the LP gas tank per "Installing LP Gas Tank," then turn LP gas tank valve to "OPEN"
	LP gas tank is low or empty	Exchange, refill or replace LP gas tank
	LP gas	1. Turn LP gas tank valve to "CLOSED" 2. Wait 5 minutes for gas to clear 3. Follow "Checking for Leaks" section
	Wires or electrode covered with cooking residue	Clean wire and/or electrode with rubbing alcohol
	Electrode and burners are wet	Wipe dry with cloth
	Electrode cracked/broken - sparks at crack	Replacement part(s) may be needed - contact Customer Care at 1.800.694.0013
	Wire loose or disconnected	Reconnect wire or replacement part(s) may be needed - contact Customer Care at 1.800.694.0013
	Wire is shorting (sparking) between igniter and electrode	Replacement part(s) may be needed - contact Customer Care at 1.800.694.0013
Burner will not light with match	Bad igniter	Replacement part(s) may be needed - contact Customer Care at 1.800.694.0013
	No gas flow	Check if LP gas tank is empty A. If empty, exchange, refill or replace LP gas tank B. If LP gas tank is not empty, refer to "Sudden drop in gas flow or reduced flame height" (see below)
	LP gas tank is low or empty	Exchange, refill or replace LP gas tank
	LP gas	1. Turn LP gas tank valve to "CLOSED" 2. Wait 5 minutes for gas to clear 3. Follow "Checking for Leaks" section
	Coupling nut and regulator not fully connected	Turn the coupling nut about one-half to three-quarters additional turn until solid stop. Tighten by hand only - do NOT use tools
	Obstruction of gas flow	1. Clear burner/venturi tube 2. Check for bent or kinked hose
	Disengagement of burner to valve	Re-engage burner and valve
	Spider webs or insect nest in venturi	Clean burner/venturi tube
Sudden drop in gas flow or reduced flame height	Burner ports clogged or blocked	Clean burner ports
	Out of gas	Exchange, refill or replace LP gas tank
Irregular flame pattern, flame does not run the full length of burner	Overfilling prevention device may have been activated	1. Turn control knobs to "OFF" 2. Wait 30 seconds and light griddle 3. If flames are still too low, reset the overfilling prevention device: a. Turn control knob(s) "OFF" b. Turn LP gas tank valve to "CLOSED" c. Disconnect regulator d. Turn control knobs to 🔥 and 🔥🔥 (HIGH) e. Wait 1 minute f. Turn control knobs to "OFF" g. Reconnect regulator and leak check connections, being careful not to fully open valve h. Light griddle per "Lighting" section
	Burner ports are clogged or blocked	Clean burner ports
Flame is yellow or orange	New burner may have residual manufacturing oils	Burn griddle for 15 minutes on 🔥 and 🔥🔥 (HIGH) with the lid closed
	Spider webs or insect nest in venturi	Clean venturi
	Food residue, grease, etc. on burners	Clean burner
	Poor alignment of valve to burner/venturi tube	Ensure burner/venturi tube is properly engaged with valve
Flame goes out	High or gusting winds	Do not use griddle in high winds
	Low on LP Gas	Exchange, refill or replace LP gas tank
	Overfilling prevention device may have been activated	Refer to "Sudden drop in gas flow or reduced flame height" (see above)
Flare-up	Grease buildup	Remove and clean all griddle parts per "Cleaning and Care" section
	Excess fat in meat	Trim fat from meat before cooking
	Excessive cooking temperature	Adjust to lower cooking temperature
Persistent grease fire	Grease trapped by food buildup around burner system	1. Turn control knobs to "OFF" 2. Turn LP gas tank valve to "CLOSED" 3. Leave lid in closed position and let fire burn out 4. After griddle cools, remove and clean all parts per "Cleaning and Care" section
Flashback (fire in burner tube(s))	Burner and/or burner/venturi tube are blocked	Clean burners and/or burner/venturi tube
Griddle Surface	Griddle has started to rust	With use the griddle surface will rust, this is normal. Follow the "Refurbish the Griddle Surface" instructions in the "Seasoning Griddle" section to season your griddle surface.
	Griddle surface looks dull	The cooking surface has gotten too hot, and is no longer seasoned. Season grill per "Seasoning Griddle" section.

For more assistance, please call 1.800.694.0013.





Resolución de problemas (continuación)

Problema	Causa posible	Prevención/solución
La grasa provoca un fuego persistente.	Grasa atascada por la acumulación de comida alrededor del sistema de quemadores.	<ol style="list-style-type: none"> 1. Gire las perillas de control a la posición "APAGADO". 2. Cierre la válvula del tanque de gas propano líquido girándola a la posición "CLOSED" (cerrado). 3. Deje la tapa cerrada y deje que el fuego se consuma. 4. Una vez se haya enfriado la parrilla con plancha, quite y limpie todas las piezas siguiendo las instrucciones de "Limpieza y cuidado" del manual del usuario.
Centelleos (hay fuego en ellos) tubo(s) del quemador.	El quemador y/o juegos de quemadores están bloqueados.	Limpie el quemador y/o el (los) tubo(s) del quemador.
Superficie de la plancha.	La plancha ha empezado a sufrir corrosión.	Con el uso, la superficie de la plancha de la parrilla sufrirá corrosión, lo cual es normal. Siga las instrucciones de "Reacondicionamiento de la superficie de la plancha de la parrilla" en la sección "Preparación de la plancha de la parrilla" para preparar la superficie de la plancha.
	La superficie de la plancha tiene una apariencia opaca.	La superficie de cocción se calienta demasiado y ya no está preparada. Prepare la plancha siguiendo las instrucciones descritas en la sección "Preparación de la plancha de la parrilla".

Para ayuda más detallada, sírvase llamarnos al 1.800.694.0013.

Resolución de problemas

?Necesita ayuda? Llame al 1.800.694.0013. No vuelva al lugar de compra.

Para piezas de repuesto 1.800.694.0013

Problema	Causa posible	Prevención/solución
<p>El quemador no se enciende utilizando el encendedor.</p> <p>La válvula del tanque de gas propano está cerrada. (abierto).</p> <p>El tanque de gas propano está bajo o vacío.</p> <p>Cambie, reemplace o vuelva a llenar el tanque de propano.</p> <p>1. Cierre la válvula del tanque de gas propano líquido girándola a la posición "CLOSED" (cerrado). 2. Espere 5 minutos para que se disperse el gas. 3. Siga las indicaciones de "Inspección de fugas" descritas en el manual del usuario.</p> <p>Fuga de gas propano</p> <p>Cables o electrodos cubiertos con restos de alimentos. Limpie el cable y/o electrodo con alcohol isopropílico.</p> <p>Séquelos con un paño.</p> <p>Los electrodos y los quemadores están mojados.</p> <p>Electrodo agrietado o roto; chispas en las griteras. al 1.800.694.0013</p> <p>Pueden necesitarse piezas de repuesto. Comuníquese con el Servicio al Cliente</p> <p>Cable suelto o desconectado. Puede ser necesario volver a conectar el cable u obtener piezas de repuesto. Comuníquese con el Servicio al Cliente al 1.800.694.0013</p> <p>El cable tiene un cortocircuito (chispeo) entre el encendedor y el electrodo. al 1.800.694.0013</p> <p>Encendedor defectuoso. Pueden necesitarse piezas de repuesto. Comuníquese con el Servicio al Cliente al 1.800.694.0013</p>	<p>No hay flujo de gas.</p> <p>A. Si está vacío, cámbielo, reemplácelo o vuelva a llenarlo. B. Si el tanque de propano líquido no está vacío, consulte la sección "Caída repentina del flujo de gas o altura de llama insuficiente" de esta página (vea más abajo).</p> <p>Nivel de gas del tanque de propano bajo o tanque vacío.</p> <p>Cambie, reemplace o vuelva a llenar el tanque de propano.</p> <p>1. Cierre la válvula del tanque de gas propano líquido girándola a la posición "CLOSED" (cerrado). 2. Espere 5 minutos para que se disperse el gas. 3. Siga las indicaciones de "Inspección de fugas" descritas en el manual del usuario.</p> <p>Fuga de gas propano</p> <p>Gire la tuerca de acoplamiento no está conectada por completo.</p> <p>1. Limpie los tubos del quemador. 2. Verifique que la manguera no esté torcida o doblada.</p> <p>Desacoplamiento del quemador a la válvula. Vuelva a conectar el quemador y la válvula.</p> <p>Telarañas o nidos de insectos en el venturi. Limpie el tubo de venturi y el tubo del quemador.</p> <p>Orificios del quemador atascados u obstruidos. Limpie las bocas del quemador.</p> <p>Sin gas Cambie, reemplace o vuelva a llenar el tanque de propano.</p>	<p>1. Gire las perillas de control a la posición "APAGADO". 2. Espere 30 segundos y encienda la parrilla con plancha. 3. Si las llamas continúan siendo demasiado bajas reinicie el dispositivo de seguridad de flujo excesivo:</p> <p>a. Gire la(s) perilla(s) de control a la posición "APAGADO". b. Cierre el gas girando la válvula del tanque de propano líquido a la posición "CLOSED" (cerrado). c. Desconecte el regulador. d. Gire las perillas de control a la posición ⚡ y ⚡ (alto). e. Espere 1 minuto. f. Gire las perillas de control a la posición "APAGADO" g. Vuelva a conectar el regulador y verifique las conexiones para averiguar que no haya fugas. Tenga cuidado, asegúrese de no abrir la válvula completamente h. Encienda la parrilla con plancha conforme a las instrucciones de encendido.</p>
<p>Caída repentina del flujo de gas o altura de la llama insuficiente.</p> <p>Puede que se haya activado el dispositivo de seguridad de exceso de flujo.</p>	<p>1. Gire las perillas de control a la posición "APAGADO". 2. Espere 30 segundos y encienda la parrilla con plancha. 3. Si las llamas continúan siendo demasiado bajas reinicie el dispositivo de seguridad de flujo excesivo:</p> <p>a. Gire la(s) perilla(s) de control a la posición "APAGADO". b. Cierre el gas girando la válvula del tanque de propano líquido a la posición "CLOSED" (cerrado). c. Desconecte el regulador. d. Gire las perillas de control a la posición ⚡ y ⚡ (alto). e. Espere 1 minuto. f. Gire las perillas de control a la posición "APAGADO" g. Vuelva a conectar el regulador y verifique las conexiones para averiguar que no haya fugas. Tenga cuidado, asegúrese de no abrir la válvula completamente h. Encienda la parrilla con plancha conforme a las instrucciones de encendido.</p>	<p>1. Gire las perillas de control a la posición "APAGADO". 2. Espere 30 segundos y encienda la parrilla con plancha. 3. Si las llamas continúan siendo demasiado bajas reinicie el dispositivo de seguridad de flujo excesivo:</p> <p>a. Gire la(s) perilla(s) de control a la posición "APAGADO". b. Cierre el gas girando la válvula del tanque de propano líquido a la posición "CLOSED" (cerrado). c. Desconecte el regulador. d. Gire las perillas de control a la posición ⚡ y ⚡ (alto). e. Espere 1 minuto. f. Gire las perillas de control a la posición "APAGADO" g. Vuelva a conectar el regulador y verifique las conexiones para averiguar que no haya fugas. Tenga cuidado, asegúrese de no abrir la válvula completamente h. Encienda la parrilla con plancha conforme a las instrucciones de encendido.</p>
<p>Falta de uniformidad en la llama, la llama no cubre toda la longitud del quemador.</p> <p>Las bocas del quemador están atascadas u obstruidas. Limpie los orificios del quemador.</p>	<p>1. Gire las perillas de control a la posición "APAGADO". 2. Espere 30 segundos y encienda la parrilla con plancha. 3. Si las llamas continúan siendo demasiado bajas reinicie el dispositivo de seguridad de flujo excesivo:</p> <p>a. Gire la(s) perilla(s) de control a la posición "APAGADO". b. Cierre el gas girando la válvula del tanque de propano líquido a la posición "CLOSED" (cerrado). c. Desconecte el regulador. d. Gire las perillas de control a la posición ⚡ y ⚡ (alto). e. Espere 1 minuto. f. Gire las perillas de control a la posición "APAGADO" g. Vuelva a conectar el regulador y verifique las conexiones para averiguar que no haya fugas. Tenga cuidado, asegúrese de no abrir la válvula completamente h. Encienda la parrilla con plancha conforme a las instrucciones de encendido.</p>	<p>1. Gire las perillas de control a la posición "APAGADO". 2. Espere 30 segundos y encienda la parrilla con plancha. 3. Si las llamas continúan siendo demasiado bajas reinicie el dispositivo de seguridad de flujo excesivo:</p> <p>a. Gire la(s) perilla(s) de control a la posición "APAGADO". b. Cierre el gas girando la válvula del tanque de propano líquido a la posición "CLOSED" (cerrado). c. Desconecte el regulador. d. Gire las perillas de control a la posición ⚡ y ⚡ (alto). e. Espere 1 minuto. f. Gire las perillas de control a la posición "APAGADO" g. Vuelva a conectar el regulador y verifique las conexiones para averiguar que no haya fugas. Tenga cuidado, asegúrese de no abrir la válvula completamente h. Encienda la parrilla con plancha conforme a las instrucciones de encendido.</p>
<p>La llama es de color amarillo o anaranjado.</p> <p>Puede que el nuevo quemador tenga aceites residuales del proceso de fabricación. Telarañas o nidos de insectos en el venturi. Limpie el venturi. Restos de alimentos, grasa o sal para condimentar en el quemador.</p> <p>La válvula no queda correctamente alineada con el venturi del quemador</p> <p>Asegúrese de que el tubo venturi del quemador está conectado adecuadamente a la válvula.</p> <p>Vientos fuertes o racheados. No use la parrilla con plancha cuando hay vientos fuertes.</p> <p>Nivel de gas del tanque de propano bajo. Cambie, reemplace o vuelva a llenar el tanque de propano.</p> <p>Puede que se haya activado el dispositivo de seguridad de exceso de flujo.</p> <p>Consulte la sección "Caída repentina del flujo de gas o altura de llama insuficiente" de esta página (vea más arriba).</p>	<p>1. Gire las perillas de control a la posición "APAGADO". 2. Espere 30 segundos y encienda la parrilla con plancha. 3. Si las llamas continúan siendo demasiado bajas reinicie el dispositivo de seguridad de flujo excesivo:</p> <p>a. Gire la(s) perilla(s) de control a la posición "APAGADO". b. Cierre el gas girando la válvula del tanque de propano líquido a la posición "CLOSED" (cerrado). c. Desconecte el regulador. d. Gire las perillas de control a la posición ⚡ y ⚡ (alto). e. Espere 1 minuto. f. Gire las perillas de control a la posición "APAGADO" g. Vuelva a conectar el regulador y verifique las conexiones para averiguar que no haya fugas. Tenga cuidado, asegúrese de no abrir la válvula completamente h. Encienda la parrilla con plancha conforme a las instrucciones de encendido.</p>	<p>1. Gire las perillas de control a la posición "APAGADO". 2. Espere 30 segundos y encienda la parrilla con plancha. 3. Si las llamas continúan siendo demasiado bajas reinicie el dispositivo de seguridad de flujo excesivo:</p> <p>a. Gire la(s) perilla(s) de control a la posición "APAGADO". b. Cierre el gas girando la válvula del tanque de propano líquido a la posición "CLOSED" (cerrado). c. Desconecte el regulador. d. Gire las perillas de control a la posición ⚡ y ⚡ (alto). e. Espere 1 minuto. f. Gire las perillas de control a la posición "APAGADO" g. Vuelva a conectar el regulador y verifique las conexiones para averiguar que no haya fugas. Tenga cuidado, asegúrese de no abrir la válvula completamente h. Encienda la parrilla con plancha conforme a las instrucciones de encendido.</p>
<p>La llama se apaga.</p> <p>Puede que se haya activado el dispositivo de seguridad de exceso de flujo.</p> <p>Consulte la sección "Caída repentina del flujo de gas o altura de llama insuficiente" de esta página (vea más arriba).</p>	<p>1. Gire las perillas de control a la posición "APAGADO". 2. Espere 30 segundos y encienda la parrilla con plancha. 3. Si las llamas continúan siendo demasiado bajas reinicie el dispositivo de seguridad de flujo excesivo:</p> <p>a. Gire la(s) perilla(s) de control a la posición "APAGADO". b. Cierre el gas girando la válvula del tanque de propano líquido a la posición "CLOSED" (cerrado). c. Desconecte el regulador. d. Gire las perillas de control a la posición ⚡ y ⚡ (alto). e. Espere 1 minuto. f. Gire las perillas de control a la posición "APAGADO" g. Vuelva a conectar el regulador y verifique las conexiones para averiguar que no haya fugas. Tenga cuidado, asegúrese de no abrir la válvula completamente h. Encienda la parrilla con plancha conforme a las instrucciones de encendido.</p>	<p>1. Gire las perillas de control a la posición "APAGADO". 2. Espere 30 segundos y encienda la parrilla con plancha. 3. Si las llamas continúan siendo demasiado bajas reinicie el dispositivo de seguridad de flujo excesivo:</p> <p>a. Gire la(s) perilla(s) de control a la posición "APAGADO". b. Cierre el gas girando la válvula del tanque de propano líquido a la posición "CLOSED" (cerrado). c. Desconecte el regulador. d. Gire las perillas de control a la posición ⚡ y ⚡ (alto). e. Espere 1 minuto. f. Gire las perillas de control a la posición "APAGADO" g. Vuelva a conectar el regulador y verifique las conexiones para averiguar que no haya fugas. Tenga cuidado, asegúrese de no abrir la válvula completamente h. Encienda la parrilla con plancha conforme a las instrucciones de encendido.</p>
<p>Fogonazo.</p> <p>Formaciones de grasa. Retire y limpie todas las partes de la parrilla con plancha según lo indicado en la sección "Limpieza y cuidado"</p> <p>Carne con exceso de grasa. Retire la grasa de la carne antes de ponerla en la parrilla con plancha.</p> <p>Se está utilizando una temperatura excesiva para cocinar. Ajuste (baje) la temperatura según corresponda.</p>	<p>1. Gire las perillas de control a la posición "APAGADO". 2. Espere 30 segundos y encienda la parrilla con plancha. 3. Si las llamas continúan siendo demasiado bajas reinicie el dispositivo de seguridad de flujo excesivo:</p> <p>a. Gire la(s) perilla(s) de control a la posición "APAGADO". b. Cierre el gas girando la válvula del tanque de propano líquido a la posición "CLOSED" (cerrado). c. Desconecte el regulador. d. Gire las perillas de control a la posición ⚡ y ⚡ (alto). e. Espere 1 minuto. f. Gire las perillas de control a la posición "APAGADO" g. Vuelva a conectar el regulador y verifique las conexiones para averiguar que no haya fugas. Tenga cuidado, asegúrese de no abrir la válvula completamente h. Encienda la parrilla con plancha conforme a las instrucciones de encendido.</p>	<p>1. Gire las perillas de control a la posición "APAGADO". 2. Espere 30 segundos y encienda la parrilla con plancha. 3. Si las llamas continúan siendo demasiado bajas reinicie el dispositivo de seguridad de flujo excesivo:</p> <p>a. Gire la(s) perilla(s) de control a la posición "APAGADO". b. Cierre el gas girando la válvula del tanque de propano líquido a la posición "CLOSED" (cerrado). c. Desconecte el regulador. d. Gire las perillas de control a la posición ⚡ y ⚡ (alto). e. Espere 1 minuto. f. Gire las perillas de control a la posición "APAGADO" g. Vuelva a conectar el regulador y verifique las conexiones para averiguar que no haya fugas. Tenga cuidado, asegúrese de no abrir la válvula completamente h. Encienda la parrilla con plancha conforme a las instrucciones de encendido.</p>



Parrilla con plancha de gas propano para exteriores modelo no. 66C1643B

Garantía limitada

RevoAce Inc. Limited ("fabricante"), garantiza al comprador original al detal de este producto, y a ninguna otra persona, que si la unidad se arma y opera de acuerdo con las instrucciones impresas que la acompañan y por un periodo de un (1) año a partir de la fecha de compra, todas las piezas de este producto estarán libres de defectos en material y mano de obra. El fabricante podrá requerir prueba razonable de la fecha de compra. Por lo tanto, usted debe conservar el recibo de venta o la factura. Esta garantía limitada estará limitada a la reparación o reemplazo de las piezas que resulten defectuosas en condiciones de servicio y uso normal y las que un examen indique, a satisfacción de fabricante, que están defectuosas. Antes de devolver cualquier pieza, comuníquese con el Departamento de Servicio al Cliente de fabricante. Si fabricante confirma el defecto y aprueba el reclamo, fabricante decidirá reemplazar tales partes sin costo alguno. Si se le pide que devuelva las partes defectuosas, los costos de transporte deberán ser prepagados. El fabricante devolverá las partes al cliente con costo de transporte o envío prepagados.

Esta garantía limitada no cubre fallas o dificultades de operación debidas a accidente, abuso, mal uso, alteración, empleo en usos inapropiados, instalación defectuosa o mantenimiento o servicio inapropiado o falla en la realización de mantenimiento normal y rutinario como se prescribe en este manual del usuario. Además, la garantía limitada no cubre daños al terminado de la unidad, tales como rasguños, abolladuras, descoloridos, oxidaciones y otros daños causados por la intemperie después de la compra de la unidad.

Esta garantía limitada reemplaza cualquier otra garantía. El fabricante no asume ninguna responsabilidad por garantías de productos vendidos por quienes no sean distribuidores o vendedores al detal autorizados. Esta exención de responsabilidad incluye cualquier garantía de comerciabilidad o la garantía de aptitud para un propósito en particular. El FABRICANTE NO SE HACE RESPONSABLE POR NINGUNA GARANTIA IMPLICITA INCLUYENDO, SIN LIMITACIONES, LAS GARANTIAS IMPLICITAS DE COMERCIABILIDAD Y ADAPTABILIDAD A UN PROPOSITO PARTICULAR. EL FABRICANTE NO ASUME RESPONSABILIDAD ANTE EL COMPRADOR O ANTE CUALQUIER TERCERA PERSONA POR DAÑOS ESPECIALES, INDIRECTOS, PUNITIVOS, INCIDENTALES O CONSECUENCIALES. El fabricante, además, no asume responsabilidad por garantías implícitas o expresas por defectos de mano de obra causados por terceras personas.

Esta garantía limitada le da al comprador derechos legales específicos y el comprador puede tener otros derechos según el lugar donde el comprador o la compradora residan. Ciertas jurisdicciones no permiten limitaciones en cuanto a la duración de una garantía implícita, de manera que esta limitación puede no ser aplicable a usted.

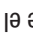

El fabricante no autoriza a ninguna persona o compañía para asumir por el fabricante cualquier otra obligación a responsabilidad relacionada con la venta, instalación, uso, remoción, devolución, o reemplazo de este equipo y cualquier representación de esta naturaleza no obliga a el fabricante.

RevoAce Inc. Limited
Hong Kong, China
service@revoace.com
1.800.694.0013

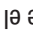

Limpieza y cuidado (continuación)

Después de cada uso

1. Apague la parrilla con plancha siguiendo las instrucciones de la sección "Para apagar".
2. Mientras la plancha está todavía caliente, limpie suavemente los residuos de comida con un raspador.
3. Limpie la superficie la plancha de la parrilla, las paredes internas y externas con una toalla o toallas de papel.
4. Para limpiar residuos de comida resistentes:
 - a. Encienda la parrilla con plancha siguiendo las instrucciones de la sección de "Encendido".
 - b. Aplique aceite de cocinar sobre la superficie de la plancha de la parrilla.
 - c. Deje que el aceite hirviendo limpie los residuos de comida.
 - d. Repita los pasos 1 a 3.
 - e. Si es necesario, utilice piedras de parrilla y retírelos hasta limpiar los residuos de comida.
 - f. Continúe con las instrucciones de "Preparación de la plancha de la parrilla".
5. Limpie la superficie de la plancha de la parrilla, las paredes internas y externas con toallas de papel hasta que estén limpias.

Nota: Al secar, puede notar que la toalla presenta cierto cambio de color. Esto es normal.
6. Aplique aceite de acabado sobre la superficie de la plancha de la parrilla, las paredes internas y externas y aplique una capa pareja con toallas de papel enrolladas.
7. Encienda la parrilla con plancha siguiendo las instrucciones de la sección de "Encendido".
8. Mantenga los quemadores en  (alto) y  (alto) durante 15 minutos o hasta que el aceite de acabado empiece a generar humo.
9. Apague la parrilla con plancha siguiendo las instrucciones de la sección "Para apagar".
10. Repita los pasos 6 a 9 por lo menos 2 veces más.
11. Siga las instrucciones de la sección "Antes de almacenar".

Reacondicionamiento de la superficie de la plancha de parrilla

12. Si la parrilla con plancha está apagada, enciéndala siguiendo las instrucciones de la sección "Encendido" durante 10 minutos. Apague la parrilla con plancha siguiendo las instrucciones de la sección "Para apagar".
13. Si la parrilla con plancha está encendida, apáguela siguiendo las instrucciones de la sección "Para apagar".
14. Mientras la plancha de la parrilla está todavía tibia, use un raspador o espátula de metal para eliminar la mayor cantidad de corrosión y residuos de comida que pueda de la superficie de la plancha y de las paredes internas y externas.
15. Aplique una buena cantidad de aceite de cocinar sobre la superficie de la plancha de la parrilla.
16. Con una piedra de parrilla, retírelos la superficie de la plancha de la parrilla. Aplique aceite de cocinar adicional según sea necesario.
17. Limpie la superficie de la plancha de la parrilla, las paredes internas y externas con toallas de papel.
18. Repita los pasos 3 a 5 hasta que las toallas de papel no muestren ningún rastro de corrosión.
19. Aplique aceite de acabado sobre la superficie de la plancha de la parrilla, las paredes internas y externas y aplique una capa pareja con toallas de papel enrolladas.
20. Encienda la parrilla con plancha siguiendo las instrucciones de la sección de "Encendido".
21. Mantenga los quemadores en  (alto) y  (alto) durante 15 minutos o hasta que el aceite de acabado empiece a generar humo.
22. Apague la parrilla con plancha siguiendo las instrucciones de la sección "Para apagar".
23. Repita los pasos 7 a 10 hasta que la superficie adquiera un atractivo color oscuro.
24. Siga las instrucciones de la sección "Antes de almacenar".

Registro del producto

Para beneficiar del servicio de garantía más rápidamente, sírvase registrar su unidad inmediatamente llamando al 1.800.694.0013.

Piezas de repuesto

Puede encontrar piezas de repuesto en llame al 1.800.694.0013.

¿Necesita ayuda? Llame al 1.800.694.0013.

No vuelva al lugar de compra.

Para piezas de repuesto
1.800.694.0013

Limpeza y cuidado (continuación)

- Desconecte el tanque de propano de acuerdo con las instrucciones descritas en la sección "Antes de almacenar".
- Retire las rejillas de cocción y las placas de distribución de calor.
- Retire los quemadores, quitando los sujetadores que aseguran los quemadores al fondo de la parrilla con plancha.
- Saque los quemadores, levantándolos y alejándolos del orificio de la válvula de gas.
- Desconecte el alambre del electrodo que produce la chispa.
- Limpe el venturi del quemador usando un cepillo pequeño de limpiar botellas o un chorro de aire comprimido.
- Limpe los residuos y la suciedad de la superficie de los quemadores.
- Limpe orificios que se encuentren obstruidos, usando un alambre firme (tal como un sujetapapeles abieto).
- Inspeccione el quemador para verificar si tiene daños (grietas o perforaciones). Si encuentra daños, sustitúyalo con un nuevo quemador del mismo fabricante.
- Vuelva a instalar los quemadores, verificando que los orificios de la válvula de gas quedan colocados correctamente dentro del venturi de cada quemador. También verifique la posición del electrodo de chispa.
- Conecte el cable para encender el electrodo.
- Vuelva a colocar la plancha de la parrilla.
- Conecte el tanque de propano de acuerdo con las instrucciones descritas en la sección "Instalar el tanque de gas propano líquido".
- Haga una prueba de fugas. Vea la sección "Detección de fugas".

Antes de almacenar

- Cierre la válvula del tanque de gas propano líquido girándola a la posición "CLOSED" (cerrado).
- Gire todas las perillas de control en la dirección de las manecillas del reloj a la posición "APAGADO".

Nota: El ruido de "put" es normal cuando el residuo de gas propano licuado en la línea se ha extinguido.
- Desconecte el tanque de propano de acuerdo con las instrucciones descritas en la sección "Desconectar el tanque de gas propano líquido" y guárdelo en un lugar apropiado.
- Limpe las superficies.
- Cubra con una capa delgada de aceite de cocinar los quemadores para evitar que se oxiden excesivamente.
- Siga las instrucciones descritas en la sección "Preparación de la plancha de la parrilla".
- Si almacena la parrilla con plancha en interiores, desconecte el tanque de gas propano, vea la sección "Desconectar el tanque de gas propano líquido", y deje el tanque de gas propano en EXTERIORES.
- Coloque la tapa protectora y la cubierta en el tanque de gas propano líquido y almacene el tanque en exteriores en un área con buena ventilación y en donde no le caiga la luz solar directamente.
- Si guarda la parrilla con plancha en el interior, cúbrala y guárdela en un lugar fresco y seco.
- Si almacena la parrilla con plancha en exteriores, cubra la parrilla con plancha con una cubierta para parrilla para protegerla contra las inclemencias del tiempo.

Preparación de la plancha de la parrilla

Importante: prepare la plancha cada vez que la use.

Los chefs de parrillas con plancha en restaurantes japoneses de carnes y en restaurantes de pedidos variados y sencillos lo hacen siempre, y es sumamente importante que usted lo haga también. La preparación ayuda a prolongar la vida útil de la plancha de la parrilla, evita la adhesión en la superficie de cocción y ayuda a prevenir la corrosión.

Para obtener más información, sírvase visitar BlueRhino.com/RazorFAQ.

Herramientas necesarias para la preparación:

- Raspador de metal o espátula de metal
- Aceite de cocinar, como aceite vegetal o aceite de oliva extra virgen
- Toallas de papel
- Piedra o lana de acero para parrilla
- Acetie de acabado como acetie de linaza

PRECAUCIÓN: NO use acetie de maíz ya que contiene un nivel elevado de azúcar, la cual puede caramelizarse y quemarse sobre la superficie.

Primer uso

- Encienda la parrilla con plancha siguiendo las instrucciones de la sección de "Encendido".
- Mantenga los quemadores en 🔥 (alto) y 🔥🔥 (alto) durante 15 minutos.
- Apague la parrilla con plancha siguiendo las instrucciones de la sección "Para apagar".
- Deje entrar la parrilla hasta que quede levemente tibia.
- Limpe la superficie de la plancha de la parrilla, las paredes internas y externas con toallas de papel hasta que estén limpias.
- Nota: Al secar, puede notar que la toalla puede presentar cierto cambio de color. Esto es normal.
- Aplique acetie de acabado sobre la superficie de la plancha de la parrilla, las paredes internas y externas y aplique una capa pareja con toallas de papel enrolladas.
- Repita el procedimiento por lo menos dos veces.

Limpeza y cuidado

PRECAUCIÓN:

- Todas la operaciones de limpeza y mantenimiento deben realizarse con la parrilla con plancha fría y con el tanque de propano desconectado.
- NO limpie ninguna pieza de esta parrilla con plancha en un horno de limpeza automática. El calor extremo dañará el terminado.
- NO agrande los orificios de las válvulas ni los orificios de los quemadores al limpiar las válvulas o quemadores.
- PRECAUCIÓN:** Desenchufe el motor del rostitizador del tomacorriente cuando no esté en uso y antes de limpiarlo. Deje que se enfríe antes de colocar o retirar piezas.

Avisos

- Esta parrilla con plancha debe limpiarse y verificarse completamente de manera regular.
- No use productos de limpeza abrasivos pues dañarán este aparato.
- No utilice nunca productos limpiahornos para limpiar cualquier pieza de la parrilla con plancha.

Cada vez que vaya a usar la unidad:

- Mantenga el rededor de la unidad limpio y libre de materiales combustibles, gasolina, y otros líquidos y vapores inflamables.
- No obstruya el flujo aire de combustión del propane líquido ni el aire de ventilación.
- Mantenga la abertura o aberturas de la zona del tanque de gas propano líquido abiertas y libres de basura.

- Visualmente examine la llama del quemador para estar seguro de que la parrilla con plancha está funcionando adecuadamente (vea la Figura 1).
- Vea las secciones para obtener las instrucciones apropiadas de limpeza y preparación.
- Examine y limpie el quemador y los tubos del venturi de insectos y nidos de insectos. Un tubo atascado puede llevar a un incendio debajo de la parrilla con plancha.

Limpeza de las superficies del carrito

- Limpe las superficies con un detergente suave de lavado de platos o con soda de hornear mezclado con agua.

- En superficies de limpeza difícil, use un desengrasador a base de cítricos y un cepillo de nilón.
- Enjuague las superficies con agua limpia.
- Deje las superficies secar al aire libre.

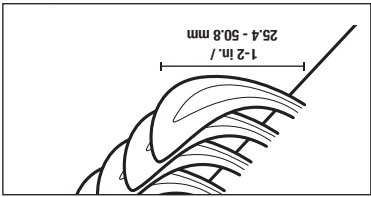
Limpeza de los quemadores principales

PRECAUCIÓN: Se necesitan dos (2) personas para quitar la plancha de la parrilla.

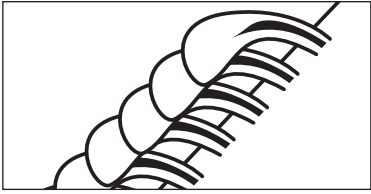
- Cierre la válvula del tanque de gas propano líquido girándola a la posición "CLOSED" (cerrado).

- Gire todas las perillas de control en la dirección de las manecillas del reloj a la posición "APAGADO".

Nota: El ruido de "put" es normal cuando el residuo de gas propano licuado en la línea se ha extinguido.



Normal: Llama de color azul pálido con puntas amarillas de 2,5 a 5 cm de altura



Necesita limpeza: Hace ruido y la llama es de un azul vivo.



Debe limpiarse: La llama es amarilla y ondulante.



Parrilla con plancha de gas propano para exteriores modelo no. 66C1643B

Instrucciones de operación (continuación)

1. Abra las repisas laterales.
2. Asegúrese de que no hay nada que obstruya el flujo de aire en la unidad de gas. Arañas y otros insectos pueden formar sus nidos dentro y obstruir los orificios del quemador/tubo de venturi. Un tubo de quemador obstruido puede provocar un incendio debajo del aparato.
3. Todas las perillas tienen que estar en la posición "APAGADO". Vea la Figura 2.
4. Conecte el tanque de gas propano líquido siguiendo las instrucciones descritas en la sección "Instalar el tanque de gas propano líquido".
5. Coloque la válvula del tanque de gas propano líquido en la posición "OPEN" (abierto).
6. Presione y gire la perilla de control lentamente a la posición (alto) hasta escuchar un clic. Debe encenderse el quemador. Si no se enciende, repita hasta un máximo de tres veces.
7. Si el quemador no se enciende en 5 segundos, gire la perilla de control del quemador a la posición "APAGADO", espere 5 minutos y vuelva a repetir el procedimiento de encendido.
8. En caso de que el encendedor no encienda el quemador, use una cerilla encendida colocada en la vara de encendido que se acompaña para encender los quemadores manualmente. Gane acceso a los quemadores por el espacio entre la rejilla de cocción y las placas de distribución de calor. Acerque la llama de la cerilla al lado del quemador (vea Figuras 4 y 5).

Nota: Cada quemador se enciende independientemente, repita los pasos 5 a 9 para los demás quemadores.

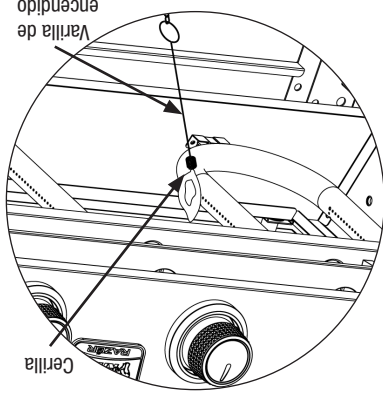


Figura 4

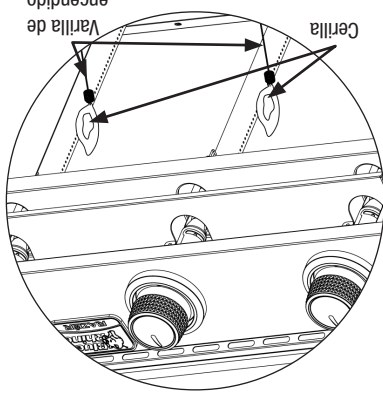


Figura 5

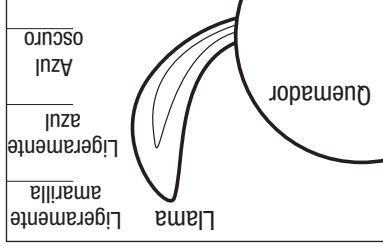


Figura 6

1. Cierre la válvula del tanque de gas propano líquido girándola a la posición "CLOSED" (cerrado).
2. Gire la perilla de control en el sentido de las manecillas del reloj a la posición "APAGADO" (vea Figura 2).
3. Desconecte el tanque de propano de acuerdo con las instrucciones descritas en la sección "Desconectar el tanque de gas propano líquido".

PRECAUCIÓN: Si la llama del quemador se apaga durante el funcionamiento, cierre el gas inmediatamente girando las perillas a la posición "APAGADO". Cierre la válvula del tanque de gas propano líquido girándola a la posición "CLOSED" (cerrado). Abra la tapa durante 5 minutos para dejar que la zona quede despejada de gas antes de volver a encenderlo.

Control de las llamadas

1. En caso de fuego de grasa, gire las perillas a la posición "APAGADO" y cierre la válvula del tanque de gas propano líquido girándola a la posición "CLOSED" (cerrado). Esto puede ocasionar el salpique de la grasa y causar serias quemaduras, lesiones personales y otros daños.
2. No deje la parrilla con plancha sin supervisión al precalentar o quemar residuos de alimentos con la perilla en la posición (alto) o (alto) (alto). Si la parrilla con plancha no ha sido limpiada, puede incendiarse la grasa y dañar la parrilla con plancha.

ADVERTENCIA: Cuando esté usando la parrilla con plancha, debe tener fácilmente a su alcance materiales para extinguir el fuego. En caso de una llamada de aceite o de grasa, no trate de extinguirla con agua. Use un extinguidor de incendio de sustancias químicas secas, tipo BC, o asfíxiele el fuego con tierra, arena o soda de hornear. No intente extinguir con agua.

La llamada es parte de la cocción de carne en una parrilla con plancha y le da al asado un sabor único.

Si se producen llamadas excesivas, NO eche agua a las llamas. (apagado) hasta que la grasa se termine de quemar.

Haga mínimas las llamadas:

1. Retire el exceso de grasa de la carne antes de cocerla.
2. Cuando cueza carnes de alto contenido de grasa, ponga la parrilla con plancha a bajo fuego en la graduación (bajo) o cueza la carne a fuego indirecto.
3. Verifique que la parrilla con plancha ha quedado colocada sobre una superficie no combustible, nivelada y firme, y que la grasa pueda evacuarse hasta el recogedor de grasa.

Operación del quemador de soasar

1. Encienda el quemador siguiendo las instrucciones de la sección "Operación de los quemadores principales".
2. Si el encendedor no enciende el quemador, use una cerilla encendida asegurada con la varilla de encendido (incluida con la parrilla con plancha) para encender los quemadores. Inserte la varilla de encendido a través del agujero lateral del carrito y posicione la cerilla cerca del lado del quemador (Figura 7).
3. El quemador de soasar se activa de (alto) a (alto).
4. Para apagar el quemador de soasar y utilizar el quemador principal, gire la perilla en sentido contrario a las manecillas del reloj a (alto) (Figura 9).
5. Para reducir la llama del quemador principal, siga girando la perilla en sentido contrario a las manecillas del reloj a (Bajo) (Figura 10).

Encendido

1. Coloque la válvula del tanque de gas propano en la posición "CLOSED" (cerrado).
2. Gire todas las perillas de control en sentido de las manecillas del reloj a la posición "APAGADO" (Figura 8).
3. Desconecte el tanque de gas propano siguiendo las instrucciones descritas en la sección "Desconexión del tanque de gas propano".
4. Prepare la plancha de la parrilla siguiendo las instrucciones descritas en la sección "Preparación de la plancha de la parrilla".

Control de las llamadas

1. En caso de fuego de grasa, gire las perillas a la posición "APAGADO" y cierre la válvula del tanque de gas propano líquido girándola a la posición "CLOSED" (cerrado).
2. No deje la parrilla con plancha sin supervisión al precalentar o quemar residuos de alimentos con la perilla en la posición (alto) o (alto) (alto). Si la parrilla con plancha no ha sido limpiada, puede incendiarse la grasa y dañar la parrilla con plancha.

ADVERTENCIA: Cuando esté usando la parrilla con plancha, debe tener fácilmente a su alcance materiales para extinguir el fuego. En caso de una llamada de aceite o de grasa, no trate de extinguirla con agua. Use un extinguidor de incendio de sustancias químicas secas, tipo BC, o asfíxiele el fuego con tierra, arena o soda de hornear. No intente extinguir con agua.

La generación excesiva de llamadas puede recocer su comida y resultar peligroso.

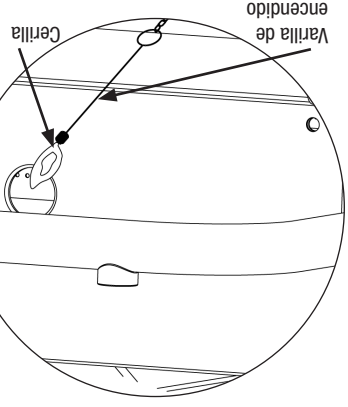


Figura 7



Figura 8



Figura 9



Figura 10

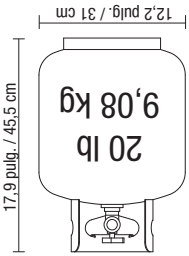
? Necesita ayuda? Llame al 1.800.694.0013.

Para piezas de repuesto 1.800.694.0013

Instalación del tanque de gas propano líquido

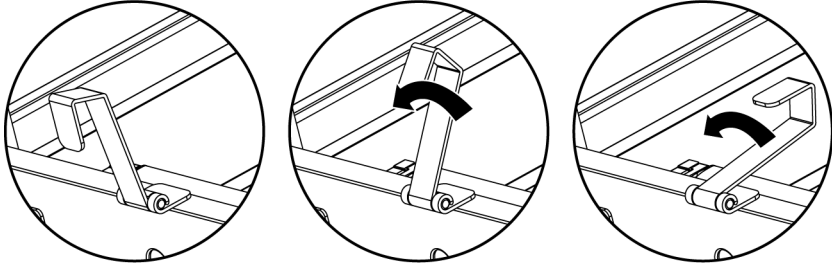
- ▲ **PRECAUCIÓN: El tanque de gas propano líquido debe desconectarse correctamente y retirarse antes de mover esta parrilla con plancha.**

Para operar la parrilla con plancha usted necesitará un (1) tanque de gas propano líquido para parrilla con plancha estándar llenado con precisión con válvula rosca externa.

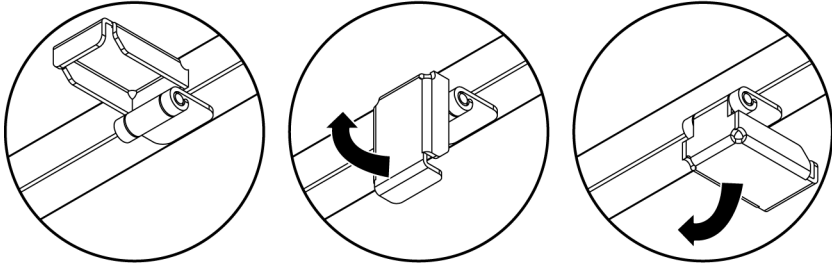


Cómo insertar y asegurar el tanque de gas propano

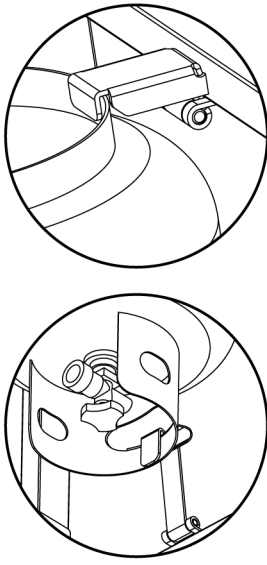
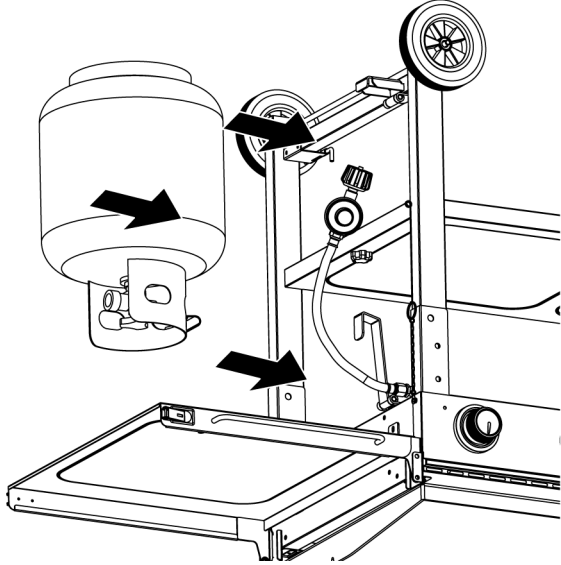
1. Despliegue el soporte superior del tanque de gas propano.



2. Despliegue el soporte inferior del tanque de gas propano.

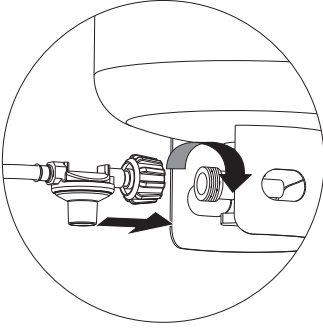


3. Coloque el tanque de gas propano llenado a precisión en forma vertical sobre el soporte superior y el soporte inferior de manera que la válvula del tanque esté orientada hacia la conexión de la línea de gas.



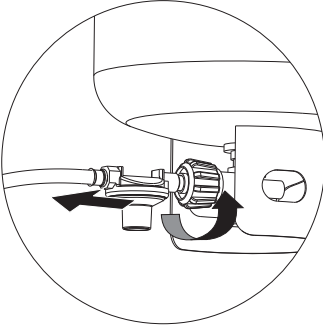
Conectar el tanque de gas propano líquido

1. Asegúrese de que las perillas de control están en la posición "APAGADO". Vea la Figura 2.
2. Antes de conectar el tanque, asegúrese de que los orificios/puertos del quemador, están libres de cualquier suciedad.
3. Conecte el regulador y su manguera al tanque girando la perilla en la dirección de las manecillas del reloj hasta su límite.
4. Haga una prueba de fugas. Vea la sección "Inspección de fugas."



Desconectar el tanque de gas propano líquido

1. Asegúrese de que las perillas de control están en la posición "APAGADO". Vea la Figura 2.
2. Antes de desconectar el tanque, asegúrese de que la válvula del tanque de gas propano líquido está en la posición "CLOSED" (cerrado)
3. Desconecte el regulador y su manguera del tanque girando la perilla en la dirección contraria a las manecillas de reloj hasta que esté floja.
4. Coloque la tapa protectora y la cubierta de gas propano líquido y almacénelo en un área con buena ventilación y en donde no le caiga la luz solar directamente.



- ▲ **PRECAUCIÓN: El tanque de gas propano líquido debe desconectarse correctamente y retirarse antes de mover esta parrilla con plancha.**

Instrucciones de operación

Detección de fugas

1. Asegúrese de conectar adecuadamente la válvula del regulador y su manguera al quemador y al tanque.

2. Si alguien armó la unidad para usted, verifique visualmente la conexión entre el tubo del quemador y el orificio.

3. Asegúrese de que el tubo del quemador encaja sobre el orificio.

- ▲ **ADVERTENCIA: El no inspeccionar esta conexión o seguir debidamente estas instrucciones puede causar incendio o explosión ocasionando muerte, graves lesiones o daños a la propiedad.**

4. Por favor, consulte el diagrama para llevar a cabo correctamente la instalación (Figura 1).

5. Si el tubo del quemador / tubo de venturi del quemador no queda a ras con el orificio, por favor llame al 1.800.694.0013.

Conexión de la línea de gas y del tanque

1. Prepare unos 80 ml de solución para comprobar si hay fugas mezclando una parte de jabón líquido para lavar platos y tres partes de agua.

2. Asegúrese de que las perillas de control están en la posición "APAGADO". Vea la Figura 2.

3. Conecte el tanque de gas propano líquido siguiendo las instrucciones descritas en la sección "Instalar el tanque de gas propano líquido".

4. Coloque la válvula del tanque de gas propano líquido en la posición "OPEN" (abierto).

5. Aplique con una cuchara varias gotas de la solución, o use un trasco rociador, en todas las ubicaciones marcadas con "X" (vea Figuras 1 y 3).

- a. Si en cualquier punto aparecen burbujas, cierre el gas girando la válvula del tanque de propano a la posición "CLOSED" (cerrado), vuelva a conectar y verifique nuevamente.

- b. Si las burbujas continúan apareciendo después de varios ensayos, cierre el gas girando la válvula del tanque de propano a la posición "CLOSED" (cerrado), desconecte el tanque de propano de acuerdo con las instrucciones descritas en la sección "Desconectar el tanque de gas propano líquido" y llame al teléfono 1.800.694.0013 para obtener ayuda.

- c. Si no aparecen burbujas por un lapso de un minuto, cierre el gas girando la válvula del tanque de propano a la posición "CLOSED" (cerrado) y limpie la solución para continuar el proceso.

Operación de los quemadores principales

Uso por primera vez

1. Verifique que todos los empaques, etiquetas y envolturas de protección han sido removidos de la plancha de la parrilla con plancha.
2. Encienda la parrilla con plancha siguiendo las instrucciones descritas en la sección "Encendido".
3. Retire todo aceite de fabricación que encuentre en la unidad antes de usar la parrilla con plancha por primera vez, encendiendo la parrilla con plancha por lo menos por 15 minutos en la graduación (alto), con la tapa cerrada. Esto realizará una "limpieza por calor" en las piezas internas de la unidad y hará que los olores se disipen.
4. Prepare la plancha de la parrilla siguiendo las instrucciones descritas en la sección "Preparación de la plancha de la parrilla".

Encendido

- ▲ **PRECAUCIÓN: Mantenga el área del aparato de cocción para exteriores limpia y libre de materiales combustibles, gasolina y otros líquidos y vapores inflamables.**
- ▲ **PRECAUCIÓN: No obstruya el flujo de aire de ventilación y combustión.**
- ▲ **PRECAUCIÓN: Revise y limpie el quemador/tubos venturi para eliminar los insectos y nidos de insectos. Un tubo obstruido puede causar un incendio debajo de la parrilla con plancha.**
- ▲ **PRECAUCIÓN: NO use rociadores de aceite antiadhérente para cocinar ya que contienen bastante agua y pueden quemarse sobre la parrilla con plancha y dañar la superficie.**
- ▲ **PRECAUCIÓN: NO use aceite de maíz ya que contiene un nivel elevado de azúcar, la cual puede caramelizarse y quemarse sobre la superficie.**

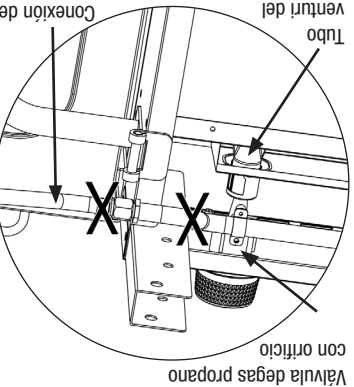


Figura 1

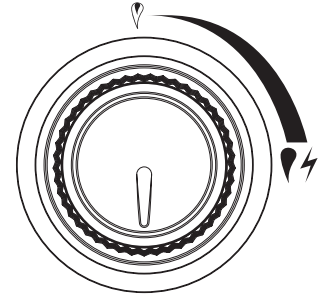


Figura 2

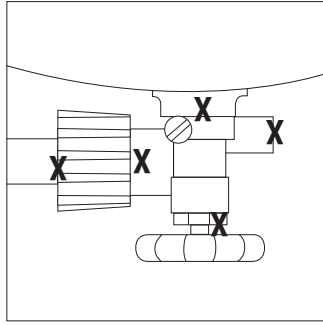


Figura 3

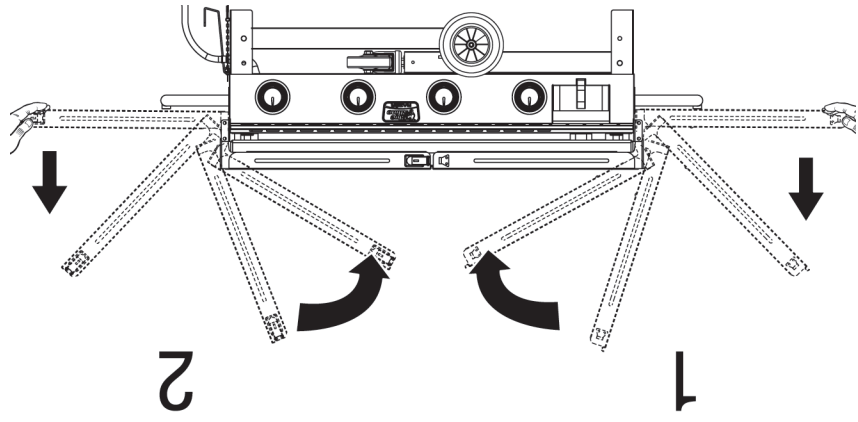


Instrucciones de la unidad para su transporte o almacenamiento (continuación)

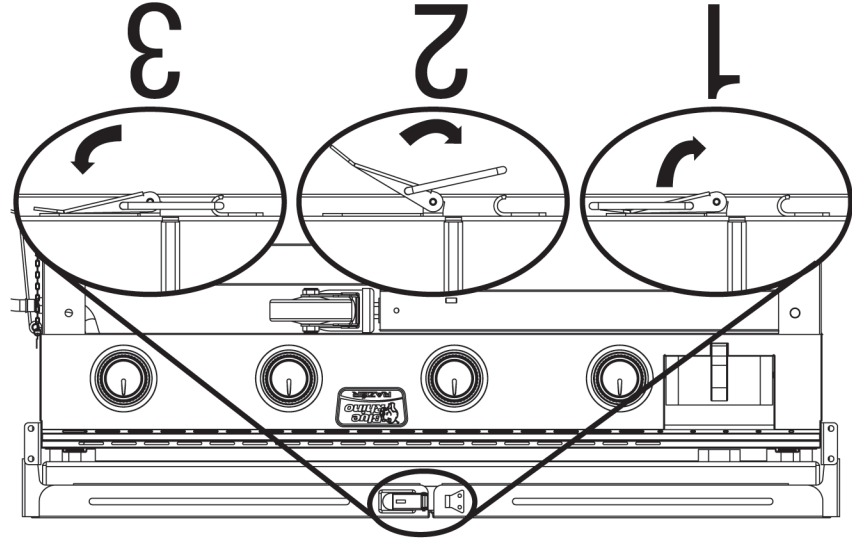
9

Cierre las repisas laterales

▲ **PRECAUCIÓN:** Sujete firmemente las repisas laterales cuando cierre la repisa del lado izquierdo primero, luego cierre la del lado derecho. las cierre. NO las suelte hasta que estén completamente cerradas.

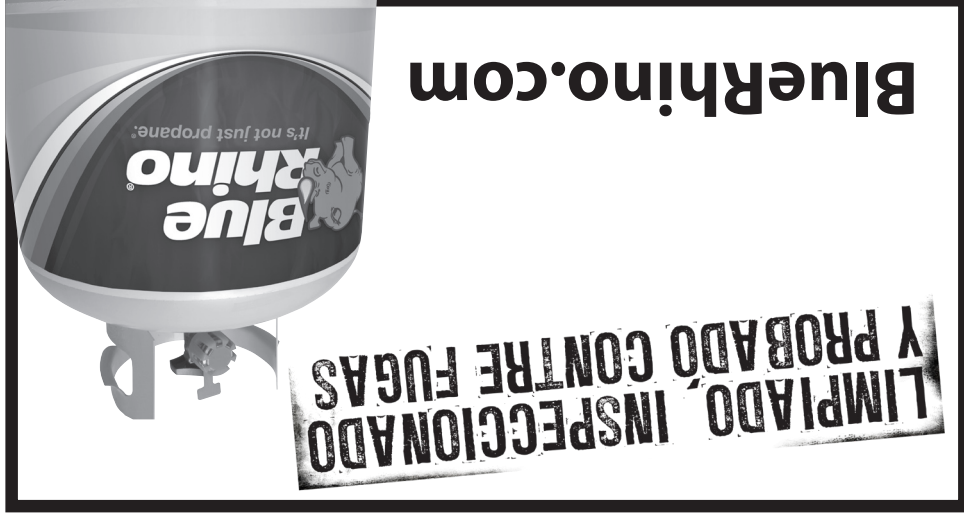
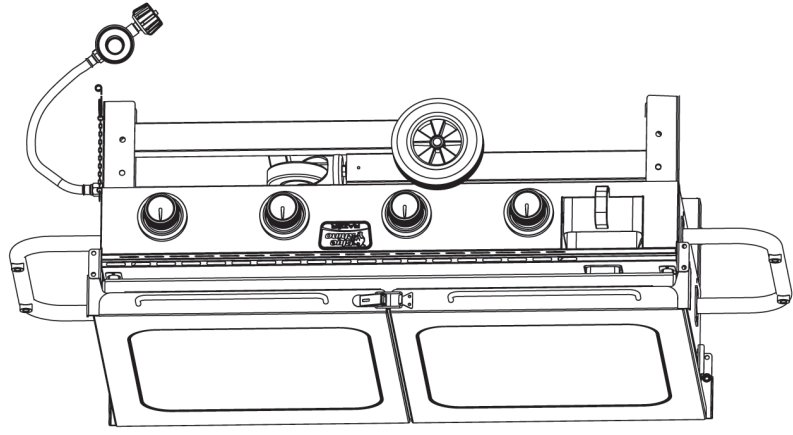


Destabe las repisas laterales



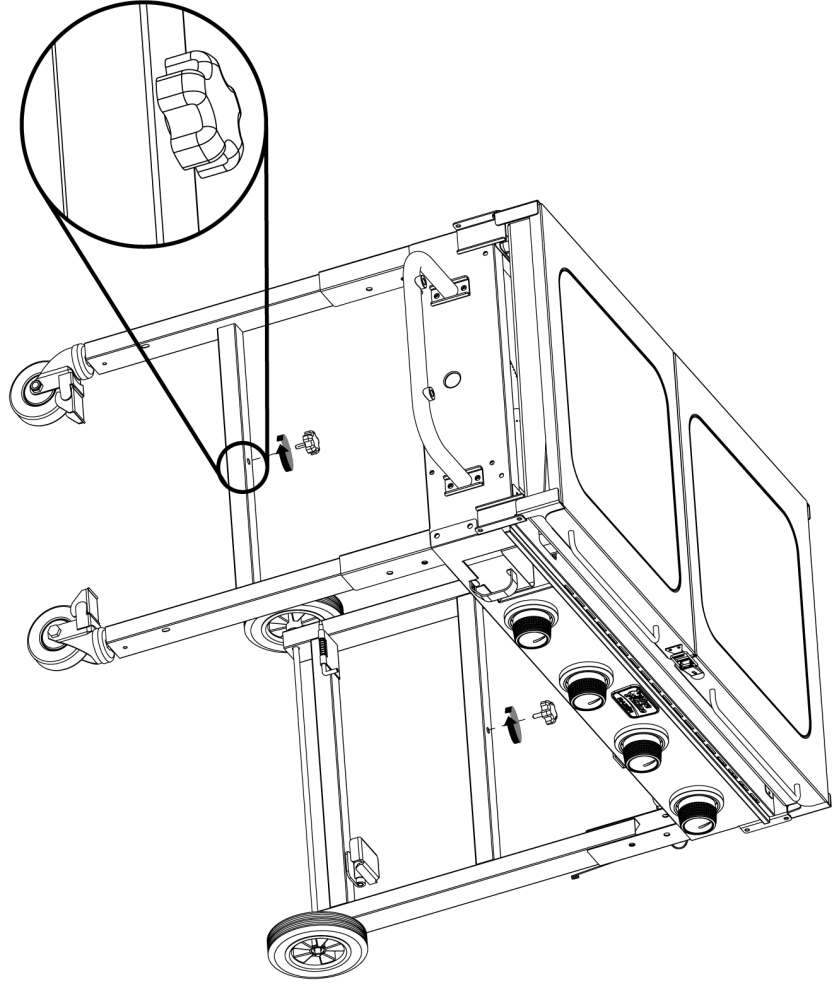
10

La parrilla con plancha está lista para su transporte o almacenamiento



5

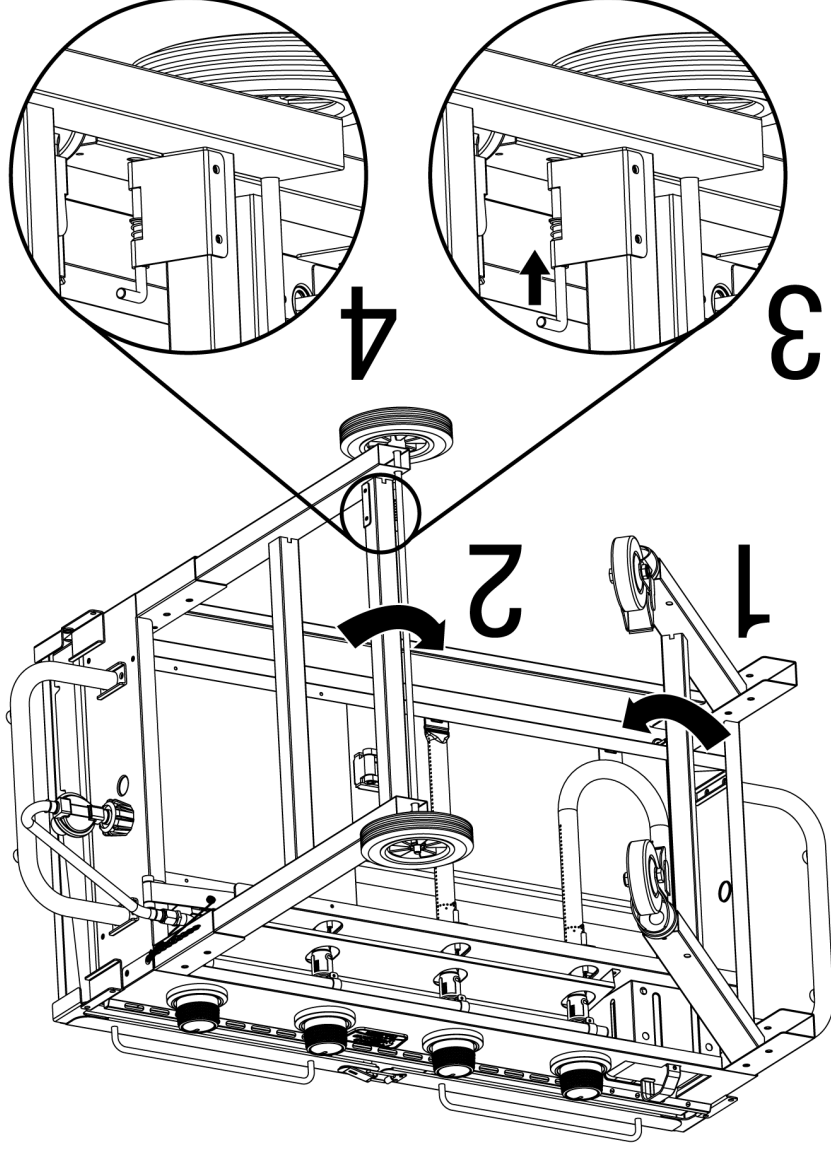
Acople los tornillos de la repisa inferior



6

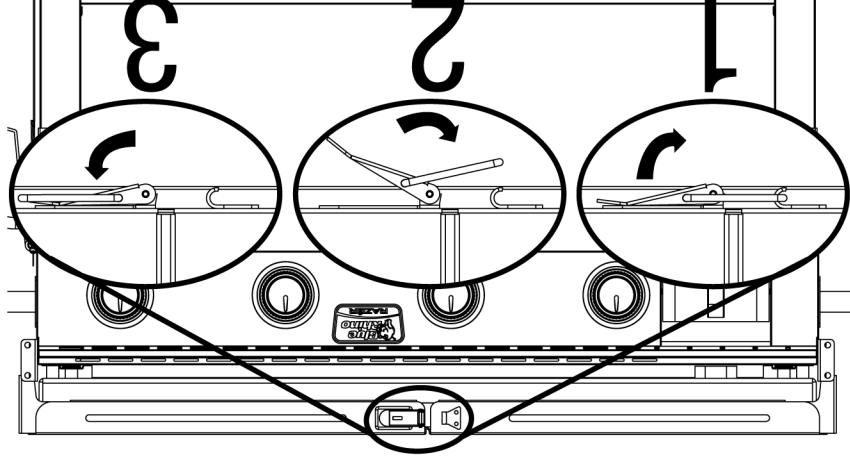
Cierre las patas

Nota: Cierre las patas izquierdas primero.



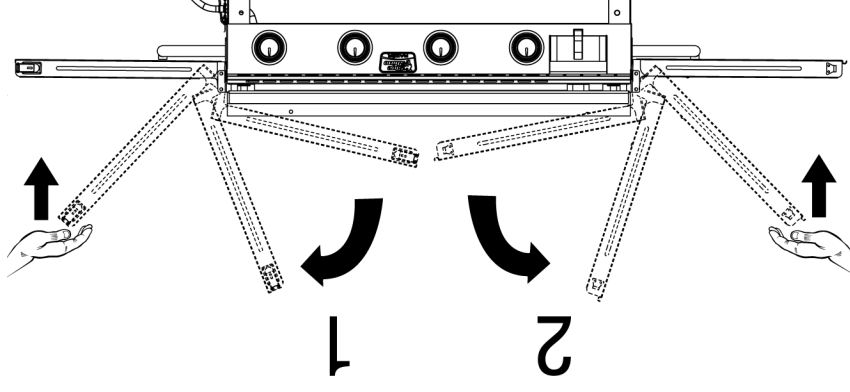
7

Destabe las repisas laterales



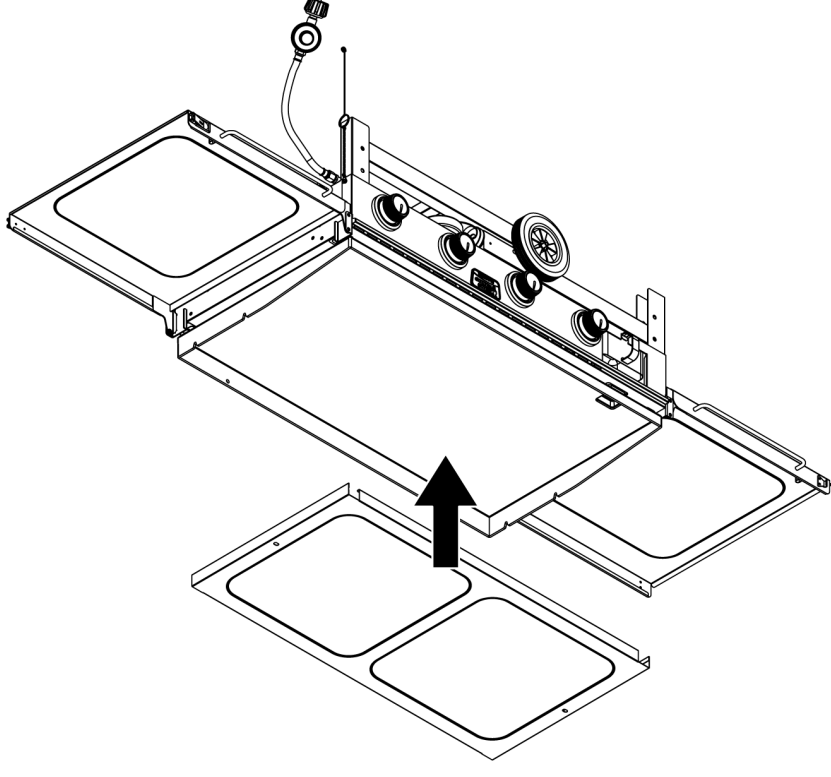
Abra las repisas laterales

Abra la repisa del lado derecho primero, luego la del lado izquierdo. Asegúrese de empujar completamente hacia abajo las repisas laterales. **Nota:** Los resortes de apoyo pueden hacer que las repisas laterales NO se asienten completamente alineadas con las manijas laterales.
PRECAUCIÓN: Sujete firmemente las repisas laterales cuando las abra. **NO** las suelte hasta que estén completamente extendidas.
PRECAUCIÓN: El peso máximo de la repisa es de 33 libras (15 kilos).



8

Coloque la repisa inferior



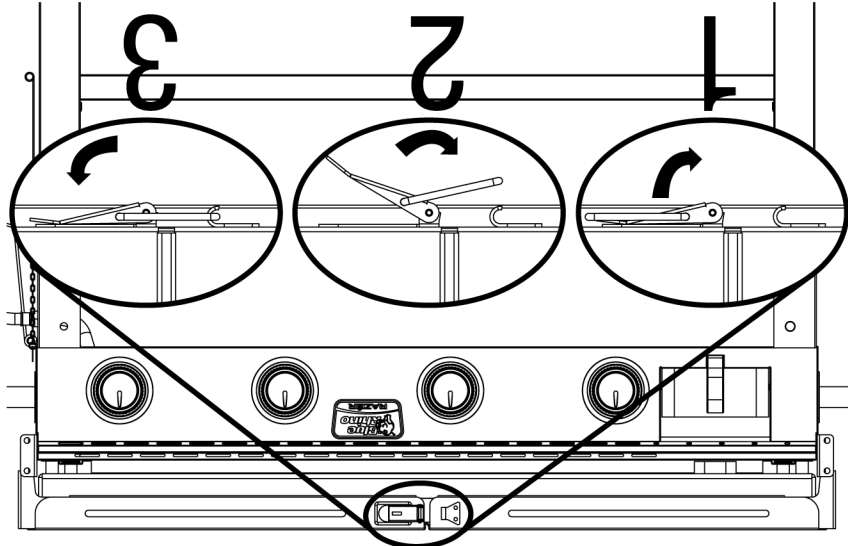


Instrucciones de la unidad para su transporte o almacenamiento

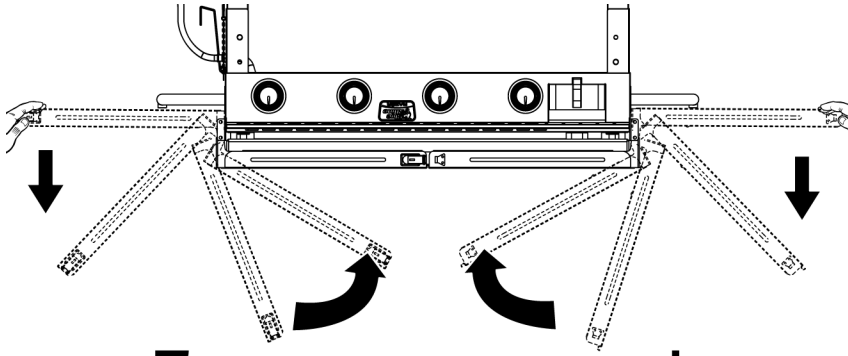
ADVERTENCIA: Antes de transportar o guardar la parrilla con plancha:

- a. Siempre prepare la plancha de la parrilla siguiendo las instrucciones descritas en la sección "Preparación de la plancha de la parrilla".
 - b. Siempre limpie la plancha de la parrilla siguiendo las instrucciones de la sección "Instrucciones de limpieza".
 - c. Siempre espere hasta que la plancha de la parrilla esté fría.
 - d. Siempre apague la parrilla con plancha siguiendo las instrucciones de la sección "Para apagar".
 - e. Siempre desconecte el tanque siguiendo las instrucciones de la sección "Para desconectar el tanque de gas propano".
 - f. Siempre vacíe y deseché apropiadamente el contenido del recipiente para grasa.
- ADVERTENCIA:** Al transportar o guardar esta unidad, siempre siga las instrucciones que se indican en esta sección.
- PRECAUCIÓN:** Puede necesitarse dos (2) personas para preparar la unidad para su transporte y/o almacenamiento.

1



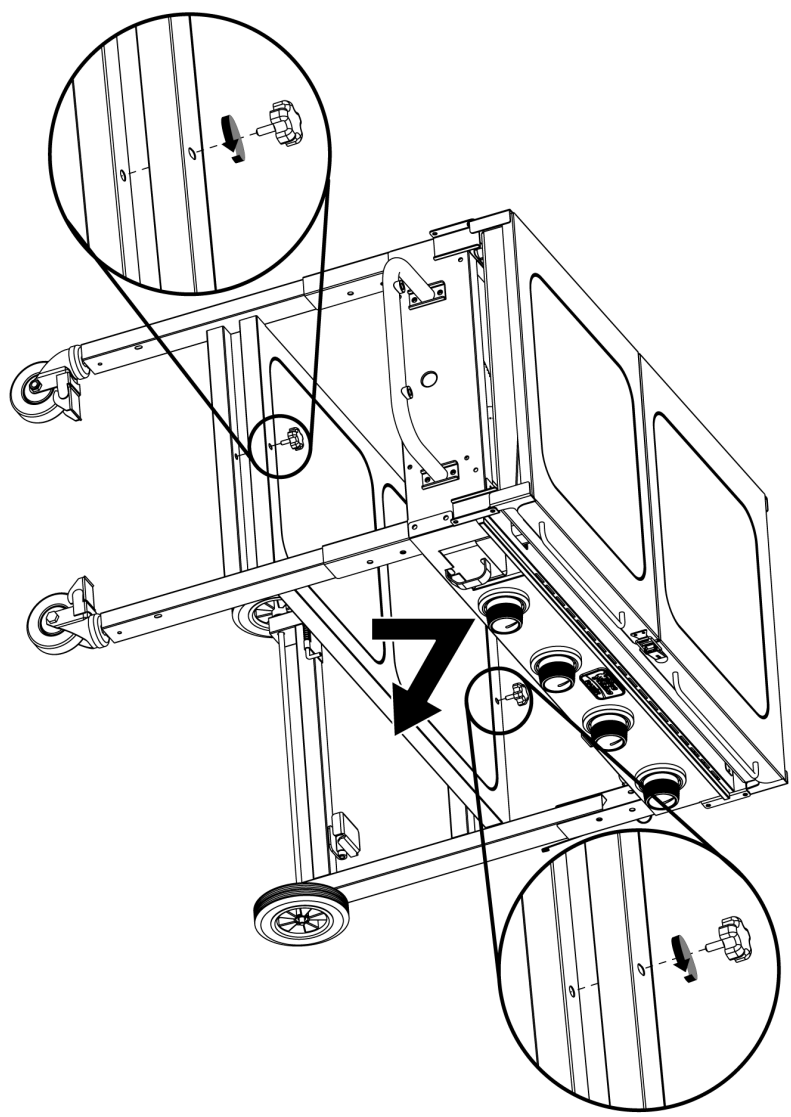
Destrabe las repisas laterales



Cierre las repisas laterales

PRECAUCIÓN: Sujete firmemente las repisas laterales cuando las cierre. NO las suelte hasta que estén completamente cerradas.

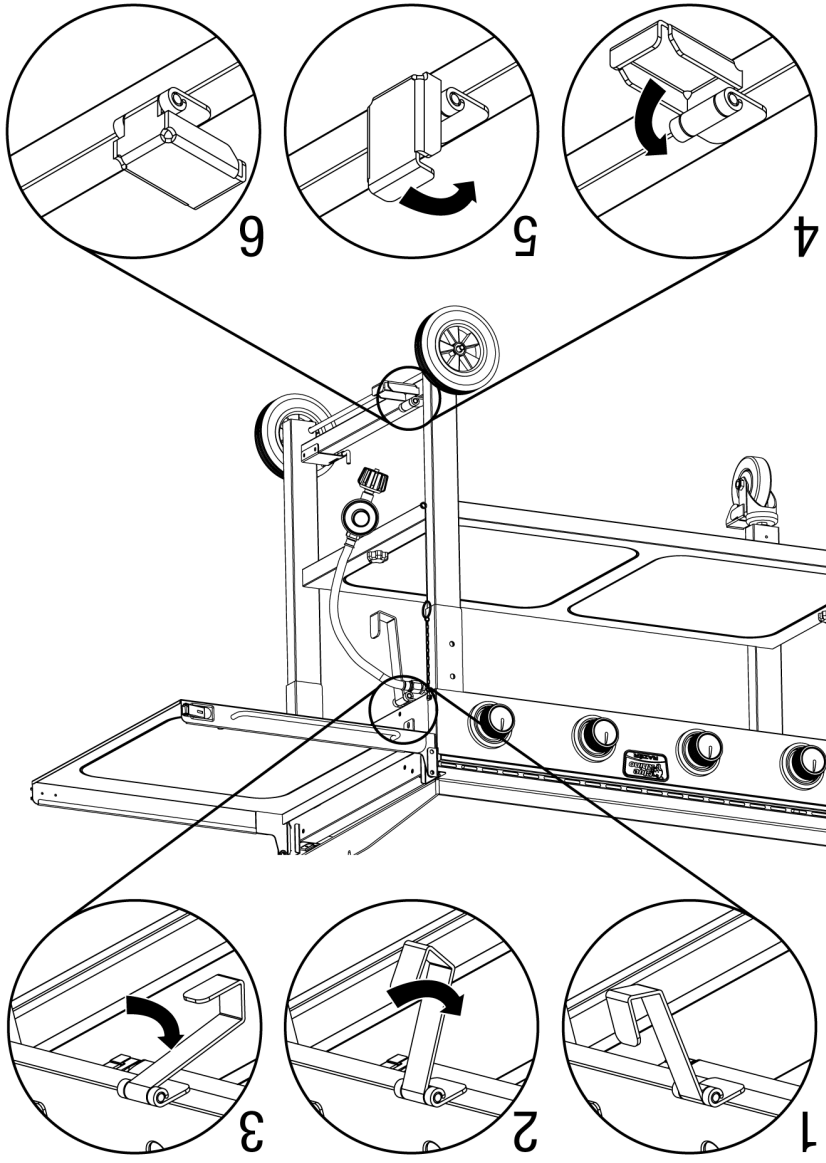
3



PRECAUCIÓN: Se necesitan dos (2) personas para colocar la parrilla con plancha sobre uno de sus lados.

Retire la repisa inferior

4



Asegure los soportes del tanque de gas propano

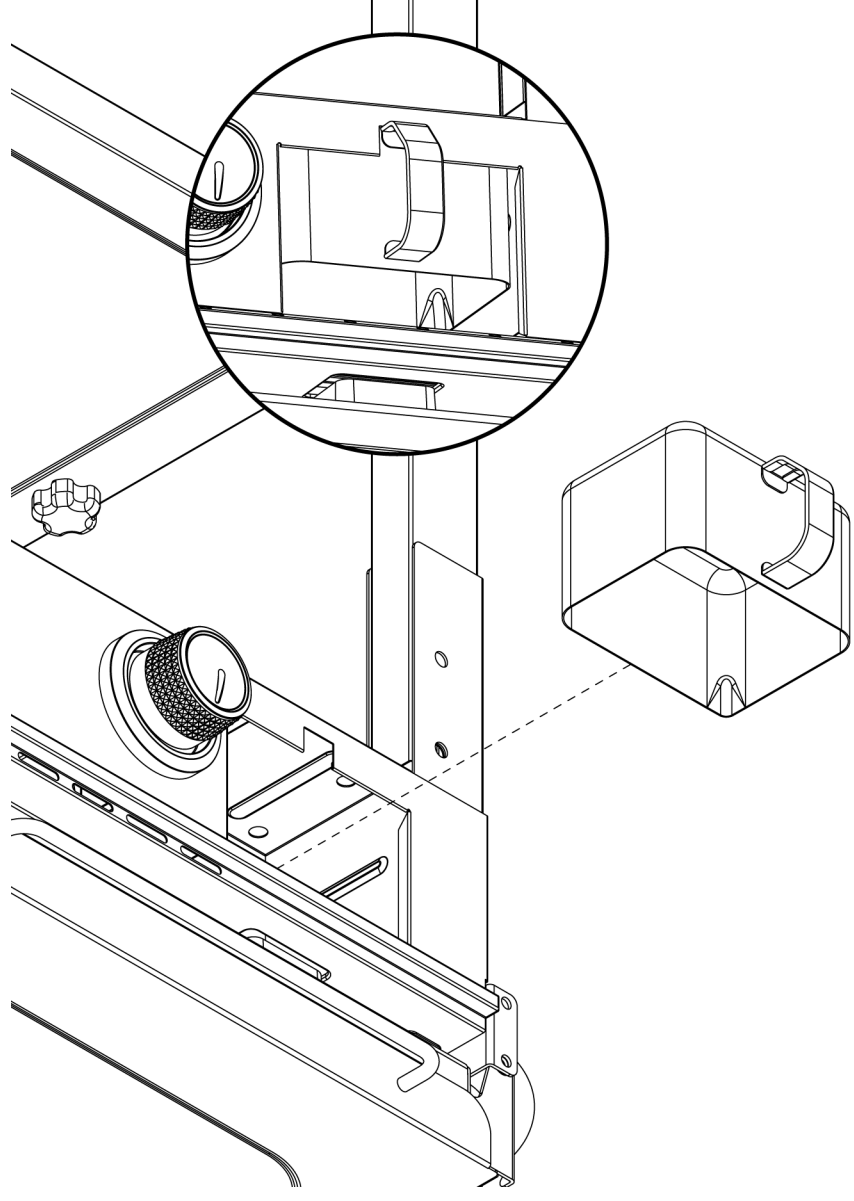
2

?Necesita ayuda? Llame al 1.800.694.0013.

**Para piezas de repuesto
1.800.694.0013**

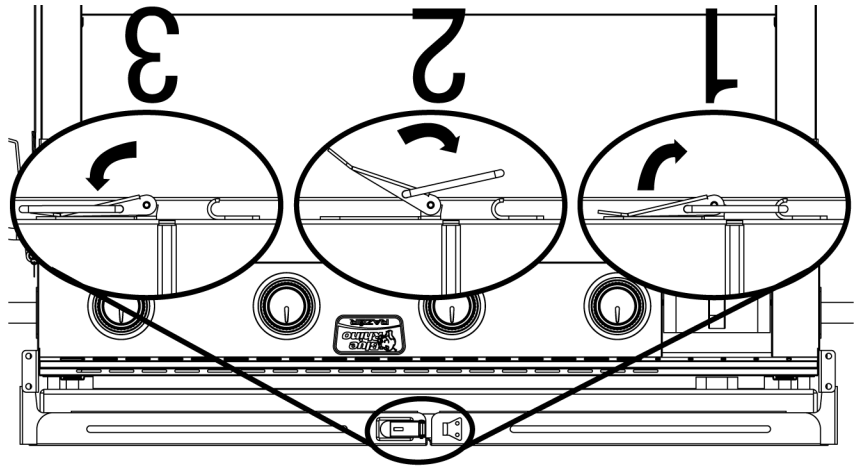
9

Inserte el recipiente para grasa



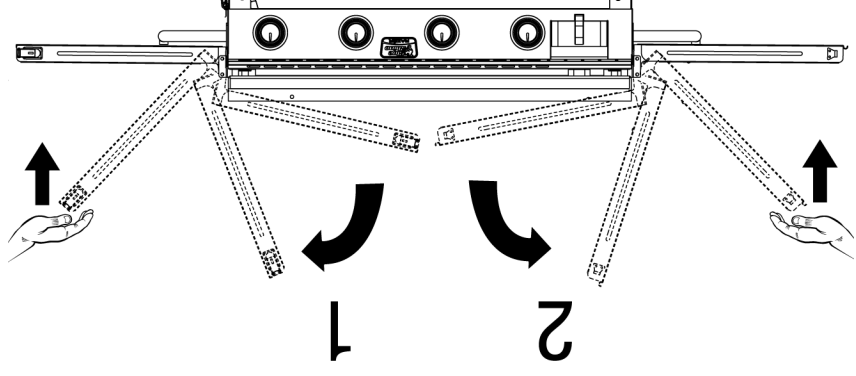
10

Destrabe las repisas laterales



Abra las repisas laterales

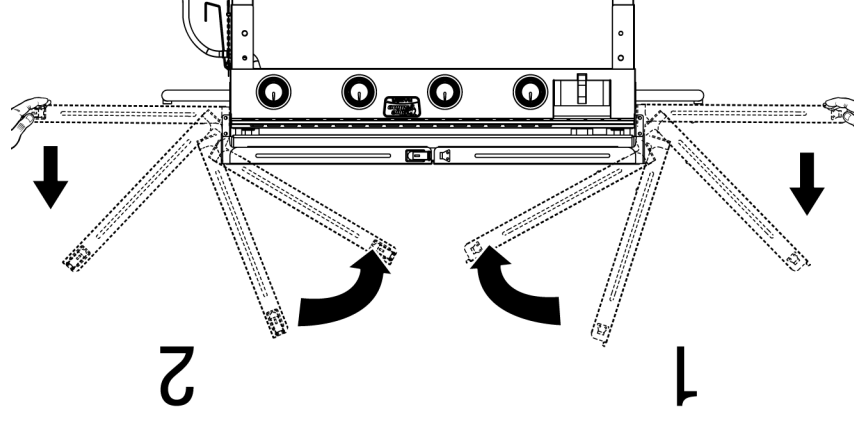
Abra la repisa del lado derecho primero, luego la del lado izquierdo. Asegúrese de empujar completamente hacia abajo las repisas laterales.
Nota: Los resortes de apoyo pueden hacer que las repisas laterales NO se asienten completamente alineadas con las manijas laterales.
▲ **PRECAUCIÓN:** Sujete firmemente las repisas laterales cuando las abra. NO las suelte hasta que estén completamente extendidas.
▲ **PRECAUCIÓN:** El peso máximo de la repisa es de 33 libras (15 kilos).



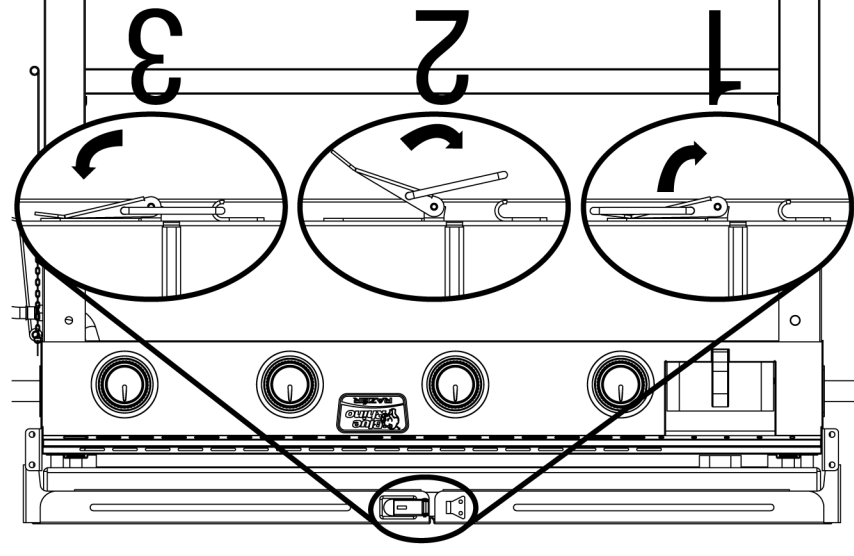
11

Cierre las repisas laterales

Cierre la repisa del lado izquierdo primero, luego cierre la del lado derecho.
▲ **PRECAUCIÓN:** Sujete firmemente las repisas laterales cuando las cierre. NO las suelte hasta que estén completamente cerradas.



Asegure las repisas laterales



IMPORTANTE
Después de usar la plancha por primera vez y luego después de cada uso, siempre prepare la superficie siguiendo las instrucciones del "parrilla".



Instrucciones de armado (continuación)

5

Instale los ruedas

B x 2

Hacia dentro

6

Abra las patas

▲ PRECAUCIÓN: Se necesitan dos (2) personas para colocar la parrilla con plancha sobre uno de sus lados.

Nota: Abra las patas derechas primero.

1

2

3

4

7

Instale la repisa inferior

8

Instale las asas laterales e inserte las perillas de control
▲ PRECAUCIÓN: Se necesitan dos (2) personas para volver a parar la parrilla con plancha.

A x 8

? Necesita ayuda? Llame al 1.800.694.0013.

No vuelva al lugar de compra.

Para piezas de repuesto
1.800.694.0013

NO DEVUELVA EL PRODUCTO AL LUGAR DE

COMPRA.

Si necesita ayuda llame, sin cargo, al **1.800.694.0013**. Por favor tenga a mano su manual y el modelo número de la unidad, para referencia.

Nota: El número o lateral del modelo se encuentra en la parte trasera o lateral el carro.

Para facilitar el armado:

1. Elija el lugar en el que armará este producto. Para proteger los componentes, elija una superficie lisa, sin fisuras ni hendijas.

2. Presente todas las piezas.

3. Ajuste todas las conexiones de los elementos de ferreteria,

- primero en forma manual. Luego, después de completar cada

- paso, ajústelos por completo. Tenga cuidado de no ajustar

- demasiado. Se podrían dañar las superficies o forzar las

- rosca.

4. Para obtener mejores resultados, siga todos los pasos en el

orden indicado.

Para terminar el armado de la unidad necesitará:

- una (1) solución para detección de fugas. Las instrucciones sobre cómo preparar esta solución se encuentran en la sección "Instrucciones de operación".

- un (1) un tanque de gas propano líquido, para Parrilla con

- plancha, llenado con precisión y con rosca externa Acme Tipo

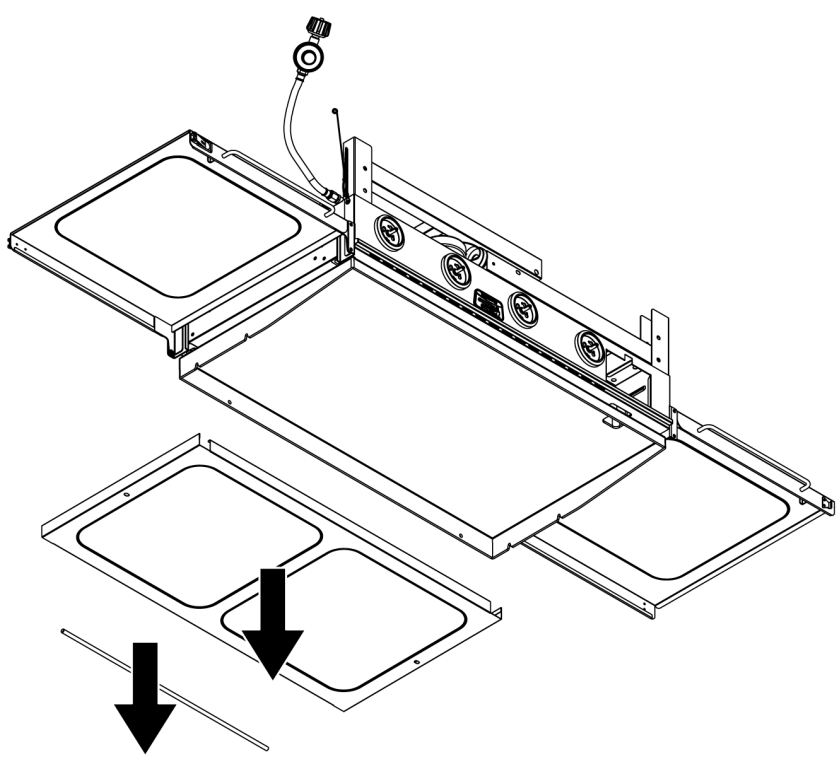
- 1 para conexión de válvula (non incluidas).

Tiempo de armado estimado: una hora

▲ PRECAUCIÓN: Se puede necesitar dos (2)

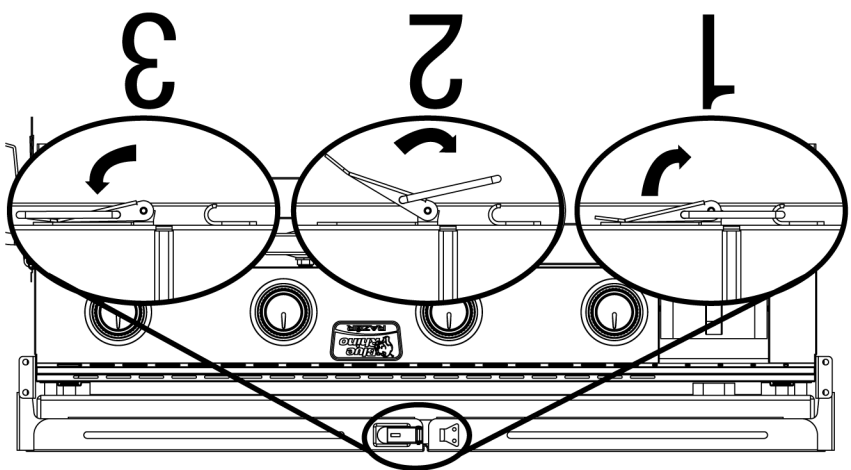
personas para el armado.

1



Retire la repisa interior y la eje

3



Destabe las repisas laterales

2

Abra las repisas laterales

Abra la repisa del lado derecho primero, luego la del lado izquierdo. Asegúrese de

empujar completamente hacia abajo las repisas laterales.

Nota: Los resortes de apoyo pueden hacer que las repisas laterales NO se asienten

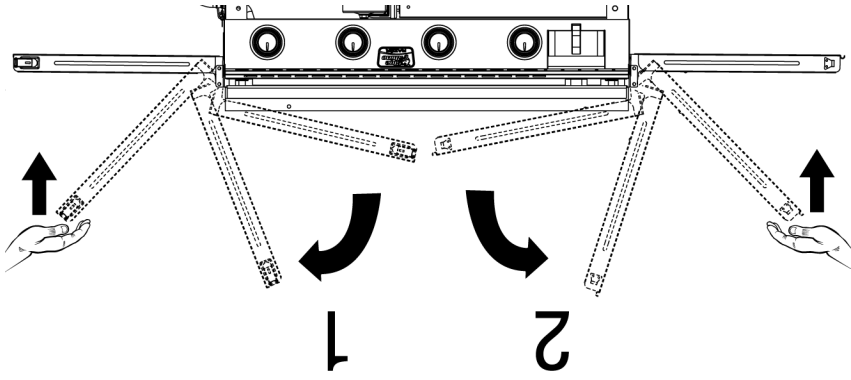
completamente alineadas con las manijas laterales.

▲ **PRECAUCIÓN: Sujete firmemente las repisas laterales cuando las**

abra. NO las suelte hasta que estén completamente extendidas.

▲ **PRECAUCIÓN: El peso máximo de la repisa es de 33 libras**

(15 kilos).



Cierre las repisas laterales

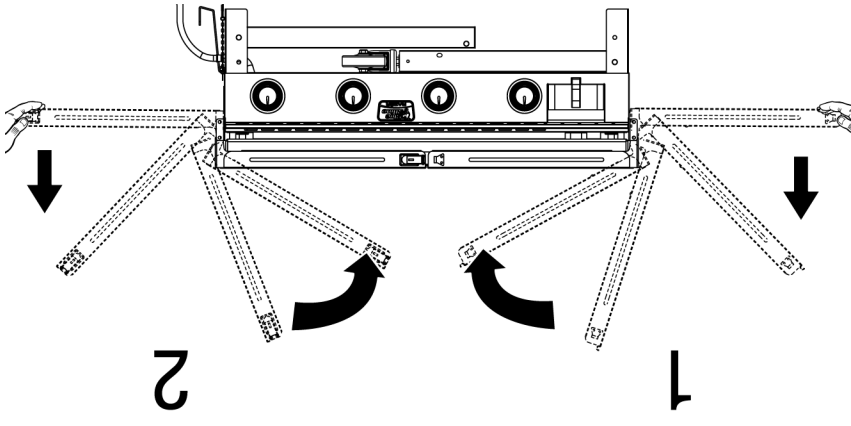
4

Cierre la repisa del lado izquierdo primero, luego cierre la del lado derecho.

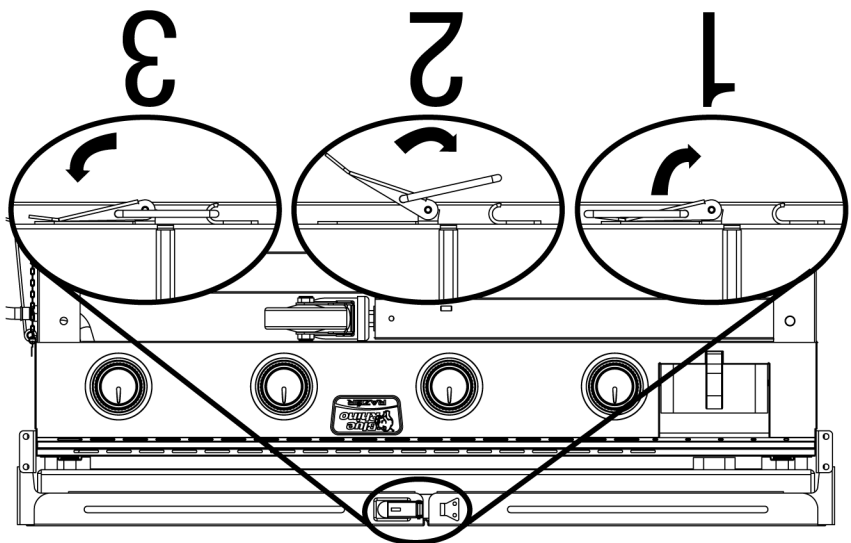
▲ **PRECAUCIÓN: Sujete firmemente las repisas laterales cuando**

las cierre. NO las suelte hasta que estén completamente

cerradas.



Destabe las repisas laterales



Lista de piezas

1	Plancha de la parrilla*	G1643-010
2	Repisa izquierda*	G1643-020
3	Barra para toalla (2)*	G1643-030
4	Quemador en forma de U*	G1643-040
5	Quemador (3)*	G1643-050
6	Ensamble de la estructura de la plancha de la parrilla con plancha*	G1643-060
7	Repisa derecha*	G1643-070
8	Bisel de parrilla de control principal (3)*	G1143-090
9	Bisel de la parrilla del quemador de soasar*	G1143-091
10	Placa de marca*	B0109-BR0
11	Ruedas con seguro (2)*	G1643-080
12	Lado izquierdo de la estructura del carrito*	G1643-090
13	Lado derecho de la estructura del carrito*	G1643-100
14	Asa lateral (2)	G1643-110
15	Perilla de control (4)	G0850-G23
16	Recogedor de grasa	G1643-120
17	Regulador y manguera*	B0308-A18
18	Varilla de encendido*	B0223-D04
19	SopORTE superior para el tanque de gas propano †	G1643-130
20	Seguro para las patas*	G1643-140
21	SopORTE inferior para el tanque de gas propano †	G1643-150
22	Rueda (2)	G1643-160
23	Repisa interior	G1643-170
24	Seguro A de repisa lateral (2)* †	B0107-E05
25	Seguro B de repisa lateral (2)* †	B0107-I09
26	Tornillo de repisa interior (2)	G1643-180
27	Eje	G1643-190
28	Protector térmico del tanque de gas propano*	G1643-200

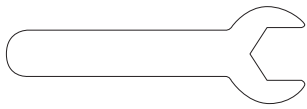
*Viene ensamblado

† No se puede reemplazar

Elementos de ferretería

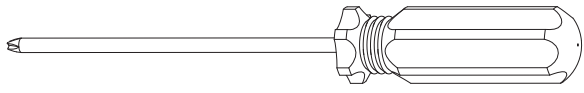
A	Tornillo	Niquelado, de cabeza Phillips abombada, M6x16	8 pzs
B	Tuerca	Niquelada, M10	2 pzs

Llave inglesa M10



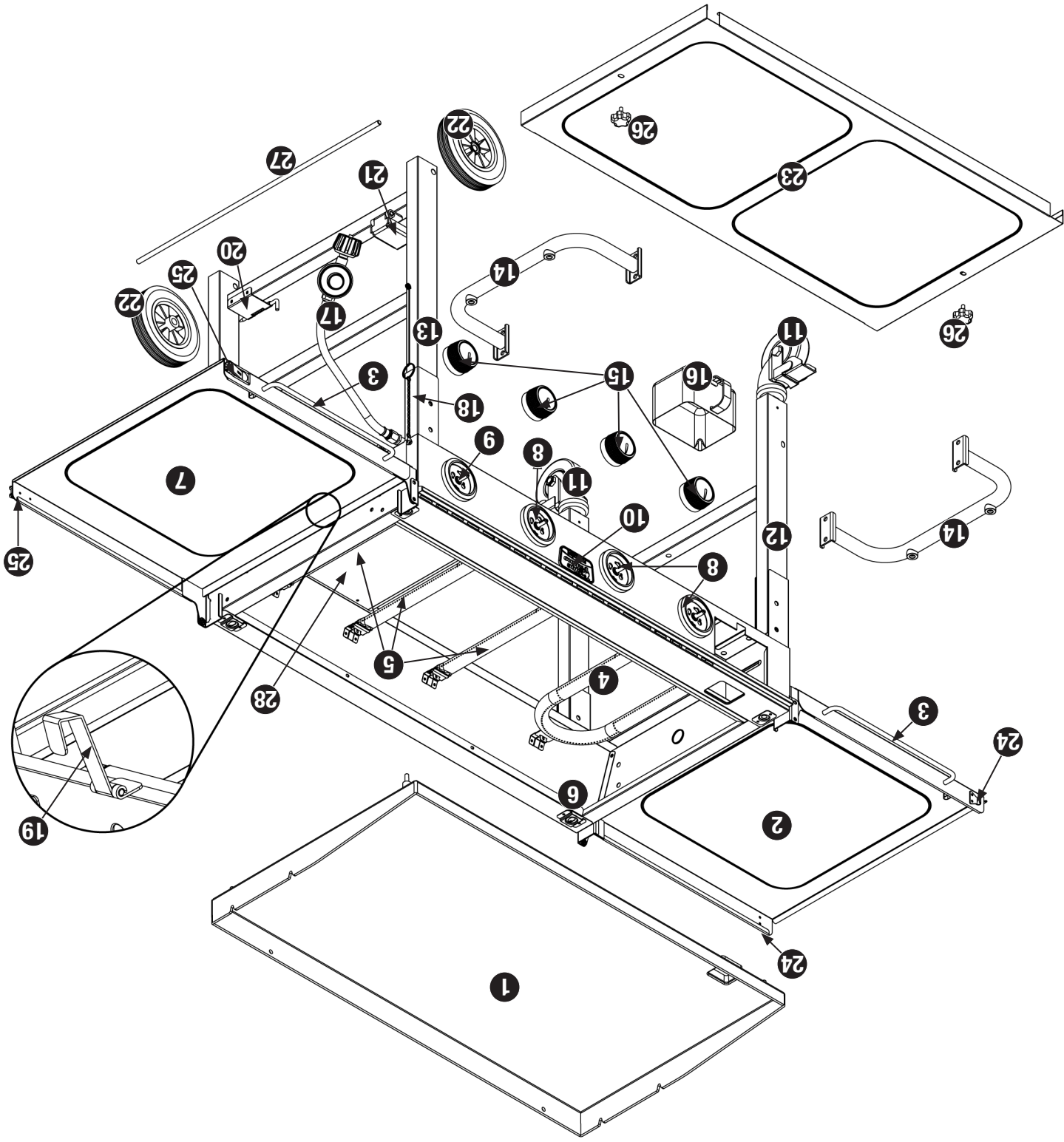
2 pzs

Destornillador en cruz (Phillips) no. 2



1 pz

Herramientas necesarias para el armado (Incluidas)



Despiece

- ▲ NO utilice la parrilla con plancha a menos que esté **COMPLETAMENTE** montada y que todas las piezas estén bien fijadas y apretadas.
- ▲ NO instale este modelo de parrilla con plancha en ninguna construcción empotrada o que requiera deslizamiento interior. Ignorar esta advertencia podría provocar un incendio o una explosión y causar daños materiales así como lesiones corporales graves o la muerte.
- ▲ Esta parrilla con plancha de gas debe limpiarse y verificarse completamente de manera regular.
- ▲ Limpie y revise la manguera antes de cada uso del aparato. Si detecta alguna señal de abrasión, desgaste, cortes o fugas, deberá sustituir la manguera antes poner en marcha el aparato.
- ▲ Utilice únicamente el regulador y el conjunto de manguera incluido. El regulador de repuesto y el conjunto de manguera de repuesto serán los especificados por Revolve Inc. Limited
- ▲ Use únicamente piezas autorizadas de fábrica de Revolve Inc. Limited. El uso de cualquier pieza no autorizada de fábrica puede ser peligroso. Su uso invalida su garantía.
- ▲ NO encienda esta unidad sin haber leído las "Instrucciones de operación" que se encuentran en este manual.
- ▲ NO toque las piezas de metal de la parrilla con plancha hasta que no se haya enfriado completamente (alrededor de 45 minutos) para evitar quemaduras, a menos que usted tenga puestos elementos de protección tales como guantes o almohadilla para las ollas, guantes de barba, etc.
- ▲ NO instalar o utilizar en embarcaciones o vehículos recreativos.
- ▲ Cuando esté cocinando, tenga fácilmente accesibles los elementos para extinguir un incendio. En caso de que la sustancia de freír se incendie no trate de extinguir el fuego con agua. Use un extinguidor de material químico seco tipo BC o ahogue el fuego con tierra, arena o soda de hornear.
- ▲ NO utilice la parrilla con plancha si hace mucho viento.
- ▲ Nunca se apoye sobre la parrilla con plancha cuando la está encendiendo.
- ▲ NO deje una parrilla con plancha encendida sin vigilancia, especialmente, mantenga los niños y las mascotas lejos de la parrilla con plancha en todo momento.
- ▲ NO deje la parrilla con plancha sin supervisión al precalentar o quemar residuos de alimentos con la parrilla en la graduación más alta. Si la parrilla con plancha no ha sido limpiada, puede incendiarse la grasa y dañar el producto.
- ▲ NO coloque los recipientes de cocción sobre el artefacto mientras está en funcionamiento.
- ▲ Tenga cuidado al colocar cosas sobre la parrilla con plancha cuando ésta se encuentre en funcionamiento.
- ▲ NO intente mover la parrilla con plancha mientras esté encendida. Deje que la parrilla con plancha se enfríe antes de moverla o guardarla.
- ▲ El tanque de gas propano líquido debe desconectarse correctamente y retirarse antes de mover esta parrilla con plancha.
- ▲ El almacenamiento del aparato en un espacio cerrado sólo está permitido si el tanque está desconectado, desmontado del aparato y guardado al aire libre.
- ▲ NO trate de desconectar el regulador de gas del tanque, o cualquier otro accesorio de la línea de gas, mientras esté usando la parrilla con plancha.
- ▲ Coloque siempre la parrilla con plancha sobre una superficie firme y nivelada, alejada de productos combustibles. Una superficie de asfalto o de pavimento puede que no sea adecuada para este propósito.
- ▲ Retire las mangueras de gas lo más lejos posible de las superficies calientes y de las zonas donde gotee grasa caliente.
- ▲ Mantenga todos los cables eléctricos lejos de una parrilla con plancha caliente.
- ▲ Después de un periodo de almacenamiento o de falta de uso de la unidad, verifique que no haya fugas u obstrucciones en el quemador e inspeccione la manguera para detectar zonas gastadas o cortes en ella.
- ▲ El no abrir las repisas laterales cuando se están encendiendo los quemadores de la parrilla con plancha, o el no esperar cinco minutos para permitir que el gas salga de la parrilla con plancha cuando el gas no se ha encendido, puede provocar una llamada explosiva.
- ▲ Use siempre un termómetro para carne para asegurar que la comida ha quedado cocida a la temperatura apropiada.
- ▲ Por favor, use guantes de protección cuando esté armando este producto.
- ▲ NO trate de forzar las piezas juntas pues esto puede ocasionar lesiones o dañar el producto.
- ▲ Nunca cubra la totalidad del área de cocción con papel de aluminio.
- ▲ El no seguir exactamente las instrucciones dadas arriba puede producir daños a la propiedad, lesiones serias y hasta fatales.



Parrilla con plancha de gas propano para exteriores modelo no. 66C1643B

Salvaguardias importantes

▲ PELIGRO: El no seguir los avisos de peligro, las advertencias y las precauciones, puede ocasionar un incendio o una explosión, con sus consecuentes daños a la propiedad, lesiones personales y hasta accidentes fatales.

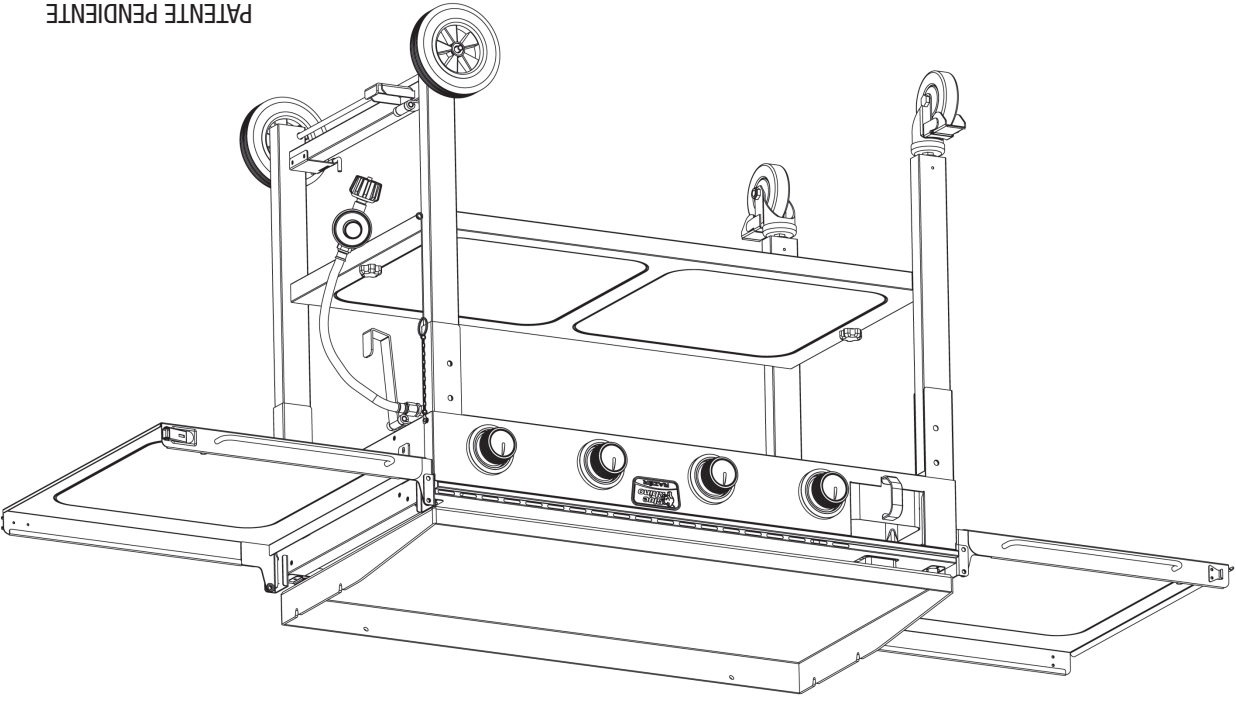
▲ ADVERTENCIAS :

- ▲ Esta parrilla con plancha es para ser usada al aire libre únicamente y no debe usarse en un edificio, garaje o cualquier otra área cerrada.
- ▲ NO opere, encienda o use esta unidad a menos de diez (10) pies (3,05 m) de paredes, estructuras o edificaciones.
- ▲ Para uso residencial únicamente. Esta parrilla con plancha NO ha sido diseñada para uso comercial.
- ▲ Esta parrilla con plancha no ha sido diseñada como calentador y nunca se la debe utilizar como tal. Gases TÓXICOS pueden acumularse y provocar la asfixia.
- ▲ Esta parrilla con plancha tiene certificación de seguridad para uso en los Estados Unidos y/o Canadá solamente. No debe modificarse para uso en ningún otro lugar. Cualquier modificación resultará en un riesgo de seguridad e invalidará su garantía.
- ▲ Esta parrilla con plancha utiliza únicamente gas de propano líquido como combustible. El convertir o tratar de convertir esta parrilla con plancha de gas propano líquido para ser usada con gas natural es peligroso e invalida la garantía de la unidad.
- ▲ Características del propano líquido (PL):
 - a. El propano es inflamable y resulta peligroso si se manipula inadecuadamente. Antes de utilizar cualquier producto que emplee propano líquido, estudie detenidamente sus características.
 - b. El gas de propano líquido es explosivo bajo presión, más denso que el aire, se asienta y se acumula a poca altura.
 - c. En su estado natural, el propano no tiene ningún olor. Para su seguridad, se añade una esencia odorífera que huele a col podrida.
 - d. El contacto directo con el propano líquido puede causar quemaduras frías en la piel.
- ▲ Habitantes de apartamentos: Comuníquese con la administración para obtener los requisitos y los códigos de incendio para uso de una parrilla con plancha a gas propano líquido en su complejo de apartamentos. Si está permitido su uso, coloque la unidad en exteriores, sobre el suelo con una distancia de diez (10) pies (3 m) de paredes o barandas. No debe usarse en balcones ni debajo de estos.
- ▲ Se requiere un tanque de gas propano para hacer funcionar este aparato. Únicamente tanques marcados "Propano" pueden usarse en esta unidad.
- ▲ El tanque de gas propano líquido (PL) debe estar fabricado y comercializado según las *Especificaciones para tanques de gas propano líquido del Departamento de Transporte (DOT) de EE.UU. o del Estándar nacional de Canadá, CAN/CSAB339 sobre tanques, esteras y tubos para el transporte de mercancías peligrosas; y la comisión*
 - ▲ Verifique que el tanque de gas propano líquido esté en una posición adecuada para la extracción de vapor.
 - ▲ El tanque de gas propano líquido debe tener un dispositivo que evite el sobrellenado del tanque (OPD).
 - ▲ Utilice únicamente tanques de propano que tienen un dispositivo de conexión compatible con aparatos de cocción al aire libre.
 - ▲ NO utilice nunca un tanque de propano líquido si el cuerpo no tiene collar para proteger la válvula.
 - ▲ NO utilice nunca un tanque de propano líquido si el cuerpo, la válvula, el collar o el anillo inferior presentan algún daño.
 - ▲ Los tanques de propano líquido abollados u oxidados pueden ser peligrosos y deberían ser revisados por su proveedor de gas PL antes de utilizarlos.
 - ▲ NO deje caer el tanque de gas propano líquido ni lo maneje bruscamente.
 - ▲ Los tanques deben almacenarse en exteriores, en un lugar al aire libre siempre fuera del alcance de los niños y nunca en un garaje, edificio o espacio cerrado. Nunca almacene tanques de gas en un lugar en el que la temperatura supere los 125°F (51,5°C).
 - ▲ NO inserte ninguna herramienta u objeto extraño en la salida de la válvula ni en la válvula de seguridad. Puede dañar la válvula y causar una fuga. Una fuga de gas propano puede causar una explosión, un incendio, lesiones personales graves o la muerte.
 - ▲ NO obstruya los agujeros situados a los lados y en la parte trasera de la parrilla con plancha.
- ▲ NO ponga nunca un tanque de gas propano lleno en un carro o camioneta calientes. El calor podría hacer que la presión del gas aumentase, lo que abriría la válvula de seguridad y haría que se escapase el gas.
- ▲ Ponga la tapa contra el polvo en la válvula de salida del tanque cuando no lo esté usando. Únicamente use la tapa contra el polvo que viene con la válvula del tanque. Otros tipos de tapones o tapas pueden crear fugas del propano.
- ▲ Si la parrilla con plancha no se está usando, el gas debe cerrarse en el tanque de suministro y se debe desconectar el tanque.
- ▲ Nunca guarde un tanque adicional de propano debajo o cerca de esta parrilla con plancha.
- ▲ Nunca llene el tanque más allá de 80% de su capacidad.
- ▲ El no seguir exactamente las instrucciones dadas arriba puede producir un incendio con daños a la propiedad, lesiones serias y hasta fatales.
- ▲ NO intente nunca acoplar esta parrilla con plancha al sistema de propano de un campero, de una casa móvil o de su propia casa.
- ▲ NO use nunca carbón de leña, líquido para encendedor, rocas de lava, gasolina, queroseno o alcohol con este aparato.
- ▲ Todas las conexiones de gas de su parrilla con plancha han sido verificadas en fábrica en cuanto a fugas de gas. Sin embargo, vuelva a probar la integridad de todas las conexiones como se indica en las "Instrucciones de operación" ya que el movimiento en transporte puede aflojar algunas de ellas.
- ▲ Verifique que no haya fugas aun si el aparato ha sido armado por otra persona.
- ▲ NO opere la unidad si hay una fuga de gas. Las fugas de gas pueden provocar un fuego o una explosión.
- ▲ Antes de operar esta unidad, debe observar todos los procedimientos para verificar que no hay fugas de gas. Para evitar cualquier riesgo de fuego o de explosión al comprobar si hay fugas:
 - a. Compruebe siempre si hay fugas antes de encender la parrilla con plancha, cada vez que el tanque de gas está conectado.
 - b. No fume. No use o permita fuentes de ignición en el área al comprobar si hay fugas.
 - c. Siempre compruebe si hay fugas en exteriores donde hay una buena ventilación.
 - d. No use cerillas, encendedores o una llama para comprobar si hay fugas.
 - e. El uso de bebidas alcohólicas, medicamentos o drogas de farmacia puede afectar la habilidad del usuario para armar debidamente u operar en forma segura este aparato.
 - f. Los olores fuertes, los resfrios, la congestión de los senos nasales, etc. pueden evitar la detección del gas propano. Tome medidas de precaución y sentido común al realizar pruebas para determinar la presencia de fugas.
 - g. No use la parrilla con plancha hasta que todas las fugas hayan sido reparadas. Si no puede parar una fuga, desconecte el tanque de propano. Llame a un técnico de servicio de artefactos a gas o a su proveedor de propano local.
- ▲ Esta parrilla con plancha está diseñada para funcionar con las presiones de entrada siguientes: Gas propano líquido (PL): 11 pulgadas (28 cm) de columna de agua.
- ▲ NO guarde o use gasolina u otros líquidos o vapores inflamables a menos de 7,6 m (25 pies) de esta unidad.
- ▲ NO utilice el equipo en una atmósfera explosiva. Mantenga la zona de la parrilla con plancha libre de materiales combustibles, gasolina y cualquier otro vapor o líquido inflamable.
- ▲ El espacio mínimo entre los laterales y la parte posterior de la unidad y la construcción combustible es de 36 pulgadas (92 cm). NO use esta parrilla con plancha debajo de aleros o bajo techo.
- ▲ Es fundamental mantener limpio el compartimiento de la válvula de la parrilla con plancha, los quemadores y los conductos de aire circulante.
- ▲ Inspeccione la parrilla con plancha antes de cada uso.
- ▲ NO altere la parrilla con plancha de ninguna forma. Toda alteración anulará la garantía.



Parrilla con plancha de gas propano para exteriores

Modelo no. GGC1643B



PATENTE PENDIENTE

IMPORTANTE

Después de cada uso, siempre prepare la superficie siguiendo las instrucciones del párrafo "Preparación de la plancha de la parrilla".



ADVERTENCIA

PARA SU SEGURIDAD: Solamente para uso en exteriores (fuera de cualquier recinto)

ADVERTENCIA

PARA SU SEGURIDAD: 1. Una instalación, ajuste, alteración, reparación o mantenimiento inadecuados pueden causar lesiones o daños a la propiedad.

2. Lea atentamente las instrucciones de instalación, funcionamiento y mantenimiento del equipo antes de instalarlo, ponerlo en marcha o darle servicio.

3. El no seguir estas instrucciones puede ocasionar un incendio o una explosión, con sus consecuentes daños a la propiedad, lesiones personales y hasta accidentes fatales.

4. Este manual de instrucciones contiene información importante necesaria para un correcto ensamble y uso seguro del aparato.

5. Lea y siga todas las instrucciones y advertencias antes de ensamblar y usar el producto.

6. Obedezca todas las advertencias e instrucciones cuando use el equipo.

7. Guarde este manual para referencia futura.

Si huele a gas -
1. Cierre la entrada de gas al aparato.
2. Apague cualquier llama activa.
3. Abra la tapa.
4. Si el olor persiste, manténgase alejado del aparato y llame inmediatamente a su proveedor de gas o al departamento de bomberos.

PELIGRO

ADVERTENCIA

PARA SU SEGURIDAD:
1. No guarde o use gasolina u otros líquidos o vapores inflamables cerca de esta unidad o de cualquier otro aparato.
2. Un tanque de propano líquido que no esté conectado para su uso no se debe almacenar cerca de éste o cualquier otro aparato.

PELIGRO

Nunca deje este artefacto encendido sin vigilancia.

Salvaguardias importantes Página 2

Despiece y elementos de ferreteria 4

Instrucciones de armado 5

Instrucciones de la unidad para su transporte o almacenamiento 8

Instalación del tanque de gas propano líquido (PL) 11

Instrucciones de operación 11

Limpieza y cuidado 13

Registro del producto 14

Piezas de repuesto 14

Garantía limitada 14

Resolución de problemas 15

Índice

El uso e instalación de este producto ha de realizarse de acuerdo con los códigos locales. Si no existen códigos locales, use las normas siguientes: *Código Nacional de Gas Combustible, ANSI Z223.1/NFPA 54, Código de Instalación de Propano y Gas Natural CAN/GA-B149.1, o el Código de Manipulación y Almacenaje de Propano B149.2, o la Norma sobre Vehículos Recreativos, ANSI A 119.2/NFPA 1192, y CSA Z240 Serie VR, y el Código sobre Vehículos Recreativos, según aplique.*

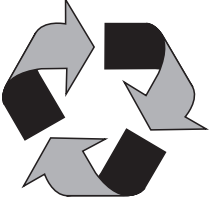
ESTE MANUAL DE INSTRUCCIONES CONTIENE INFORMACIÓN IMPORTANTE SOBRE LA SEGURIDAD. POR FAVOR, LÉALO Y CONSERVELO PARA FUTURAS CONSULTAS.

Si está montando esta unidad para otra persona, entéguele este manual para futuras consultas.

ADVERTENCIA: Este producto puede causar exposición a sustancias químicas, inclusive monóxido de carbono y hollín, que el Estado de California reconoce como causantes de cáncer, defectos de nacimiento y otros daños reproductivos. Para obtener más información visite www.P65Warnings.ca.gov.



Fabricado en China para: Blue Rhino Global Sourcing, Inc.
Winston-Salem, NC EE.UU • 1.800.762.1142 • BlueRhino.com
© Blue Rhino Global Sourcing, Inc.
Blue Rhino® es registrada de Ferrelgas L.P.
Razor™ es registradas de Blue Rhino Global Sourcing, Inc.



Hecho con 75% de bagazo de caña (subproducto de la caña de azúcar respetuoso del medio ambiente)