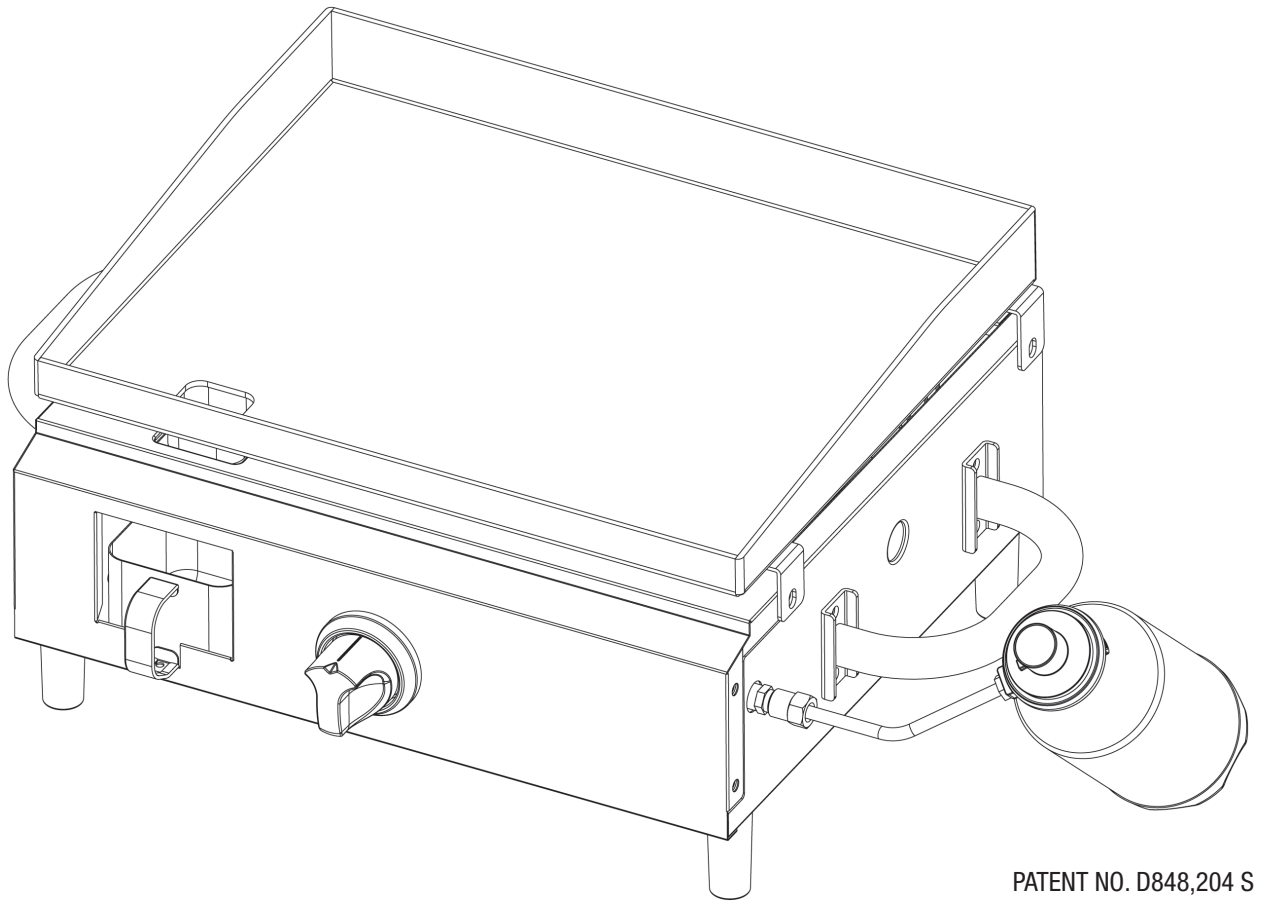




OWNER'S MANUAL

Outdoor Portable LP Gas Griddle

Model No. GBT1860L



PATENT NO. D848,204 S

WARNING
FOR YOUR SAFETY:

DO NOT LEAVE THE GRILL UN-ATTENDANT WHEN ITS COOKING. SPECIALLY COOKING THE FATTY MEAT AND CLOSE THE LID TOO LONG TIME.

WARNING
FOR YOUR SAFETY:

For Outdoor Use Only
(outside any enclosure)

WARNING
FOR YOUR SAFETY:

1. Improper installation, adjustment, alteration, service or maintenance can cause injury or property damage.
2. Read the installation, operation, and maintenance instructions thoroughly before installing or servicing this equipment.
3. Failure to follow these instructions could result in fire or explosion, which could cause property damage, personal injury, or death.
4. This instruction manual contains important information necessary for the proper assembly and safe use of the appliance.
5. Read and follow all warnings and instructions before assembling and using the appliance.
6. Follow all warnings and instructions when using the appliance.
7. Keep this manual for future reference.

DANGER

If you smell gas -

1. Shut off gas to appliance.
2. Extinguish any open flame.
3. If odor continues, keep away from the appliance and immediately call your fire department.

Failure to follow these instructions could result in fire or explosion which could cause property damage, personal injury or death.

WARNING
FOR YOUR SAFETY:

1. Do NOT store or use gasoline or other flammable liquids or vapors in the vicinity of this or any other appliance.
2. An LP cylinder not connected for use shall not be stored in the vicinity of this or any other appliance.

DANGER

Never operate this appliance unattended.

IMPORTANT

After each use, always season your griddle per "Seasoning Griddle" section.

Table of Contents

| | |
|------------------------------------|--------|
| Important Safeguards | Page 2 |
| Expanded View & Hardware | 4 |
| Assembly Instructions | 5 |
| Installing LP Gas Tank | 6 |
| Operating Instructions | 6 |
| Cleaning and Care | 7 |
| Product Registration | 8 |
| Replacement Parts | 8 |
| Limited Warranty | 8 |
| Troubleshooting | 9 |

The use and installation must conform with local codes or, in the absence of local codes, with either the *National Fuel Gas Code, ANSI Z223.1/NFPA 54, Storage and Handling of Liquefied Petroleum Gases, ANSI/NFPA 58, Natural Gas and Propane Installation Code, CSA B149.1, or Propane Storage and Handling Code, B149.2, or the Standard for Recreational Vehicles, ANSI A 119.2/NFPA 1192, and CSA Z240 RV Series, as applicable.*

THIS INSTRUCTION BOOKLET CONTAINS IMPORTANT SAFETY INFORMATION. PLEASE READ AND KEEP FOR FUTURE REFERENCE.

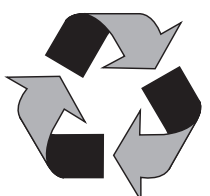
If you are assembling this unit for someone else, give this manual to them to read and save for future reference.

▲ WARNING: This product can expose you to chemicals, including carbon monoxide, soot, lead and lead components which are known to the State of California to cause cancer, birth defects, and other reproductive harm. For more information go to www.P65Warnings.ca.gov.

Wash your hands after handling this product.



Manufactured in China for: RevoAce Inc. Limited
 Hong Kong, China • 1.800.694.0013 • service@revoace.com
 8:00 am to 4:00 pm central time, Monday to Friday.
 © RevoAce Inc. Limited
 Blue Rhino® is a registered trademark of Ferrellgas, L.P. Used with permission.
 Razor® is a registered trademark of Mr. Bar-B-Q Products LLC. Used with permission.



Made from 75% Bagasse
 (environmentally friendly sugar
 cane pulp by-product)



Important Safeguards - LP Gas

- ⚠ **DANGER:** Failure to follow the dangers, warnings and cautions in this manual may result in serious bodily injury or death, or in a fire or an explosion causing damage to property.
-
- ⚠ **WARNINGS:**
 - ⚠ This griddle is for outdoor use only, and should not be used in a building, garage or any other enclosed area.
 - ⚠ Do NOT operate, light or use this appliance within ten feet (3.05 m) of walls, structures or buildings.
 - ⚠ For residential use only. This griddle is NOT for commercial use.
 - ⚠ This griddle is not intended for and should never be used as a heater. TOXIC fumes can accumulate and cause asphyxiation.
 - ⚠ This is NOT a tabletop griddle. Therefore, do NOT operate this griddle on any type of tabletop surface.
 - ⚠ This griddle is safety certified for use in the United States and/or Canada only. Do NOT modify for use in any other location. Modification will result in a safety hazard and will void your warranty.
 - ⚠ This griddle is for use with liquid propane (LP) gas only. The conversion to or attempted use of natural gas in this LP gas griddle is dangerous, may cause bodily harm and will void your warranty.
 - ⚠ Do NOT over heat this griddle as this will damage the griddle and could cause a fire or an explosion which can cause death, serious bodily injury or damage to property.
 - ⚠ LP gas characteristics:
 - a. LP gas is flammable and hazardous if handled improperly. Become aware of the characteristics before using any LP gas product.
 - b. LP gas is explosive under pressure, heavier than air, and settles and pools in low areas.
 - c. LP gas in its natural state has no odor. For your safety, an odorant is added that smells like rotten cabbage.
 - d. Contact with LP gas can cause freeze burns to skin.
 - ⚠ Apartment dwellers: Check with management to learn the requirements and fire codes for using a LP gas griddle in your apartment complex. If allowed, use outside on the ground floor with a ten foot (3.05 m) clearance from any structure. Do NOT use on or under balconies.
 - ⚠ LP gas cylinder needed to operate. Only cylinders marked "propane" may be used.
 - ⚠ The LP gas cylinder must be constructed and marked in accordance with the *Specifications for LP-gas Cylinders* of the U.S. Department of Transportation (D.O.T.), *Cylinders, Spheres and Tubes for the Transportation of Dangerous Goods*; or the National Standard of Canada, *CAN/CSA-B339*.
 - ⚠ LP gas cylinder must be arranged for vapor withdrawal.
 - ⚠ Dented or rusted LP gas cylinders may be hazardous and should be checked by your LP gas supplier prior to use.
 - ⚠ The LP gas cylinder should not be dropped or handled roughly.
 - ⚠ LP gas cylinders must be stored outdoors out of the reach of children and must not be stored in a building, garage or any other enclosed area. Your cylinder must never be stored where temperatures can reach over 125°F.
 - ⚠ Do NOT insert any tool or foreign object into the valve outlet or safety relief valve. You may damage the valve and cause a leak. Leaking propane may result in an explosion, fire, severe personal injury or death.
 - ⚠ Do NOT block holes in sides, bottom or back of griddle.
 - ⚠ Never keep an LP gas cylinder in a hot car or trunk. Heat will cause the gas pressure to increase, which may open the relief valve and allow gas to escape.
 - ⚠ Do NOT store a spare LP gas tank under or within 25 feet (7.62 m) of this appliance.
 - ⚠ Never attempt to attach this griddle to the self-contained LP gas system of a camper trailer, motor home or house.
 - ⚠ The use of alcohol, prescription or non-prescription drugs may impair the consumer's ability to properly assemble or safely operate the appliance.
 - ⚠ Strong odors, colds, sinus congestion, etc. may prevent the detection of propane. Use caution and common sense when testing for leaks.
 - ⚠ NEVER use lighter fluid, lava rocks, gasoline, kerosene or alcohol with this product.
 - ⚠ Your griddle has been checked at all factory connections for leaks. Recheck all connections as described in the "Operating Instructions" section of the manual, as shipping can loosen connections.
 - ⚠ Check for leaks even if your unit was assembled for you by someone else.
 - ⚠ Do NOT operate if a gas leak is present. Gas leaks may cause a fire or explosion.
 - ⚠ You must follow all instructions in the "Checking for Leaks" section before operating. To prevent a fire or explosion hazard when testing for a leak:
 - a. Always perform a leak test before lighting the griddle and each time the cylinder is connected for use.
 - b. No smoking. Do NOT use or permit sources of ignition in the area while conducting a leak test.
 - c. Conduct the leak test outdoors in a well-ventilated area.
 - d. Do NOT use matches, lighters, or a flame to check for leaks.
 - e. The use of alcohol, prescription or non-prescription drugs may impair the consumer's ability to properly assemble or safely operate the appliance.
 - f. Strong odors, colds, sinus congestion, etc. may prevent the detection of propane. Use caution and common sense when testing for leaks.
 - g. Do NOT use griddle until any and all leaks are corrected. If you are unable to stop a leak, disconnect the LP gas supply. Call a gas appliance serviceman or your local LP gas supplier.
 - ⚠ Do NOT store or use gasoline or other flammable liquids or vapors within 25 feet (7.62 m) of this appliance.
 - ⚠ Do NOT use in an explosive atmosphere. Keep griddle area clear and free from combustible materials, gasoline and other flammable vapors and liquids.
 - ⚠ Minimum clearance from sides and back of unit to combustible construction is 21 inches (53 cm). Do NOT use this appliance under any type of overhang or roof.
 - ⚠ It is essential to keep the griddle's regulator and valve assembly, burners and circulating air passages clean.
 - ⚠ Inspect griddle before each use.
 - ⚠ Do NOT alter griddle in any manner. Any alteration will void your warranty.
 - ⚠ Do NOT use the griddle unless it is COMPLETELY assembled and all parts are securely fastened and tightened.
 - ⚠ This griddle should be thoroughly cleaned and inspected on a regular basis.
 - ⚠ Clean and inspect the hose before each use of the appliance. If there is evidence of abrasion, wear, cuts or leaks, the hose must be replaced prior to operation.
 - ⚠ Use only the pressure regulator provided. Use only the replacement pressure regulator specified by RevoAce Inc. Limited
 - ⚠ Do NOT attempt to repair or alter the pressure regulator for any assumed defect. Any modification to this assembly will void your warranty and create the risk of a gas leak and fire. Use only authorized replacement parts supplied by manufacturer.
 - ⚠ Use only RevoAce Inc. Limited factory-authorized parts. The use of any part that is not factory-authorized can be dangerous and will void your warranty.
 - ⚠ Do NOT operate this appliance without reading "Operating Instructions" in this manual.
 - ⚠ Do NOT touch metal parts of griddle until they have completely cooled to avoid burns, unless you are wearing protective gear (pot holders, gloves, BBQ mitts, etc.).
 - ⚠ Do NOT install or use in or on boats or recreational vehicles (RV).
 - ⚠ Do NOT use griddle in a vehicle trunk, station wagon, mini-van or sport utility vehicle (SUV).

- ▲ **When cooking, fire extinguishing materials should be readily accessible. In the event of an oil/grease fire, do NOT attempt to extinguish with water. Use type BC or ABC dry chemical fire extinguisher or smother with dirt, sand or baking soda.**
- ▲ **Move gas hoses as far away as possible from hot surfaces and dripping hot grease.**
- ▲ **Do NOT use griddle in high winds.**
- ▲ **Never lean over the griddle when lighting.**
- ▲ **Do NOT leave a lit griddle unattended. Keep children and pets away from griddle at all times.**
- ▲ **Do NOT leave griddle unattended while preheating or burning off food residue on high. If griddle has not been cleaned, a grease fire can occur that may damage the product.**
- ▲ **Do NOT place empty cooking vessels on the appliance while in operation.**
- ▲ **Use caution when placing anything on the griddle while the appliance is in operation.**
- ▲ **Do NOT attempt to move griddle when in use. Allow the griddle to cool before moving or storing.**
- ▲ **LP gas cylinder must be properly disconnected and removed prior to moving this griddle.**
- ▲ **Storage of griddle indoors is permissible only if the cylinder is disconnected, removed from the griddle and properly stored outdoors.**
- ▲ **Do NOT attempt to disconnect the gas regulator from the cylinder or any gas fitting while the griddle is in use.**
- ▲ **Disconnect LP gas tank when not in use.**
- ▲ **Always place your griddle on a hard, non-combustible, level surface. An asphalt or blacktop surface may not be acceptable for this purpose.**
- ▲ **Do NOT use directly on wooden decks.**
- ▲ **Keep all electrical cords away from a hot griddle.**
- ▲ **After a period of storage and/or non-use, check for leaks, burner obstructions and inspect for any abrasion, wear or cuts to the hose.**
- ▲ **Failure to not wait five minutes to allow the gas to clear if the griddle does not light, may result in an explosive flame-up.**
- ▲ **Never operate griddle without griddle surface installed.**
- ▲ **Always use a meat thermometer to ensure food is cooked to a safe temperature.**
- ▲ **Use protective gloves when assembling this product.**
- ▲ **Do NOT force parts together as this can result in personal injury or damage to the product.**
- ▲ **Never cover entire cooking area with aluminum foil. Laying the foil on the grates can restrict the intended air flow inside the grill, create barriers to the proper flow of grease to the catch pan, which sets the stage for lots of it to build up on the bottom tray, which in turn, builds the potential for grease fires and flare ups.**
- ▲ **Deaths, serious injury or damage to property may occur if the above is not followed exactly.**



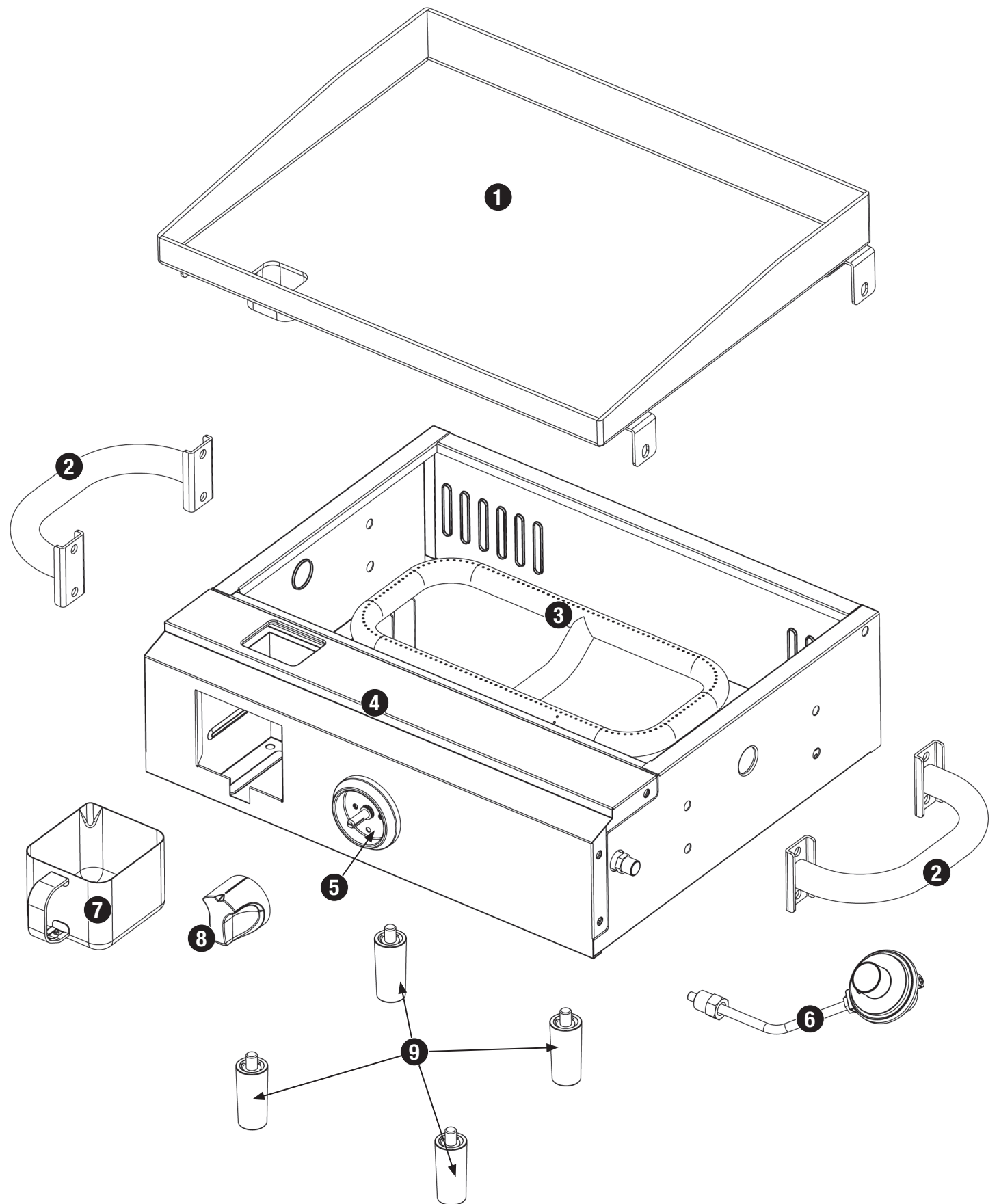
Outdoor Portable LP Gas Griddle
Model No. GBT1860L

Parts List

| | | |
|----------|------------------------|-----------|
| 1 | Griddle Surface* | G1860-010 |
| 2 | Side Handle (2) | G1860-020 |
| 3 | Burner* | G1860-030 |
| 4 | Griddle Body Assembly* | G1860-040 |
| 5 | Control Knob Bezel* | G1205-200 |
| 6 | Regulator | G1860-050 |
| 7 | Grease Cup | G1860-060 |
| 8 | Control Knob | G0900-080 |
| 9 | Leg (4) | G1860-070 |

* Pre-assembled

Expanded View

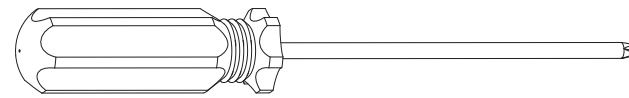


Hardware

| | | | |
|----------|-------|---|-------|
| A | Screw | M6x15 Nickel Plated Phillips Truss Head | 8 pcs |
|----------|-------|---|-------|

Tools Required for Assembly (Not Included)

| | |
|------------------------------|------|
| #2 Phillips Head Screwdriver | 1 pc |
|------------------------------|------|



Assembly Instructions

1

DO NOT RETURN TO PLACE OF PURCHASE.

For assistance, call 1.800.694.0013 toll-free. Please have your owner's manual and model number available for reference.

Note: The model number can be found on the back of the griddle.

Assembly Tips:

1. Select an area where you will assemble this product. To protect components, choose a smooth surface that's free of cracks or openings.
2. Spread out all parts.
3. Tighten all hardware connections by hand first. Then, before completing each step, go back and fully tighten all hardware. Be careful not to over-tighten. That could damage surfaces or strip threads.
4. For best results, complete each step in the order presented.

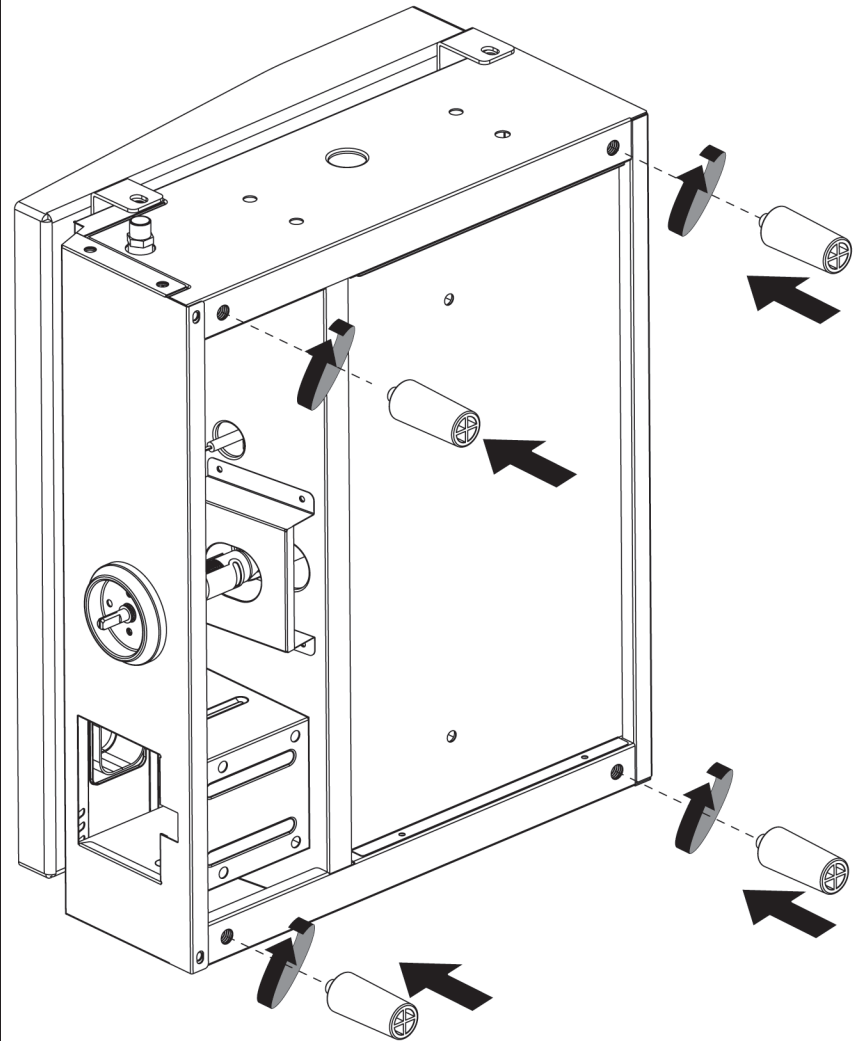
After assembly you will need:

- (1) Leak Detection Solution (instructions on how to make solution are included in "Operating Instructions" section).
- (1) 14.1 oz or (1) 16.4 oz LP gas tank (not included).

Typical assembly is approximately 30 minutes.

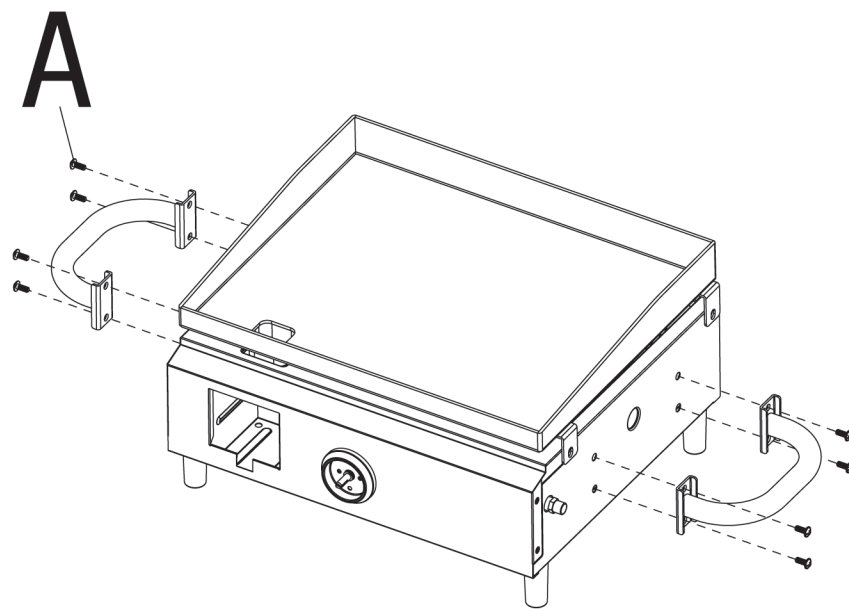
2

Attach Legs



3

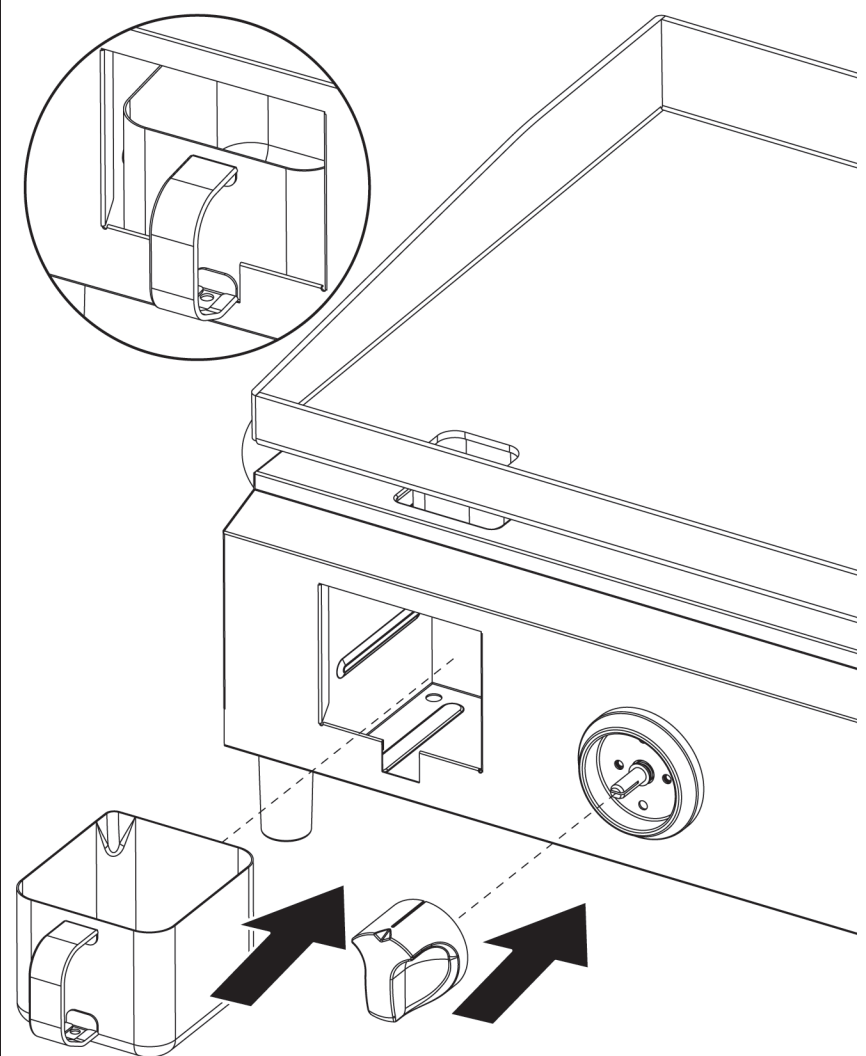
Attach Side Handles



A  x 8

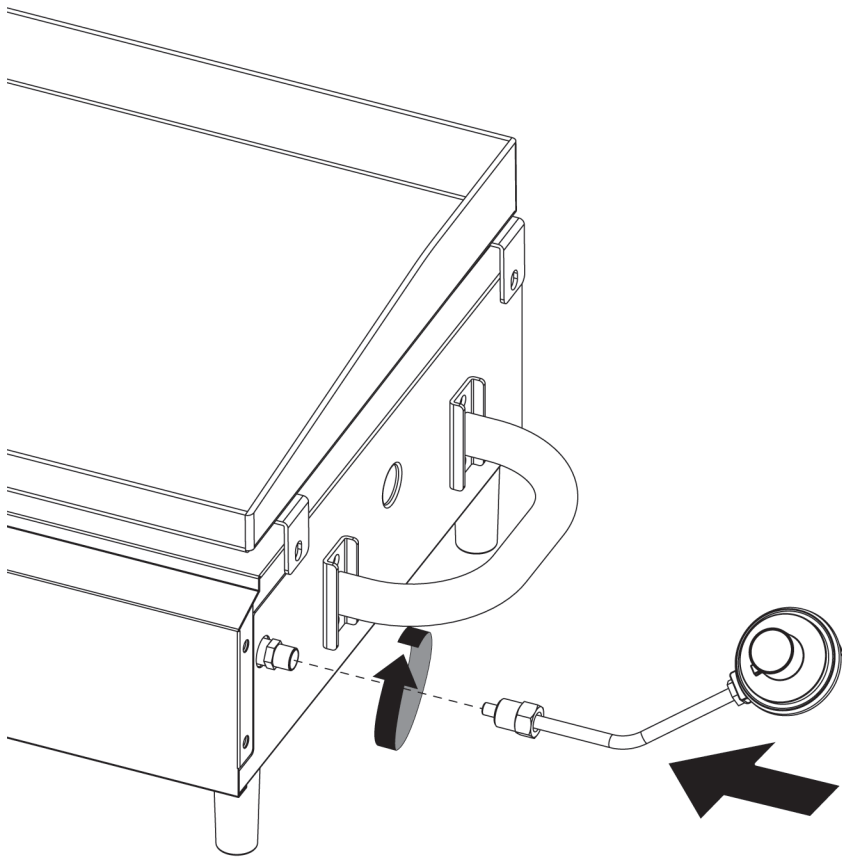
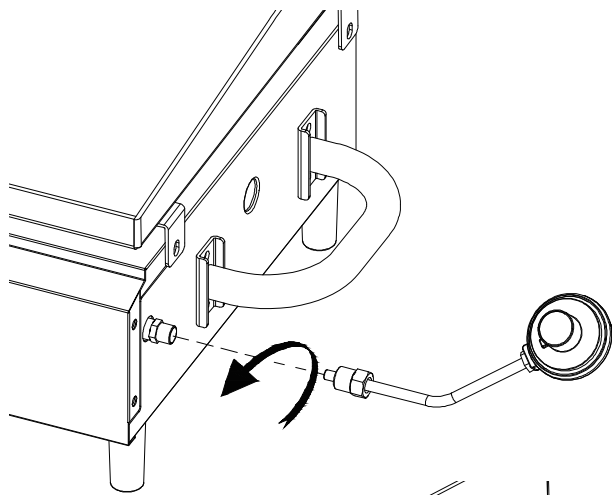
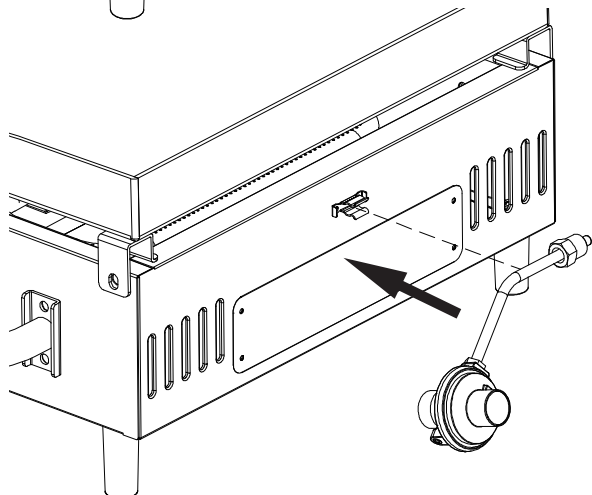
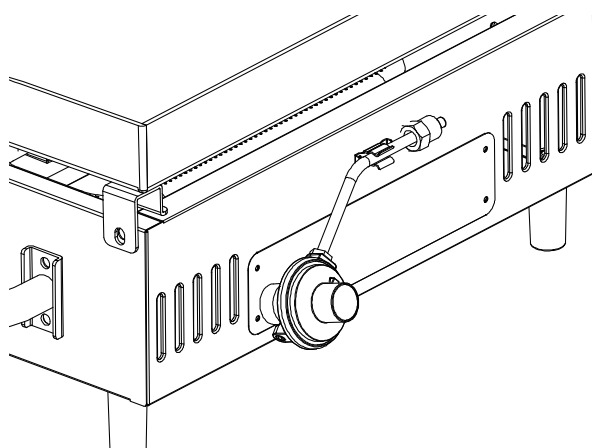
4

Insert Grease Cup and Control Knob



Assembly Instructions (continued)
5
Attach Regulator

Note: Once attached, the regulator/control valve will freely rotate to accommodate the LP gas tank.


Regulator Storage
1

2

3

IMPORTANT

Before first use and after each use, always season your griddle per “Seasoning Griddle” section.

Installing LP Gas Tank

This griddle is designed to operate with a 1 lb. 7.75 in. or 10.6 in. high disposable / 16.4 oz. or 14.1 oz. propane gas tank (DOT 39 Cylinder) (Figure 1).

DO NOT ATTEMPT TO REFILL ANY 1 lb. (16.4 oz. or 14.1 oz.) PROPANE GAS TANKS!

Connecting LP Gas Tank

Only cylinders marked “propane” may be used.

Note: 1 lb cylinders may form frost when near empty.

1. Make sure the control knob is in the “OFF” position (Figure 3).
2. Lubricate the threads of the regulator with petroleum jelly. Line up threads on LP gas tank with regulator.
3. Insert and rotate LP gas tank clockwise until they fit snugly together. **HAND TIGHTEN ONLY.** Be careful not to crossthread when screwing in tank (Figure 4).
4. Perform leak test per “Checking for Leaks” section.

Disconnecting LP Gas Tank

CAUTION: The LP gas tank must be removed when this appliance is not in use.

1. Turn the control knob to the “OFF” position (Figure 3).
2. Rotate LP gas tank counterclockwise until it is detached (Figure 5).
3. Store the LP gas tank in a proper location, per instructions on the LP gas tank.

Operating Instructions
Checking for Leaks
Burner Connections

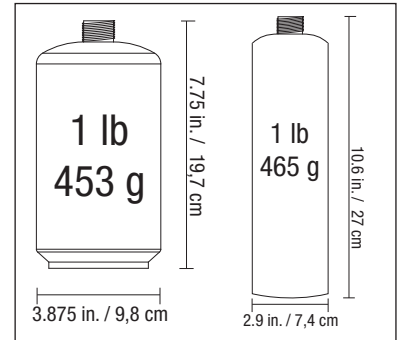
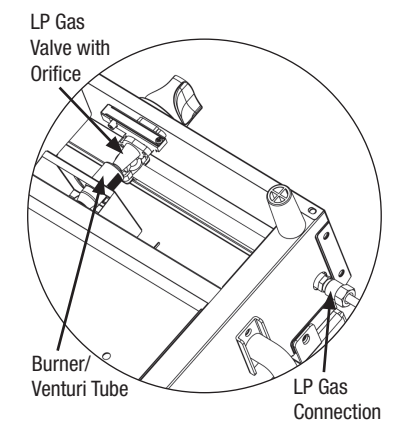
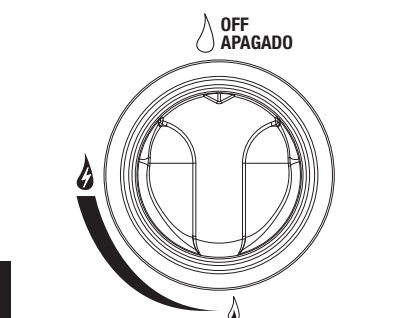
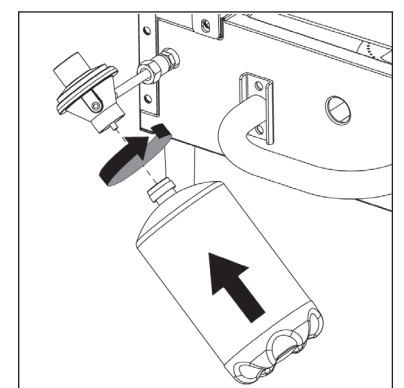
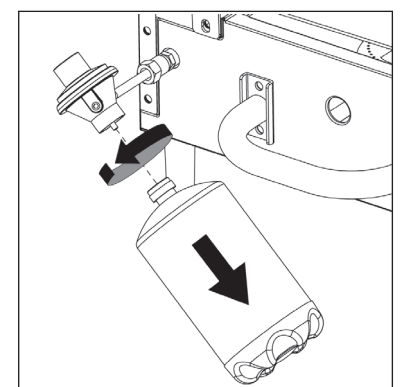
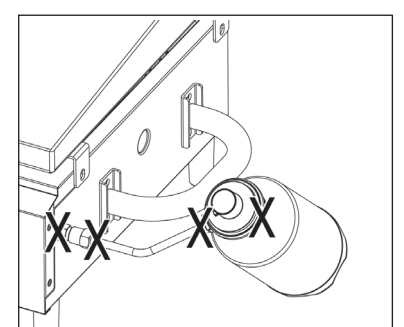
1. Make sure the regulator is securely fastened. Note: The brass nut should be ¼ to ½ turn past tight. The regulator will rotate 360° even when the brass nut is tightened.
2. Visually check the connection between the burner and regulator (Figure 6).
3. Make sure the burner/venturi tube fits over the orifice (Figure 2).

WARNING: Failure to inspect this connection or follow these instructions could cause a fire or an explosion which can cause death, serious bodily injury or damage to property.

4. Please refer to diagram for proper installation (Figures 2 and 6)
5. If the burner/venturi tube does not rest flush to the orifice, as shown, please contact 1.800.694.0013 for assistance
6. If the burner and regulator do not fit properly or if you have any questions, please contact 1.800.694.0013 for assistance.

Tank/Gas Line Connection

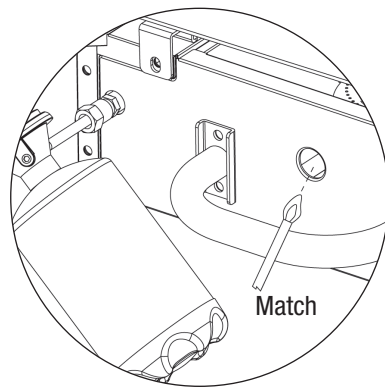
1. Make 2-3 oz. of leak detection solution by mixing one part liquid dishwashing soap with three parts water.
2. Make sure control knob is in the “OFF” position (Figure 3).
3. Apply the leak detection check solution on all “X” locations (Figure 6).

Figure 1

Figure 2

Figure 3

Figure 4

Figure 5

Figure 6


Operating Instructions (continued)

- If any bubbles appear, remove the LP gas tank and reconnect, making sure the connection is secure.
- If you continue to see bubbles after several attempts, remove the LP gas tank per "Disconnecting LP Gas Tank" section, and contact 1.800.694.0013 for assistance.
- If no bubbles appear after one minute, turn control knob to the "OFF" position, wipe away solution and proceed.

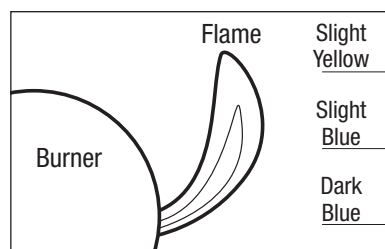
Figure 7



First Use

- Make sure all labels, packaging and protective films have been removed from the griddle.
- Light griddle per "Lighting" section.
- Remove manufacturing oils before cooking on this grill for the first time by operating the grill for at least 15 minutes on HIGH. This will "heat clean" the internal parts and dissipate odors.
- Season your griddle per "Seasoning Griddle" section.**

Figure 8



Operating the LP Gas Griddle

Lighting

- ⚠ **CAUTION: Keep outdoor gas cooking appliance area clear and free from combustible materials, gasoline and other flammable vapors and liquids.**
- ⚠ **CAUTION: Do NOT obstruct the flow of combustion and ventilation air.**
- ⚠ **CAUTION: Check and clean burner/venturi tubes for insects and insect nests. A clogged tube can lead to a fire.**
- ⚠ **CAUTION: Do NOT use non-stick cooking sprays because they contain a lot of water and can burn onto the griddle, damaging the surface.**
- ⚠ **CAUTION: Do NOT use corn oil as it contains a high level of sugar, which can caramelize and burn onto the surface.**

- Check for obstructions of airflow to the burners. Spiders, insects and webs can clog the burner/venturi tube. A clogged burner/venturi tube can lead to a fire.
- Control knob must be in the "OFF" position (Figure 3).
- Connect LP gas tank per "Connecting LP Gas Tank" section.
- Push and turn any control knob to HIGH. The burner should light. If it does not, repeat up to three times.
- If ignition does not occur in 5 seconds, turn burner control knob "OFF," wait 5 minutes, and repeat lighting procedure.
- If igniter does not light burner, use a lit match to light burner manually.
 - Access the burner through the hole in bottom bowl or side as indicated (Figure 7).
 - Turn the control knob to LOW and position the lit match near side of the burner.
- After lighting, observe the burner flame. Make sure all burner ports are lit and flame height matches illustration (Figure 8).

- ⚠ **CAUTION: If burner flame goes out during operation, immediately turn the control knob "OFF" and let the gas clear for 5 minutes before re-lighting.**

Turning Off

- ⚠ **CAUTION: The LP gas tank must be removed when this appliance is not in use.**

- Turn control knob to the "OFF" position (Figure 3).
Note: A "poof" sound is normal as the last of the LP gas is burned.
- Disconnect LP gas tank per "Disconnecting LP Gas Tank" section.
- Season your griddle per "Seasoning Griddle" section.**

Cooking

- ⚠ **CAUTION: Do NOT leave griddle unattended while preheating or burning off food residue on HIGH. If griddle has not been cleaned, a grease fire can occur.**

- Light griddle per "Lighting" section.
- Preheat griddle on HIGH.
- Adjust control knob to desired flame height.
- Wear protective gloves and use long handle tongs to place food onto griddle surface.
- Cook until desired internal food temperatures are achieved.
- Turn griddle off per "Turning Off" section.

Controlling Flare-ups

- ⚠ **CAUTION: Putting out grease fires by only closing the lid is not possible.**
 - If a grease fire develops, turn control knob to the "OFF" position. **Do NOT use water on a grease fire. This can cause the grease to splatter and could result in serious burns, bodily harm or other damage.**
 - Do NOT leave griddle unattended while preheating or burning off food residue on HIGH. If griddle has not been cleaned, a grease fire can occur.**
- ⚠ **WARNING: When cooking, fire extinguishing materials should be readily accessible. In the event of an oil/grease fire, use type BC dry chemical fire extinguisher or smother with dirt, sand or baking soda. Do NOT attempt to extinguish with water.**

Flare-ups are a part of cooking meats on a griddle and add to the unique flavor of grilling.

Excessive flare-ups can over-cook your food and be dangerous.

Important: Excessive flare-ups result from the build-up of grease in the grease cup.

If a grease fire occurs, turn the control knob to "OFF" until the grease burns out.

If excessive flare-ups occur, **do NOT** pour water onto the flames.

Minimize Flare-ups:

- Trim excess fat from meats prior to cooking.
- Cook high fat content meats on LOW setting or indirectly.
- Ensure that your griddle is on a hard, level, non-combustible surface and the grease is allowed to drain into grease receptacle.

Cleaning and Care

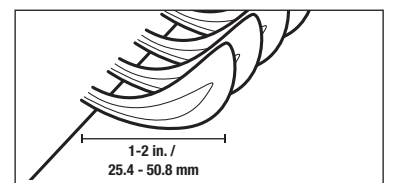
CAUTION:

- All cleaning and maintenance should be done when griddle is cool and with the fuel supply disconnected.**
- Do NOT clean any griddle part in a self-cleaning oven. The extreme heat will damage the finish.**
- Do NOT enlarge valve orifices or burner ports when cleaning the valves or burners.**

Figure 9

Burner Flame Conditions

Use this chart to see if your burners need to be cleaned.



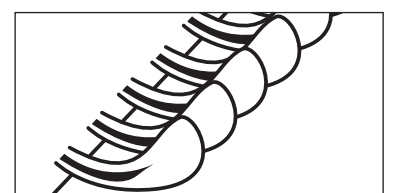
Normal: Soft blue flames with yellow tips between 1 in. - 2 in. height.

Notices

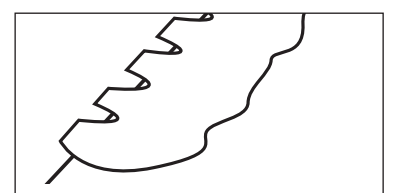
- This griddle should be thoroughly cleaned and inspected on a regular basis.**
- Abrasive cleaners will damage this product.**
- Never use oven cleaner to clean any part of griddle.**

Before Each Use

- Keep the griddle area clean and free from any combustible materials, gasoline, and other flammable vapors and liquids.
- Do NOT obstruct the flow of the combustion of LP gas and the ventilation of air.
- Keep the ventilation opening(s) of the LP gas tank area free and clear from debris.
- Visually check the burner flames to make sure your griddle is working properly (Figure 9).
- See below for proper cleaning instructions.
- Check for obstructions of airflow to the burners. Spiders, insects and webs can clog the burner/venturi tube. A clogged burner/venturi tube can lead to a fire.



Needs cleaning: Noisy with hard blue flames.



Has to be replaced: Wavy with yellow flames.

Cleaning Surfaces

- Wipe surfaces clean with mild dishwashing detergent or baking soda mixed with water.
- For stubborn surfaces, use a citrus-based degreaser and a nylon scrubbing brush.
- Rinse clean with water.
- Allow to air dry.

Cleaning Main Burner

- Turn off per "Turning Off" section.
- Disconnect LP gas tank per "Disconnecting LP Gas Tank" section.
- Remove control knob.



Outdoor Portable LP Gas Griddle Model No. GBT1860L

Cleaning and Care (continued)

- Remove griddle by lifting it off the cart.
- Remove burner by removing the fasteners, which secure the burners to the frame bottom.
- Lift burner up and away from gas valve orifice.
- Remove all food residue and dirt from burner surface.
- Disconnect wire from spark electrode.
- Clean inlet of burner with small bottle brush or compressed air.
- Clean any clogged ports with a stiff wire (such as an opened paper clip).
- Inspect burner for any damage (cracks or holes). If damage is found, replace with a new burner from manufacturer.
- Re-install burner. Checking to insure that gas valve orifice is correctly positioned inside the burner/venturi tube. Also, check position of spark electrode.
- Connect wire to spark electrode.
- Replace griddle.
- Connect LP gas tank per "Installing LP Gas Tank" section.
- Perform leak test per "Checking for Leaks" section.

Before Storing

- Turn off per "Turning Off" section.
- Turn all control knobs clockwise to the "OFF" position.
Note: A "poof" sound is normal as the last of the gas is burned.
- Disconnect LP gas tank per "Disconnecting LP Gas Tank" section.
- Clean all surfaces.
- Lightly coat the burner and cooking grid with cooking oil to prevent excess rusting.
- Season your griddle per "Seasoning Griddle" section.
- If storing the griddle indoors, disconnect the LP tank per "Disconnecting LP Gas Tank" section.
- Place the protective cap cover on the LP tank and store the tank outdoors in a well-ventilated area out of direct sunlight.
- If storing the griddle indoors, cover the griddle and store in a cool dry place.
- If storing the griddle outdoors, cover the griddle with a griddle cover for protection from the weather.

Seasoning Griddle

Important: season your griddle every time you use it.

Griddle chefs at Japanese steakhouses and short-order restaurants season their griddles all the time, and it is critical for you to do it too. Seasoning helps prolong the life of your griddle, makes the cooking surface non-stick and helps prevent rust.

For more information, please visit BlueRhino.com/RazorFAQ.

Tools needed for seasoning:

- Metal scraper or metal spatula
- Cooking oil, such as vegetable oil or extra virgin olive oil
- Paper towels
- BBQ stone or steel wool

⚠ CAUTION: Do NOT use corn oil as it contains a high level of sugar, which can caramelize and burn onto the griddle surface.

First Use

- Light griddle per "Lighting" section.
- Keep burners on 🔥 (HIGH) for 15 minutes.
- Turn griddle off per "Turning Off" section.
- Allow griddle to cool, but still be slightly warm.
- Wipe off griddle surface, inner and outer walls with paper towels until clean.
Note: While drying you may notice the towel may have some discoloration. This is normal.
- Apply cooking oil onto griddle surface, inner and outer walls and evenly coat with rolled up paper towels.
- Repeat this process at least twice.

After Each Use

- Turn griddle off per "Turning Off" section.
- While the griddle is still warm, gently scrape off all food residue with a scraper.
- Wipe down griddle surface, inner and outer walls with a towel or paper towels.
- For stubborn food residue:
 - Light griddle per "Lighting" section.
 - Apply cooking oil onto griddle surface.
 - Allow oil to "boil" food residue off.
 - Repeat steps 1 through 3.
 - If necessary, use a BBQ stone and scrub the food residue off.
 - Continue with "Seasoning Griddle" instructions.
- Wipe off griddle surface, inner and outer walls with paper towels until clean.
Note: While drying you may notice the towel has some discoloration. This is normal.
- Apply finishing oil onto griddle surface, inner and outer walls and evenly coat with rolled up paper towels.
- Light griddle per "Lighting" section.
- Keep burners on 🔥 (HIGH) for 15 minutes or until cooking oil starts to smoke.

- Turn griddle off per "Turning Off" section.
- Repeat steps 6-9 a minimum of 2 additional times.
- Following "Before Storing" section.

Refurbish the Griddle Surface

- If griddle is off, light per "Lighting" section for 10 minutes. Then turn griddle off per "Turning Off" section.
- If griddle is on, turn griddle off per "Turning Off" section.
- While the griddle is still warm, use a scraper or metal spatula to remove as much rust and food residue as you can from the griddle surface, inner and outer walls.
- Apply a liberal amount of cooking oil onto the griddle surface.
- Using a BBQ stone, scrub the griddle surface. Apply additional cooking oil as need.
- Wipe off griddle surface, inner and outer walls with paper towels.
- Repeat steps 3-5 until paper towels no longer show any rust.
- Apply cooking oil onto griddle surface, inner and outer walls and evenly coat with rolled up paper towels.
- Light griddle per "Lighting" section.
- Keep burners on 🔥 (HIGH) for 15 minutes or until cooking oil starts to smoke.
- Turn griddle off per "Turning Off" section.
- Repeat steps 7-10 until the surface has a nice dark color.
- Follow "Before Storing" section.

Product Registration

For faster warranty service, please register your product immediately. To register, call 1.800.694.0013.

Replacement Parts

For replacement parts, call 1.800.694.0013.

Limited Warranty

RevoAce Inc. Limited ("manufacturer") warrants to the original retail purchaser of this product, and to no other person, that if this product is assembled, maintained, and operated in accordance with the printed instructions accompanying it, then for a period of one (1) year from the date of purchase, all parts in such product shall be free from defects in material and workmanship. Manufacturer may require reasonable proof of your date of purchase. Therefore, you should retain your sales slip or invoice. This Limited Warranty shall be limited to the repair or replacement of parts, which prove defective under normal use and service and which manufacturer shall determine in its reasonable discretion upon examination to be defective. Before returning any parts, you should contact manufacturer's Customer Service Department using the contact information listed below. If manufacturer confirms, after examination, a defect covered by this Limited Warranty in any returned part, and if manufacturer approves the claim, manufacturer will replace such defective part without charge. If you return defective parts, transportation charges must be prepaid by you. manufacturer will return replacement parts to the original retail purchaser, freight or postage prepaid.

This Limited Warranty does not cover any failures or operating difficulties due to accident, abuse, misuse, alteration, misapplication, improper installation or improper maintenance or service by you or any third party, or failure to perform normal and routine maintenance on the product as set out in this owner's manual. In addition, the Limited Warranty does not cover damage to the finish, such as scratches, dents, discoloration, rust or other weather damage, after purchase.

This Limited Warranty is in lieu of all other express warranties. manufacturer disclaims all warranties for products that are purchased from sellers other than authorized retailers or distributors, including the warranty of merchantability or the warranty of fitness for a particular purpose. MANUFACTURER ALSO DISCLAIMS ANY AND ALL IMPLIED WARRANTIES, INCLUDING WITHOUT LIMITATION THE IMPLIED WARRANTIES OF MERCHANTABILITY AND FITNESS FOR A PARTICULAR PURPOSE. MANUFACTURER SHALL HAVE NO LIABILITY TO PURCHASER OR ANY THIRD PARTY FOR ANY SPECIAL, INDIRECT, PUNITIVE, INCIDENTAL, OR CONSEQUENTIAL DAMAGES. manufacturer further disclaims any implied or express warranty of, and assumes no responsibility for, defects in workmanship caused by third parties.

This Limited Warranty gives the purchaser specific legal rights; a purchaser may have other rights depending upon where he or she lives. Some jurisdictions do not allow the exclusion or limitation of special, incidental or consequential damages, or limitations on how long a warranty lasts, so the above exclusion and limitations may not apply to everyone. manufacturer does not authorize any person or company to assume for it any other obligation or liability in connection with the sale, installation, use, removal, return, or replacement of its equipment, and no such representations are binding on manufacturer.

RevoAce Inc. Limited
Hong Kong, China
service@revoace.com
1.800.694.0013

8:00 am to 4:00 pm central time, Monday to Friday.

Troubleshooting

| Problem | Possible Cause | Prevention/Cure |
|---|---|--|
| Burner will not light using igniter | LP gas tank is low or empty | Replace LP gas tank |
| | LP gas leak | 1. Disconnect LP gas tank per "Disconnecting LP Gas Tank" section. 2. Wait 5 minutes for gas to clear 3. Connect LP gas tank per "Connecting LP Gas Tank" section. 4. Follow "Checking for Leaks" section |
| | Bottom bowl and ash pan are covered with ashes | Clear bottom bowl and ash pan of ashes |
| | Wires or electrode covered with cooking residue | Clean wire and/or electrode with rubbing alcohol |
| | Electrode and burners are wet | Wipe dry with cloth |
| | Electrode cracked or broken - sparks at crack | Replacement part(s) may be needed - contact Customer Care at 1.800.694.0013 |
| | Wire loose or disconnected | Reconnect wire or replacement part(s) may be needed - contact Customer Care at 1.800.694.0013 |
| | Wire is shorting (sparking) between igniter and electrode | Replacement part(s) may be needed - contact Customer Care at 1.800.694.0013 |
| Burner will not light with match | Bad igniter | Replacement part(s) may be needed - contact Customer Care at 1.800.694.0013 |
| | No gas flow | Check if LP gas tank is empty A. If empty, replace B. If LP gas tank is not empty, refer to "Sudden drop in gas flow or reduced flame height" below |
| | LP gas tank is low or empty | Replace LP gas tank |
| | LP gas leak | 1. Disconnect LP gas tank per "Disconnecting LP Gas Tank" section. 2. Wait 5 minutes for gas to clear 3. Connect LP gas tank per "Connecting LP Gas Tank" section. 4. Follow "Checking for Leaks" section |
| | Coupling nut and regulator not fully connected | Turning the coupling nut about one-half to three-quarters additional turn until solid stop. Tighten by hand only – do NOT use tools. |
| | Obstruction of gas flow | Clear burner/venturi tube |
| | Spider webs or insect nest in venturi | Clean burner/venturi tube |
| Sudden drop in gas flow or reduced flame height | Burner port is clogged or blocked | Clean burner port |
| | Out of gas | Replace LP gas tank |
| Irregular flame pattern – flame does not run the full length of burner | Out of gas | Replace LP gas tank |
| | Burner port is clogged or blocked | Clean burner port |
| | New burner may have residual manufacturing oils | Operate griddle for 15 minutes on 🔥 (HIGH) |
| | Spider webs or insect nest in burner/venturi tube | Clean burner/venturi tube |
| Flame is yellow or orange | Food residue, grease, etc. on burner | Clean burner |
| | Poor alignment of valve to burner/venturi tube | Ensure burner/venturi tube is properly engaged with valve |
| | High or gusting winds | DO NOT use griddle in high winds |
| | Low on LP gas | Replace LP gas tank |
| Flame goes out | Overflow valve tripped | Refer to "Sudden drop in gas flow or reduced flame height," above |
| | Grease buildup | Remove and clean all griddle parts per "Cleaning and Care" section |
| | Excess fat in meat | Trim fat from meat before cooking |
| Flare-up | Excessive cooking temperature | Adjust (lower) cooking temperature |
| | Grease trapped by food buildup around burner system | 1. Turn control knob to "🔥 OFF" 2. Let fire burn out 3. After griddle cools, remove and clean all griddle parts per "Cleaning and Care" section |
| Persistent grease fire | Grease trapped by food buildup around burner system | 1. Turn control knob to "🔥 OFF" 2. Let fire burn out 3. After griddle cools, remove and clean all griddle parts per "Cleaning and Care" section |
| Flashback (fire in burner tube(s)) | Burner and/or burner tubes are blocked | Clean burner and/or burner/venturi tube |

For more assistance, please call 1.800.694.0013.

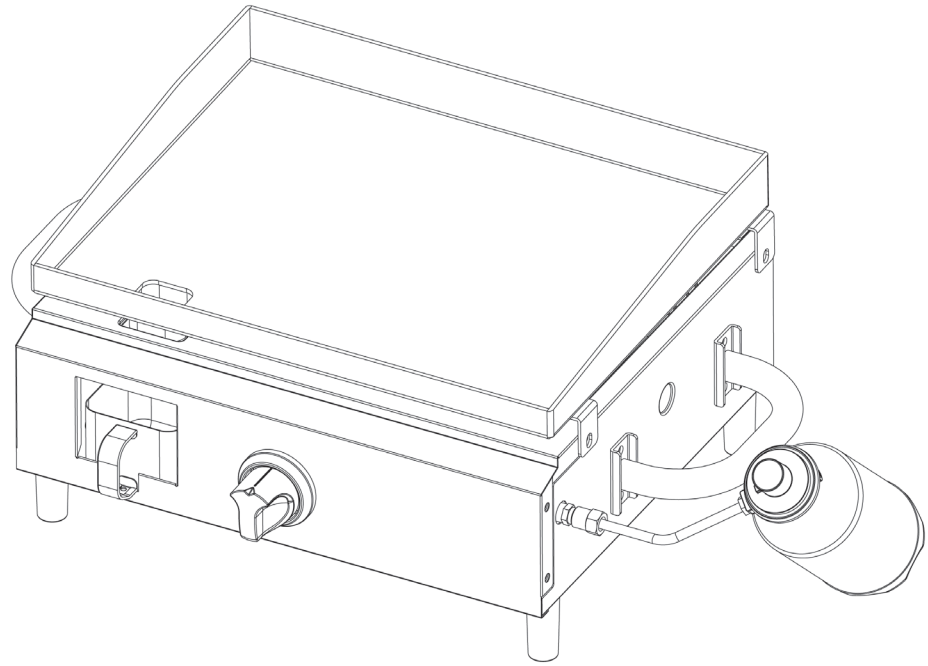




MANUAL DEL USUARIO

Parrilla con plancha de gas propano para exteriores

Modelo no. GBT1860L



PATENTE PENDIENTE



ADVERTENCIA

PARA SU SEGURIDAD:

NO DEJE LA PARRILLA DESPENDIENTE CUANDO ESTÉ COCINANDO. ESPECIALMENTE COCINAR LA CARNE GRASA Y CIERRE LA TAPA POR LARGO TIEMPO.



ADVERTENCIA

PARA SU SEGURIDAD:

Solamente para uso en exteriores (fuera de cualquier recinto)



ADVERTENCIA

PARA SU SEGURIDAD:

1. Una instalación, ajuste, alteración, reparación o mantenimiento inadecuados pueden causar lesiones o daños a la propiedad.
2. Lea atentamente las instrucciones de instalación, funcionamiento y mantenimiento del equipo antes de instalarlo, ponerlo en marcha o darle servicio.
3. El no seguir estas instrucciones puede ocasionar un incendio o una explosión, con sus consecuentes daños a la propiedad, lesiones personales y hasta accidentes fatales.
4. Este manual de instrucciones contiene información importante necesaria para un correcto ensamblaje y uso seguro del aparato.
5. Lea y siga todas las instrucciones y advertencias antes de ensamblar y usar el producto.
6. Obedezca todas las advertencias e instrucciones cuando use el equipo.
7. Guarde este manual para referencia futura.



PELIGRO

Si huele a gas -

1. Cierre la entrada de gas al aparato.
2. Apague cualquier llama activa.
3. Si el olor persiste, manténgase alejado del aparato y llame inmediatamente a su proveedor de gas o al departamento de bomberos.

El no seguir estas instrucciones puede ocasionar un incendio o una explosión, con sus consecuentes daños a la propiedad, lesiones personales y hasta accidentes fatales.



ADVERTENCIA

PARA SU SEGURIDAD:

1. No guarde o use gasolina u otros líquidos o vapores inflamables cerca de esta unidad o de cualquier otro aparato.
2. Un tanque de propano líquido que no esté conectado para su uso no se debe almacenar cerca de éste o cualquier otro aparato.



PELIGRO

Nunca deje este artefacto encendido sin vigilancia.

IMPORTANTE

Después de cada uso, siempre prepare la superficie siguiendo las instrucciones del párrafo "Preparación de la plancha de la parrilla".

Índice

| | |
|---|----------|
| Salvaguardias importantes | Página 2 |
| Despiece y elementos de ferretería | 4 |
| Instrucciones de armado | 5 |
| Instalación del tanque de gas propano | 6 |
| Instrucciones de operación | 6 |
| Limpieza y cuidado | 7 |
| Registro del producto | 8 |
| Piezas de repuesto | 8 |
| Garantía limitada | 8 |
| Resolución de problemas | 9 |

El uso e instalación de este producto ha de realizarse de acuerdo con los códigos locales. Si no existen códigos locales, use las normas siguientes: ANSI Z223.1/NFPA 54 del *National Fuel Gas Code (Código nacional de gas combustible)*, ANSI/NFPA 58 (*Storage and Handling of Liquefied Petroleum Gases/ Código de manipulación y almacenaje de gases de petróleo licuado*), del *Liquefied Petroleum Gas Code (Código de sobre gas de petróleo licuado)*, CSA B149.1, ANSI Z223.1/NFPA 54, *Natural Gas and Propane Installation Code (Código de instalación de propano y gas natural)*, CAN/CGA-B149.1, o el *Propane Storage and Handling Code (Código de manipulación y almacenaje de propano)* B149.2, o la norma sobre vehículos recreativos ANSI A 119.2/NFPA 1192, y CSA Z240 *RV Series (Código sobre vehículos recreativos)*, según aplique.

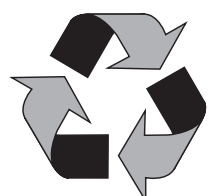
ESTE MANUAL DE INSTRUCCIONES CONTIENE INFORMACIÓN IMPORTANTE SOBRE LA SEGURIDAD. POR FAVOR, LÉALO Y CONSÉRVELO PARA FUTURAS CONSULTAS.

Si está montando esta unidad para otra persona, entréguele este manual para futuras consultas.

⚠ ADVERTENCIA: Este producto puede exponerle a sustancias químicas, entre ellas, monóxido de carbono, hollín, plomo y los componentes del plomo, considerados por el estado de California como causantes de cáncer, defectos de nacimiento y otros daños al sistema reproductivo. Para obtener más información, visite www.P65Warnings.ca.gov. Lávese las manos después de manipular este producto.



Fabricado en China para: RevoAce Inc. Limited
Hong Kong, China • 1.800.694.0013 • service@revoace.com
© RevoAce Inc. Limited
8:00 am a 4:00 pm hora central, de lunes a viernes.
Blue Rhino® es una marca registrada de Ferrellgas, L.P. Se utiliza con permiso.
Razor® es una marca registrada de Mr. Bar-B-Q Products LLC. Se utiliza con permiso.



Hecho con 75% de bagazo de caña (subproducto de la caña de azúcar respetuoso del medio ambiente)

GBT1860L-RA-ES-OM-F111



Salvaguardias importantes

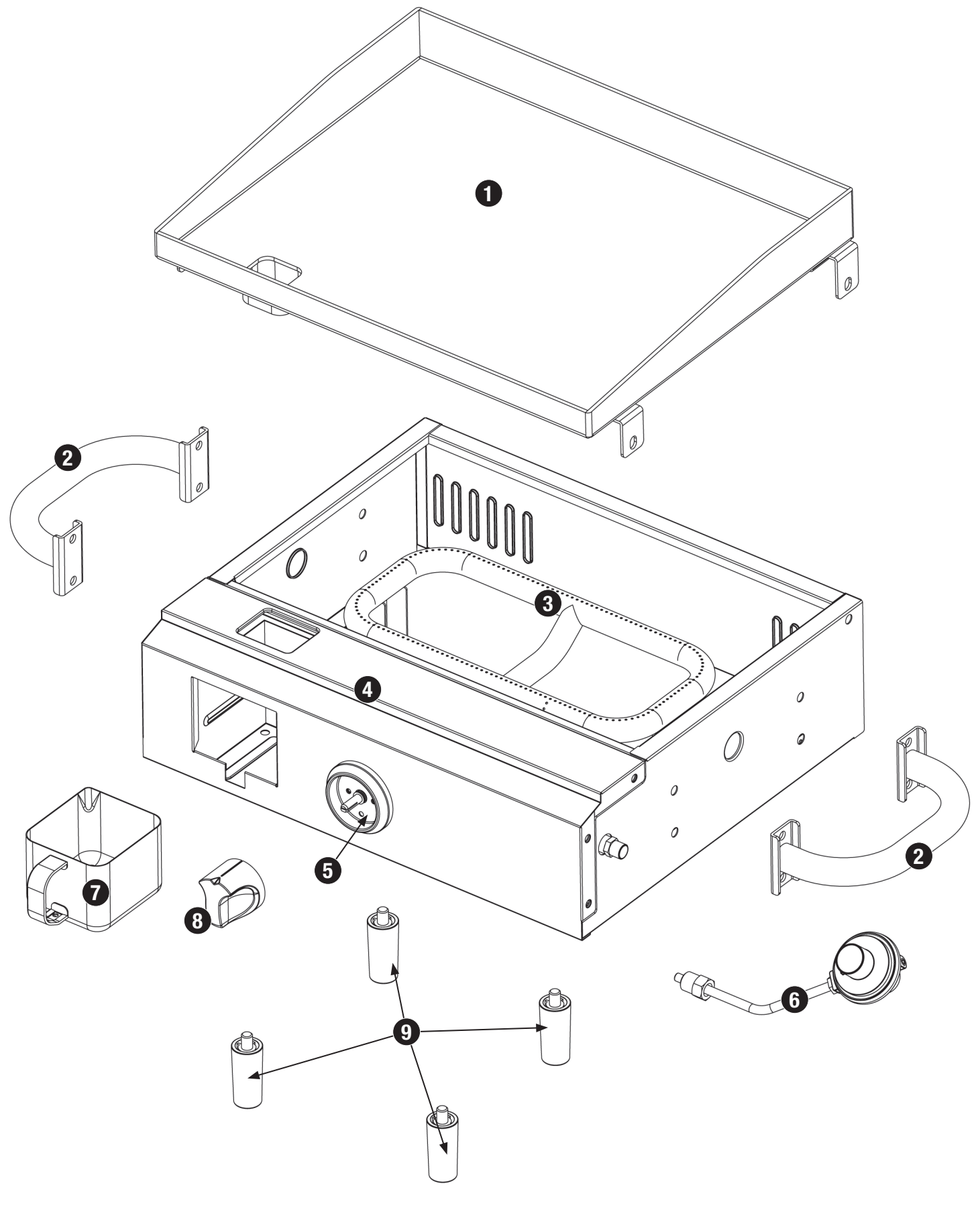
- ⚠ **PELIGRO:** El no seguir los avisos de peligro, las advertencias y las precauciones de este manual, puede ocasionar un incendio o una explosión, con sus consecuentes daños a la propiedad, lesiones personales y hasta accidentes fatales.
- ⚠ **ADVERTENCIAS:**
- ⚠ Esta parrilla con plancha es para ser usada al aire libre únicamente y no debe usarse en un edificio, garaje o cualquier otra área cerrada.
 - ⚠ NO opere, encienda o use esta unidad a menos de diez (10) pies (3,05 m) de paredes, estructuras o edificaciones.
 - ⚠ Para uso residencial únicamente. Esta parrilla con plancha NO ha sido diseñada para uso comercial.
 - ⚠ Esta parrilla con plancha NO ha sido diseñada como calentador y nunca se la debe utilizar como tal. Gases TÓXICOS pueden acumularse y provocar la asfixia.
 - ⚠ NO es una parrilla con plancha de sobremesa. Por lo tanto, NO coloque esta parrilla con plancha sobre ningún tipo de superficie de sobremesa.
 - ⚠ Esta parrilla con plancha cuenta con certificación de seguridad para uso en los Estados Unidos y Canadá solamente. NO debe modificarse para uso en ningún otro lugar. La modificación resultará en un peligro de seguridad y anulará la garantía.
 - ⚠ Esta parrilla con plancha utiliza únicamente gas de propano líquido como combustible. El convertir o tratar de convertir esta parrilla con plancha de gas propano líquido para ser usada con gas natural es peligroso e invalida la garantía de la unidad.
 - ⚠ No recaliente la parrilla con plancha ya que puede dañarla y generar un incendio o explosión que puede provocar la muerte, lesiones corporales graves o daños a la propiedad.
 - ⚠ Características del propano líquido (PL):
 - a. El propano es inflamable y resulta peligroso si se manipula inadecuadamente. Antes de utilizar cualquier producto que emplee propano líquido, estudie detenidamente sus características.
 - b. El gas de propano líquido es explosivo bajo presión, más denso que el aire, se asienta y se acumula a poca altura.
 - c. En su estado natural, el propano no tiene ningún olor. Para su seguridad, se añade una esencia odorífera que huele a col podrida.
 - d. El contacto directo con el propano líquido puede causar quemaduras frías en la piel.
 - ⚠ Habitantes de apartamentos: Comuníquese con la administración para obtener los requisitos y los códigos de incendio para uso de una parrilla con plancha a gas propano líquido en su complejo de apartamentos. Si está permitido su uso, coloque la unidad en exteriores, sobre el suelo con una distancia de diez (10) pies (3 m) de paredes o barandas. No debe usarse en balcones ni debajo de estos.
 - ⚠ Únicamente tanques marcados "Propano" pueden usarse en esta unidad.
 - ⚠ El tanque de gas propano líquido (PL) debe estar fabricado y comercializado según las *Especificaciones para tanques de gas PL del Departamento de Transporte (DOT) de EE.UU. o del Estándar nacional de Canadá, CAN/GSA-B339 sobre tanques, esferas y tubos para el transporte de mercancías peligrosas.*
 - ⚠ Verifique que el tanque de propano cuenta con mecanismo de extracción de vapor.
 - ⚠ Los tanques de propano líquido abollados u oxidados pueden ser peligrosos y deberían ser revisados por su proveedor de gas PL antes de utilizarlos.
 - ⚠ No deje caer el tanque de gas propano líquido ni la maneje bruscamente.
 - ⚠ Los tanques de propano deben almacenarse en exteriores, en un lugar al aire libre siempre fuera del alcance de los niños y nunca en un garaje, edificio o espacio cerrado. Nunca almacene tanques de gas en un lugar en el que la temperatura supere los 125°F (51,5°C).
 - ⚠ NO inserte ninguna herramienta ni objeto extraño en la salida de la válvula ni en la válvula de seguridad. Podría dañar la válvula y causar una fuga. Una fuga de gas propano puede resultar en explosión, incendio, lesiones personales graves o la muerte.
 - ⚠ NO bloquee los orificios situados a los lados y en la parte posterior de la parrilla con plancha.
 - ⚠ No ponga nunca un tanque de gas propano lleno en un carro o camioneta calientes. El calor podría hacer que la presión del gas aumentase, lo que abriría la válvula de seguridad y haría que se escapase el gas.
 - ⚠ Nunca guarde un tanque adicional de propano debajo de esta parrilla con plancha o a menos de 25 pies (7,62 m) de este artefacto.
 - ⚠ No intente nunca acoplar esta parrilla con plancha al sistema de propano de un campero, de una casa móvil o de su propia casa.
 - ⚠ El uso de bebidas alcohólicas, medicamentos o drogas de farmacia puede afectar la habilidad del usuario para armar debidamente u operar en forma segura este artefacto.
 - ⚠ No use nunca carbón de leña, líquido para encendedor, rocas de lava, gasolina, queroseno o alcohol con este artefacto.
 - ⚠ NUNCA utilice líquido encendedor, piedras volcánicas, gasolina, queroseno o alcohol en este artículo.
 - ⚠ Todas las conexiones de gas de su parrilla con plancha han sido verificadas en fábrica en cuanto a fugas de gas. Sin embargo, pruebe la integridad de todas las conexiones de acuerdo con las instrucciones de operación de este manual ya que el movimiento en transporte puede aflojar algunas de ellas.
 - ⚠ Verifique que no haya fugas aún si el artefacto ha sido armado por otra persona.
 - ⚠ NO opere la unidad si hay una fuga de gas. Las fugas de gas pueden provocar un fuego o una explosión.
 - ⚠ Antes de operar esta unidad, debe observar todos los procedimientos para verificar que no hay fugas de gas. Para evitar cualquier riesgo de fuego o de explosión al comprobar si hay fugas:
 - a. Compruebe siempre si hay fugas antes de encender la parrilla con plancha, cada vez que el tanque de gas está conectado.
 - b. No fume. NO use o permita fuentes de ignición en el área al comprobar si hay fugas.
 - c. Siempre compruebe si hay fugas en exteriores donde hay una buena ventilación.
 - d. NO use cerillas o fósforos, encendedores o una llama para comprobar si hay fugas.
 - e. El uso de bebidas alcohólicas, medicamentos o drogas de farmacia puede afectar la habilidad del usuario para armar debidamente u operar en forma segura este aparato.
 - f. Los olores fuertes, los resfríos, la congestión de los senos nasales, etc. pueden evitar la detección del gas propano. Tenga cuidado y sentido común al hacer pruebas para detectar fugas.
 - g. NO use la parrilla con plancha hasta que todas las fugas hayan sido reparadas. Si no puede parar una fuga, desconecte el tanque de propano. Llame a un técnico de servicio de artefactos a gas o a su proveedor de propano local.
 - ⚠ No guarde o use gasolina u otros líquidos o vapores inflamables a menos de 25 pies (7,62 m) de esta unidad.
 - ⚠ NO utilice el equipo en una atmósfera explosiva. Mantenga la zona de la parrilla con plancha libre de materiales combustibles, gasolina y cualquier otro vapor o líquido inflamable.
 - ⚠ El espacio mínimo entre los laterales y la parte posterior de la unidad y la construcción combustible es de 21 pulgadas (53 cm). NO use esta parrilla con plancha debajo de aleros o bajo techo.
 - ⚠ Es fundamental mantener limpio el regulador y su válvula, los quemadores y los conductos de aire circulante. Inspeccione la parrilla con plancha antes de cada uso.
 - ⚠ NO altere la parrilla con plancha de ninguna forma. Toda alteración anulará la garantía.
 - ⚠ No utilice la parrilla con plancha a menos que esté COMPLETAMENTE montada y que todas las piezas estén bien fijadas y apretadas.
 - ⚠ Esta parrilla con plancha debe limpiarse y verificarse completamente de manera regular. Limpie y revise la manguera antes de cada uso del aparato. Si detecta alguna señal de abrasión, desgaste, cortes o fugas, deberá sustituir la manguera antes poner en marcha el aparato.

- ▲ Utilice únicamente el regulador incluido. Utilice únicamente el regulador de repuesto especificado por RevoAce Inc. Limited.
- ▲ NO trate de reparar ni alterar el regulador debido a algún "supuesto" defecto. Toda modificación a este ensamble anulará la garantía y creará el riesgo de fuga de gas e incendio. Use sólo piezas de repuesto autorizadas suministradas por el fabricante.
- ▲ Use únicamente piezas de repuesto autorizadas por RevoAce Inc. Limited El uso de cualquier pieza no autorizada de fábrica puede ser peligroso. Su uso invalida su garantía.
- ▲ No encienda esta unidad sin haber leído las instrucciones de operación que se encuentran en este manual.
- ▲ NO toque las piezas de metal de la parrilla con plancha hasta que no se haya enfriado completamente para evitar quemaduras, a menos que usted tenga puestos elementos de protección tales como guantes o almohadilla para las ollas, guantes de barbacoa, etc.
- ▲ NO instale o utilice este artefacto en embarcaciones o vehículos recreativos (RV).
- ▲ NO use esta parrilla con plancha en la maleta de un vehículo, camioneta, camión liviano, minivan, vehículo utilitario deportivo (SUV).
- ▲ Cuando esté cocinado, tenga fácilmente accesibles los elementos para extinguir un incendio. En caso de que la sustancia de freír se incendie no trate de extinguir el fuego con agua. Use un extintor de material químico seco tipo BC o ahogue el fuego con tierra, arena o soda de hornear.
- ▲ Coloque las mangueras de gas lo más lejos posible de superficies calientes y grasa caliente.
- ▲ NO utilice la parrilla con plancha si hace mucho viento.
- ▲ Nunca se apoye sobre la parrilla con plancha cuando la está encendiendo.
- ▲ No deje una parrilla con plancha encendida sin vigilancia, especialmente, mantenga los niños y las mascotas lejos de la parrilla con plancha en todo momento.
- ▲ NO deje la parrilla con plancha sin supervisión al precalentar o quemar residuos de alimentos con la perilla en la graduación más alta. Si la parrilla con plancha no ha sido limpiada, puede incendiarse la grasa y dañar el producto.
- ▲ NO coloque los recipientes de cocción sobre el artefacto mientras está en funcionamiento.
- ▲ Tenga cuidado al colocar cosas sobre la parrilla con plancha cuando ésta se encuentre en funcionamiento.
- ▲ NO intente mover la parrilla con plancha mientras esté encendida. Deje que la parrilla con plancha se enfríe antes de moverla o guardarla.
- ▲ El tanque de gas propano líquido debe desconectarse correctamente y retirarse antes de mover esta parrilla con plancha.
- ▲ El almacenamiento de la parrilla con plancha en un espacio cerrado sólo está permitido si el tanque está desconectado, desmontado de la parrilla con plancha y guardado al aire libre.
- ▲ NO trate de desconectar el regulador de gas del tanque, o cualquier otro accesorio de la línea de gas, mientras esté usando la parrilla con plancha.
- ▲ Desconecte el tanque de gas cuando no lo esté utilizando.
- ▲ Coloque siempre la parrilla con plancha sobre una superficie firme, nivelada y no combustible. Una superficie de asfalto o de pavimento puede que no sea adecuada para este propósito.
- ▲ NO use la parrilla con plancha sobre plataformas o patios de madera.
- ▲ Mantenga todos los cables eléctricos lejos de una parrilla con plancha caliente.
- ▲ Después de un período de almacenamiento o de falta de uso de la unidad, verifique que no haya fugas u obstrucciones en el quemador.
- ▲ El no esperar cinco minutos para permitir que el gas salga de la parrilla con plancha cuando el gas no se ha encendido, puede provocar una llamarada explosiva.
- ▲ Nunca opere la parrilla con plancha antes de haber instalado la(s) placa(s) de distribución de calor.
- ▲ Use siempre un termómetro para carne para asegurar que la comida ha quedado cocida a la temperatura apropiada.
- ▲ Por favor, use guantes de protección cuando esté armando este producto.
- ▲ NO trate de forzar las piezas juntas pues esto puede ocasionar lesiones o dañar el artefacto.
- ▲ Nunca cubra la totalidad del área de cocción con papel de aluminio. Colocar el papel de aluminio en las rejillas puede restringir el flujo de aire previsto dentro de la parrilla, crear barreras para el flujo adecuado de grasa hacia el colector, lo que prepara el escenario para que se acumule un montón en la bandeja inferior, que a su vez, se acumula El potencial de incendios de grasa y llamaradas.
- ▲ El no seguir exactamente las instrucciones dadas arriba puede producir daños a la propiedad, lesiones serias y hasta fatales.

Lista de piezas

| | | |
|----------|----------------------------------|-----------|
| 1 | Superficie de la plancha* | G1860-010 |
| 2 | Manija lateral (2) | G1860-020 |
| 3 | Quemador* | G1860-030 |
| 4 | Base de la parrilla con plancha* | G1860-040 |
| 5 | Bisel de la perilla de control* | G1205-200 |
| 6 | Regulador | G1860-050 |
| 7 | Taza para la grasa | G1860-060 |
| 8 | Perilla de control | G0900-080 |
| 9 | Pata (4) | G1860-070 |

* Viene previamente ensamblado

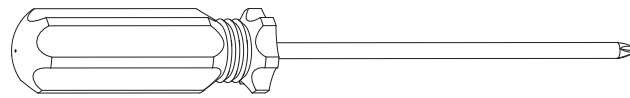
Despiece

Elementos de ferretería

| | | | |
|----------|----------|---|-------|
| A | Tornillo | Niquelado, de cabeza Phillips abombada, M6x15 | 8 pzs |
|----------|----------|---|-------|

Herramientas necesarias para el armado (no incluidas)

Destornillador en cruz (Phillips) no. 2

1 pz



Instrucciones de armado

1

NO DEVUELVA EL PRODUCTO AL LUGAR DE COMPRA.

Si necesita ayuda llame, sin cargo, al **1.800.694.0013**. Por favor tenga a mano su manual y el model no. de la unidad, para referencia.

Nota: El número del modelo se encuentra en la parte trasera de la parrilla con plancha.

Para facilitar el armado:

1. Elija el lugar en el que armará este producto. Para proteger los componentes, elija una superficie lisa, sin fisuras ni hendijas.
2. Presente todas las piezas.
3. Ajuste todas las conexiones de los elementos de ferretería, primero en forma manual. Luego, después de completar cada paso, ajústelos por completo. Tenga cuidado de no ajustar demasiado. Se podrían dañar las superficies o forzar las roscas.
4. Para obtener mejores resultados, siga todos los pasos en el orden indicado.

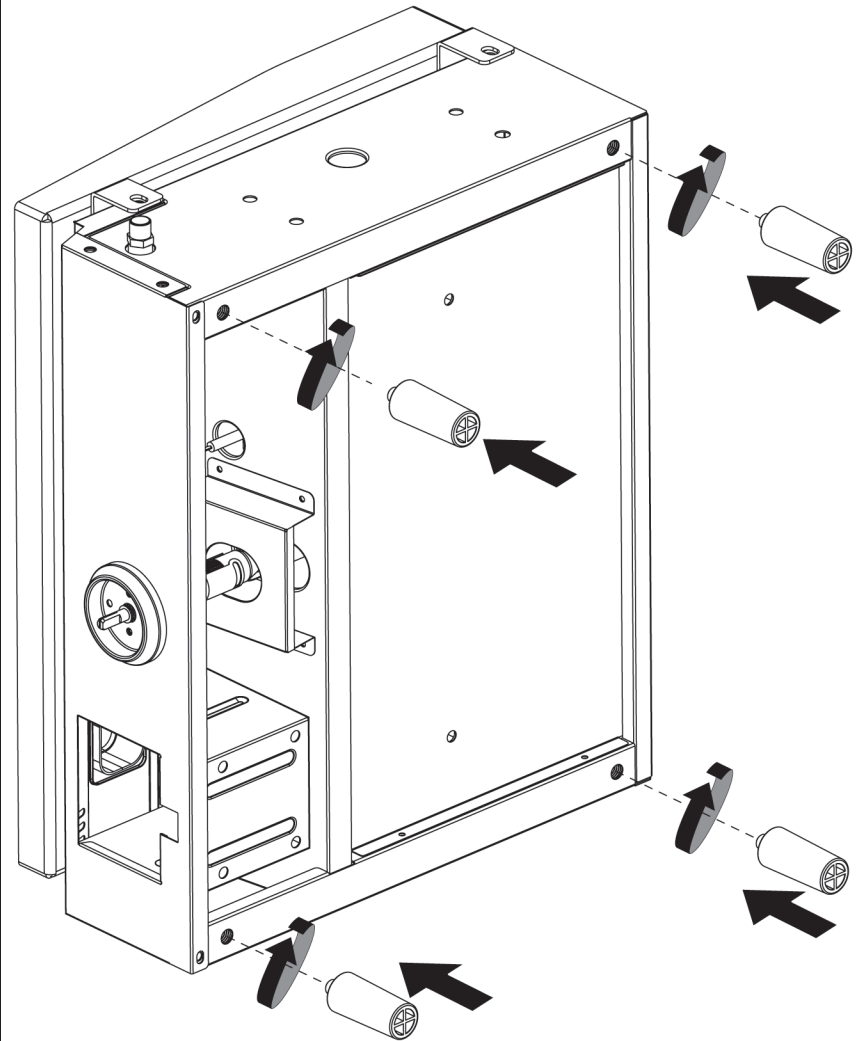
Una vez armada, necesitará:

- una (1) solución para detección de fugas. Las instrucciones sobre cómo preparar esta solución se encuentran en la sección "Instrucciones de operación."
- un (1) tanque de propano de 14,1 onzas o un (1) tanque de 16,4 onzas (1 libra ó aprox 450 g) (non incluidas)

Tiempo de armado estimado: 30 minutos.

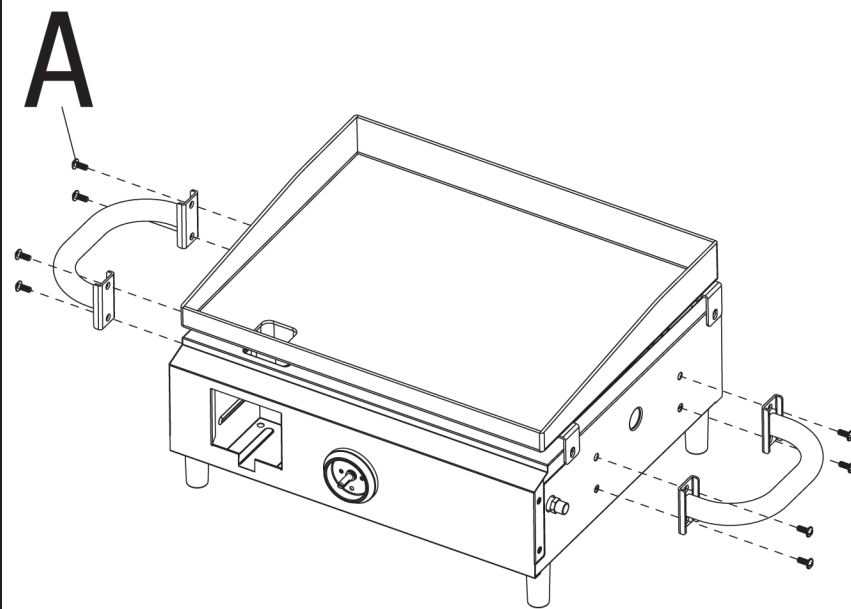
2

Acople las patas



3

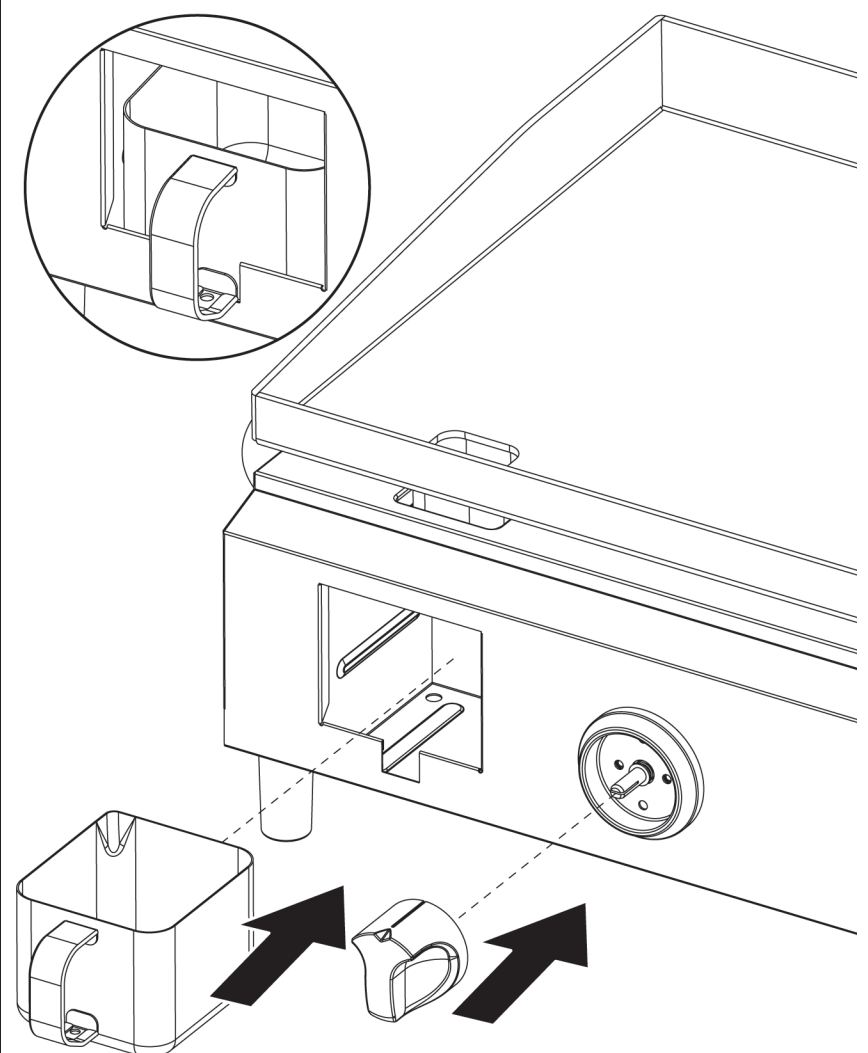
Acople las manijas laterales



A  x 8

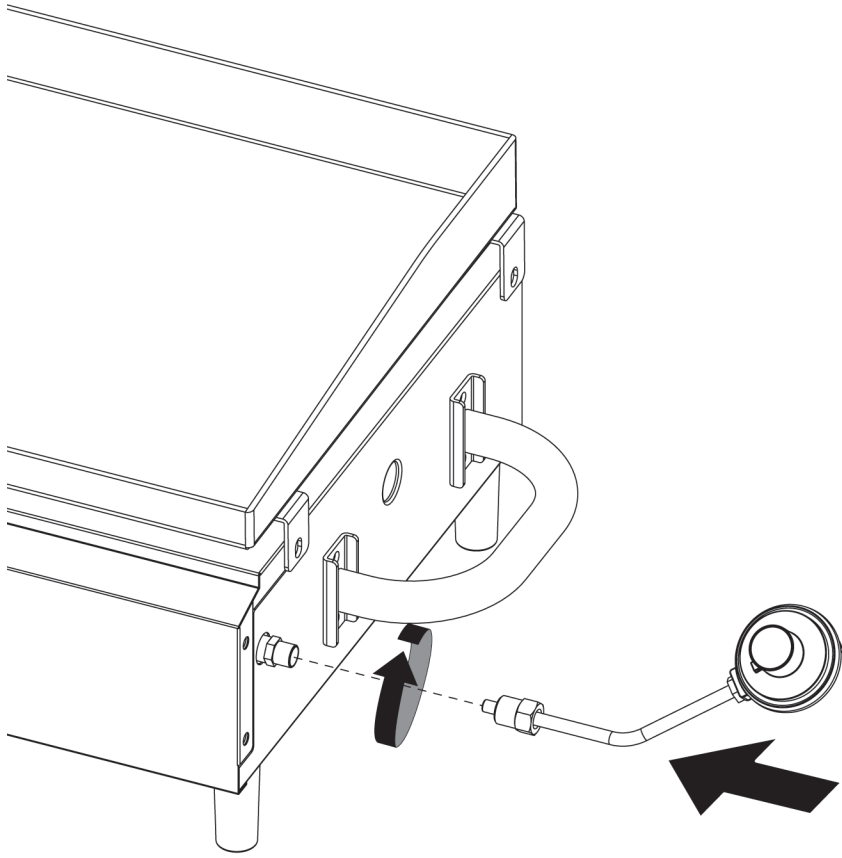
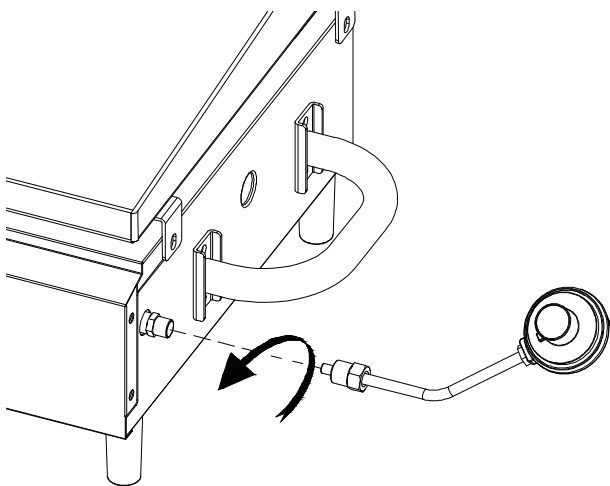
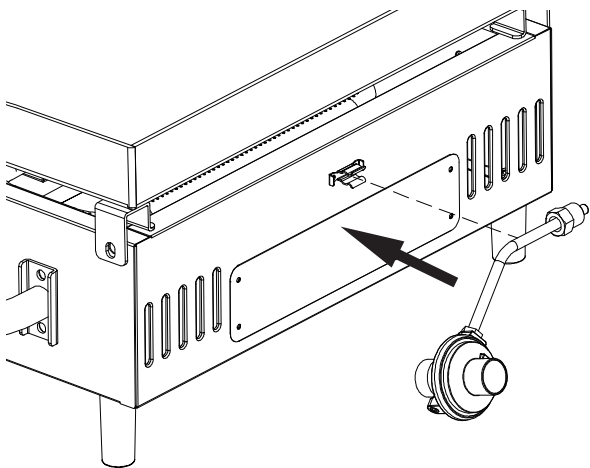
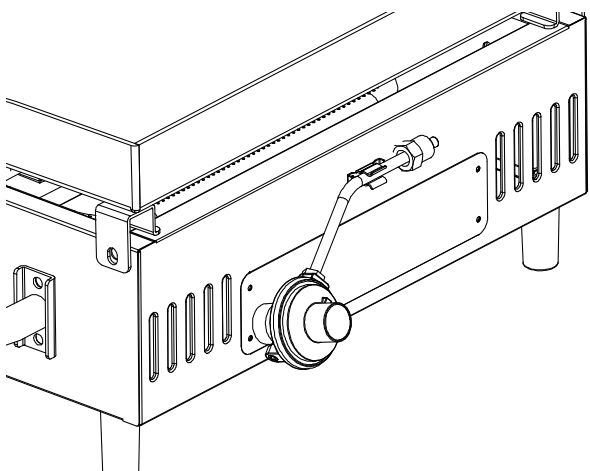
4

Instale la taza para la grasa y la perilla de control



Instrucciones de armado (continuación)
5
Instale el regulador

Nota: Después de instalado, el conjunto de regulador y válvula de control rotará libremente para acomodar el tanque de propano.


Memoria del regulador
1

2

3

IMPORTANTE

Después de usar la plancha por primera vez y luego después de cada uso, siempre prepare la superficie siguiendo las instrucciones del párrafo “Preparación de la plancha de la parrilla”.

Instalación del tanque de gas propano líquido (PL)

Esta parrilla con plancha ha sido diseñada para funcionar con un tanque de propano de una libra (aprox. 450 g) (cilindro DOT 39), de 7,75 pulg. (19,7 cm) o 10,6 pulg. (26,9 cm) de altura, desechable, de 14,1 o 16,4 onzas (ver Figura 1).

NO TRATE DE RELLENAR NINGÚN TANQUE DE GAS PROPANO DE 1 LIBRA (16,04 oz o 14,1 oz)!

Conectar el tanque de gas propano líquido

Use únicamente tanques de gas marcados “propano.”

Nota: Algunos tanques de gas de 1 libra (aprox. 450 g) pueden formar “escarcha” cuando están casi vacíos.

1. Asegúrese de que la perilla de control del regulador esté a la posición “OFF” (Apagado) (vea la Figura 3).
2. Lubrique la rosca del regulador con vaselina de petróleo. Alinee la rosca del tanque de propano con la perilla de control del regulador.
3. Inserte y gire el tanque de gas propano líquido en el sentido de las manecillas del reloj hasta que encaje firmemente. **APRIETE A MANO SOLAMENTE.** Tenga cuidado de no dañar la rosca al apretarlo en el tanque (vea Figura 4).
4. Haga una prueba de fugas. Vea la sección “Inspección de fugas.”

Figura 1

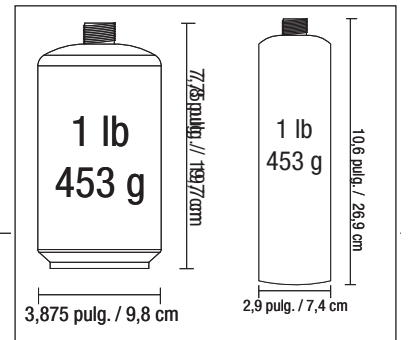


Figura 2

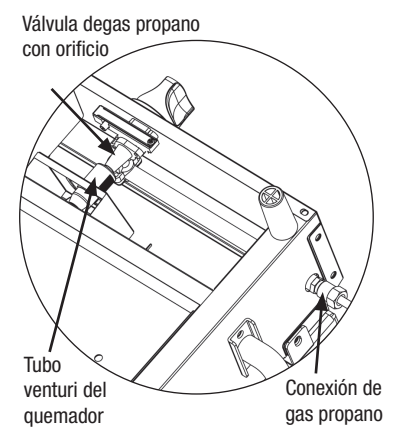


Figura 3



Figura 4

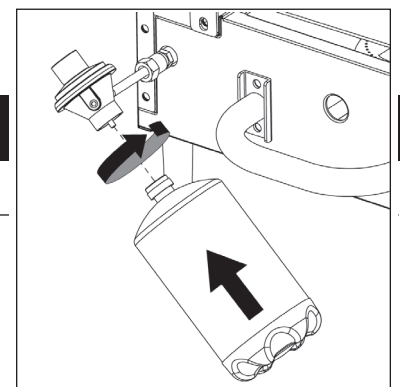
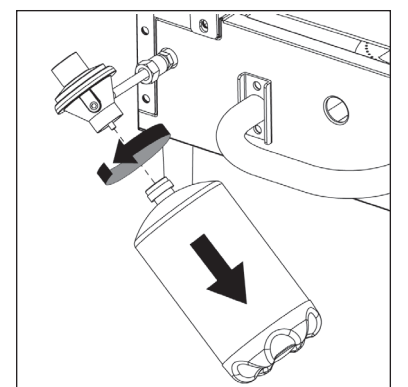


Figura 5


Desconecte el tanque de gas propano líquido

⚠ PRECAUCIÓN: La fuente de suministro de gas debe estar retire cuando no use esta unidad.

1. Gire la perilla de control del regulador a la posición “OFF” (Apagado), vea Figura 3.
2. Gire el tanque de gas propano líquido en sentido contrario a las manecillas del reloj, hasta que se afloje (vea Figura 5).
3. Almacene el tanque de gas propano líquido en un lugar adecuado.

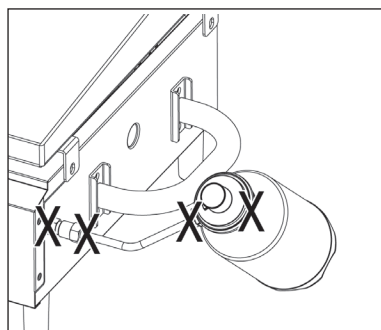
Instrucciones de operación
Detección de fugas
Conexiones del quemador

1. Asegúrese de conectar adecuadamente el regulador.
Notas: La tuerca de latón debe girarse ¼ a ½ vuelta una vez apretada. El regulador girará 360° aunque la tuerca de latón este apretada.
 2. Verifique visualmente la conexión entre el tubo del quemador y el regulador (vea la Figura 6).
 3. Asegúrese de que el quemador/tubo de venturi esté colocado sobre el orificio (vea la Figura 2).
- ⚠ ADVERTENCIA: El no inspeccionar esta conexión o seguir debidamente estas instrucciones puede causar incendio o explosión lo cual puede ocasionar la muerte, graves lesiones o daños a la propiedad.**
4. Sírvase consultar el diagrama para asegurar una instalación correcta (vea las Figuras 2 y 6).

Instrucciones de operación (continuación)

- Si el quemador/tubo de venturi no se asienta al ras con el orificio, como se muestra, sírvase llamar al 1.800.694.0013 para solicitar asistencia técnica.
- Si el quemador y el regulador no encajan correctamente o si tiene preguntas, llame al 1.800.694.0013 para solicitar asistencia técnica.

Figura 6



Conexión de la línea de gas y del tanque

- Prepare unos 80 ml de solución para comprobar si hay fugas mezclando una parte de jabón líquido para lavar platos y tres partes de agua.
- Asegúrese de que la perilla de control está en la posición "OFF" (Apagado) vea la Figura 3.
- Vierta solución de detección de fugas en todas las ubicaciones marcadas con "X" (vea la Figura 6).
 - Si aparecen burbujas, retire el tanque de propano, vuelva a conectar el tanque y verifique que la conexión está segura.
 - Si sigue observando burbujas después de varios intentos, desconecte el tanque de propano de acuerdo con las instrucciones "Desconectar el tanque de gas propano líquido" y llame al número de teléfono 1.800.694.0013 para solicitar asistencia técnica.
 - Si no aparecen burbujas por un lapso de un minuto, cierre el gas girando la perilla del regulador "OFF" (Apagado) y limpie la solución para continuar el proceso.

Figura 7

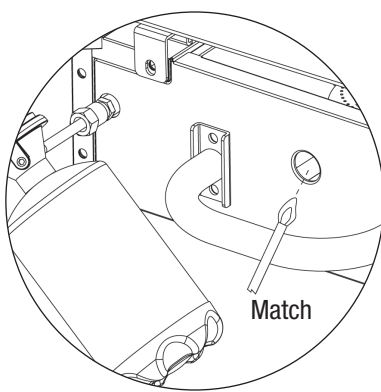
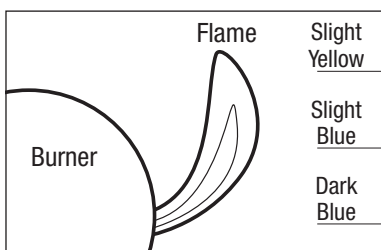


Figura 8



Uso por primera vez

- Verifique que todos los empaques, etiquetas y envolturas de protección hayan sido retirados de la parrilla.
- Encienda la parrilla con plancha siguiendo las instrucciones de la sección "Para encender".
- Retire todo aceite de fabricación que encuentre en la unidad antes de usar la parrilla por primera vez, encendiendo la parrilla por lo menos por 15 minutos (Alto). Esto realizará una "limpieza por calor" de las piezas internas de la unidad y disipará los olores.
- Prepare la plancha con aceite siguiendo las instrucciones de la sección "Preparación de la plancha con aceite".

Funcionamiento de la parrilla con plancha a gas propano

Encendido

- PRECAUCIÓN:** Mantenga el área de la parrilla a gas para exteriores libre de materiales combustibles, gasolina y otros vapores y líquidos inflamables.
 - PRECAUCIÓN:** NO obstruya el flujo de aire de combustión y ventilación.
 - PRECAUCIÓN:** Asegúrese de que no hayan insectos ni nidos de insectos en el quemador/tubos venturi. Un tubo obstruido puede causar un incendio.
 - PRECAUCIÓN:** NO use productos en aerosol no adherentes para cocinar ya que contienen mucha agua y pueden quemarse y adherirse a la plancha, dañando la superficie.
 - PRECAUCIÓN:** NO use aceite de maíz ya que contiene elevados niveles de azúcar, el cual se puede caramelizar y adherirse a la superficie.
- Asegúrese de que no hay nada que obstruya el flujo de aire hacia los quemadores. Arañas y otros insectos pueden formar sus nidos dentro y obstruir los orificios del quemador/tubo de venturi. Un tubo de quemador/tubo de venturi obstruido puede provocar un incendio.
 - La perilla de control debe estar en la posición "OFF" (Apagado) (vea la Figura 3).
 - Conecte el tanque de gas propano siguiendo las instrucciones descritas en la sección "Conectar el tanque de gas propano".
 - Presione y gire cualquier perilla de control a la posición (Alto). El quemador debe encenderse. Si no lo hace, repita por lo menos tres veces.
 - Si no enciende en 5 segundos, gire la perilla de control a "OFF" (Apagado), espere 5 minutos y repita el procedimiento de encendido.
 - En caso de que el encendedor no encienda el quemador, use una cerilla encendida para encender el quemador manualmente.
 - Llegue al quemador por el agujero del fondo de la carcasa como se ilustra (vea la Figura 7).
 - Gire la perilla de control a la posición (Bajo) y acerque la cerilla encendida por el costado del quemador.

- Después de encender el quemador observe su llama y asegúrese de que todos los orificios estén encendidos y que la altura de la llama corresponda a la del diagrama (vea la Figura 8).

PRECAUCIÓN: Si la llama del quemador se apaga durante el funcionamiento, inmediatamente gire la perilla de control a la posición "OFF" (Apagado) y durante 5 minutos deje que se despeje el gas antes de volver a encenderlo.

Apagado:

PRECAUCIÓN: Retire el tanque de gas propano cuando no use esta unidad.

- Gire la perilla de control a la posición "OFF" (Apagado) (vea la Figura 3).
Nota: Es normal escuchar el sonido "poof" cuando se consume lo último del gas propano.
- Desconecte el tanque de gas propano de acuerdo con las instrucciones "Desconectar el tanque de gas propano".
- Prepare la plancha con aceite siguiendo las instrucciones de la sección "Preparación de la plancha con aceite".

Cocción

PRECAUCIÓN: No deje la parrilla con plancha sin supervisión al precalentar o quemar residuos de alimentos con la perilla en la posición (alto). Si la parrilla con plancha no ha sido limpiada, puede incendiarse la grasa y dañar la parrilla con plancha.

- Encienda la parrilla con plancha según las instrucciones de la sección "Encendido".
- Haga un calentamiento previo de la plancha en (Alto).
- Ajuste la perilla de control a la altura de llama deseada.
- Use guantes de protección y pinzas de mango largo para colocar los alimentos sobre la superficie de la plancha.
- Cocine los alimentos hasta alcanzar la temperatura interna del alimento.
- Apague la parrilla siguiendo las instrucciones de la sección "Apagado".

Control de las llamaradas cuando se utiliza gas propano o carbón de leña.

PRECAUCIÓN: No se pueden apagar fuegos de grasa cerrando la tapa.

- Si se produce un incendio por grasa, gire la perilla de control a la posición "OFF" (Apagado). NO use agua para apagar un incendio producido por grasa. La grasa puede salpicar y causar graves quemaduras, lesión corporal y otros daños.
- NO deje la parrilla con plancha desatendida cuando esté haciendo un calentamiento previo o quemando residuos de alimentos en la posición (Alto). Si no se ha limpiado la plancha, puede producirse un incendio por grasa.

ADVERTENCIA: Cuando esté usando la parrilla con plancha, debe tener fácilmente a su alcance materiales para extinguir el fuego. En caso de una llamarada de aceite o de grasa, no trate de extinguirla con agua. Use un extinguidor de incendio de sustancias químicas secas, tipo BC, o asfíxiele el fuego con tierra, arena o soda de hornear. NO use agua para apagar el fuego.

La llamarada es parte de la cocción de carne en una parrilla con plancha y le da al asado un sabor único.

La generación excesiva de llamaradas puede recocinar su comida y resultar peligroso.

Importante: Las llamaradas excesivas resultan de la acumulación de grasa en el fondo de la parrilla con plancha.

Si se produce un incendio por la grasa, gire la perilla de control a la posición "OFF" (Apagado) hasta que la grasa se consuma.

En caso de llamaradas excesivas, NO trate de extinguirlas con agua.

Haga mínimas las llamaradas

- Retire el exceso de grasa de la carne antes de cocerla.
- Cuando cueza carnes de alto contenido de grasa, ponga la parrilla con plancha a bajo fuego en la graduación (Bajo) o cueza la carne a fuego indirecto.
- Verifique que la parrilla con plancha ha quedado colocada sobre una superficie no combustible, nivelada y firme, y que la grasa pueda evacuarse hasta el recogedor de grasa.

Limpieza y cuidado

PRECAUCIÓN:

- La limpieza y mantenimiento deben hacerse con la plancha fría y con la unidad de suministro de combustible desconectada.
- NO limpie ninguna parte de la parrilla con plancha en un horno con autolimpieza. El calor extremo dañará el acabado.
- NO agrande los orificios de las válvulas o los puertos de los quemadores al limpiar las válvulas o los quemadores.

Instrucciones de operación (continuación)

Avisos

1. Esta parrilla con plancha debe limpiarse y verificarse completamente de manera regular.
2. No use productos de limpieza abrasivos pues dañarán este aparato.
3. Nunca use ninguna pieza de esta parrilla con plancha en un horno de limpieza automática.

Cada vez que vaya a usar la unidad:

1. Mantenga el rededor de la unidad limpio y libre de materiales combustibles, gasolina, y otros líquidos y vapores inflamables.
2. No obstruya el flujo de aire de combustión del propano líquido ni el aire de ventilación.
3. Mantenga la abertura o aberturas de la zona del tanque de gas propano líquido abiertas y libres de basura.
4. Visualmente examine la llama del quemador para estar seguro de que la parrilla con plancha está funcionando adecuadamente (vea la Figura 9).
5. Vea las instrucciones de limpieza más adelante para verificar que las observa apropiadamente.
6. Examine y limpie el quemador y los tubos del venturi de insectos y nidos de insectos. Un tubo atascado puede provocar un incendio.

Limpieza de las superficies

1. Limpie las superficies con un detergente suave de lavado de platos o con soda de hornear mezclada con agua.
2. En superficies de limpieza difícil, use un desengrasador a base de cítricos y un cepillo de nilón.
3. Enjuague las superficies con agua limpia.
4. Deje las superficies secar al aire libre.

Limpieza del quemador

1. Apague la unidad siguiendo las instrucciones de la sección "Apagado".
2. Desconecte el tanque de gas propano siguiendo las instrucciones de la sección "Desconectar el tanque de gas propano".
3. Desinstale la perilla de control.
4. Desinstale la plancha levantándola del carrito.
5. Desinstale los quemadores retirando los sujetadores que aseguran los quemadores a la base de la estructura.
6. Levante los quemadores alejándolos de orificio de la válvula de gas.
7. Limpie la superficie del quemador todo residuo de comida o suciedad.
8. Desconecte el alambre del electrodo de encendido.
9. Limpie el orificio de entrada del quemador con un cepillo pequeño de limpiar botellas o con aire comprimido.
10. Limpie cualquier orificio que encuentre tapado con un alambre rígido, tal como un sujetapapeles abierto.
11. Examine el quemador para detectar daños como rajaduras o huecos. Si encuentra algún daño reemplace el quemador con un quemador nuevo del fabricante.
12. Vuelva a instalar el quemador. Verifique que el orificio de la válvula de gas está en su posición correcta dentro de cada quemador/tubo de venturi. También verifique la posición del electrodo de encendido.
13. Conecte el cable al electrodo de encendido.
14. Vuelva a colocar la plancha.
15. Conecte el tanque de gas propano siguiendo las instrucciones de la sección "Instalación del tanque de gas propano".
16. Haga una prueba de fugas siguiendo las instrucciones de la sección "Detección de fugas".

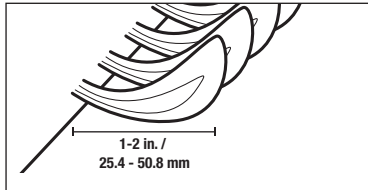
Antes de almacenar

1. Apague la unidad según se detalla en la sección "Apagado".
2. Gire todas las perillas de control en sentido de las manecillas del reloj a la posición "OFF" (Apagado).
Notas: Es normal escuchar el sonido "poof" cuando se consume lo último del gas propano.
3. Desconecte el tanque de gas propano siguiendo las instrucciones de la sección "Desconectar el tanque de gas propano".

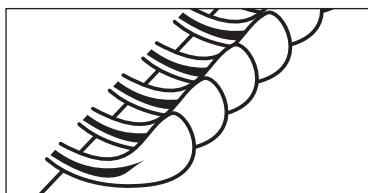
Figura 9

Condiciones de la llama en los quemadores

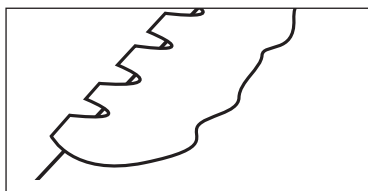
Refiérase a las siguientes figuras para ver si es necesario limpiar sus quemadores.



Normal: Llama de color azul pálido con puntas amarillas de 2,5 a 5 cm de altura



Necesita limpieza: Hace ruido y la llama es de un azul vivo.



Debe limpiarse: La llama es amarilla y ondulante.

4. Limpie todas las superficies.
5. Cubra con una capa delgada de aceite de cocinar el quemador y la parrilla de cocción para evitar que se oxide excesivamente.
6. Prepare la plancha con aceite siguiendo las instrucciones de la sección "Preparar la plancha con aceite".
7. Si va a guardar la parrilla con plancha en interiores, desconecte el tanque de gas propano siguiendo las instrucciones de la sección "Desconectar el tanque de gas propano".
8. Coloque la tapa protectora y la cubierta en el tanque de gas propano y guarde el tanque en exteriores en un área con buena ventilación y en donde no le caiga la luz solar directamente.
9. Si guarda la parrilla con plancha en interiores, cúbrala y guárdela en un lugar frío y seco.
10. Si guarda la parrilla con plancha en exteriores, cúbrala con una cubierta para parrilla con el fin de protegerla contra la intemperie.

Preparación de la plancha con aceite

Importante: prepare la plancha con aceite cada vez que la use.

Los chefs de parrilla con plancha en restaurantes de carne estilo japonés y los restaurantes de comidas rápidas siempre preparan las planchas con aceite, y es muy importante que usted haga lo mismo. La preparación con aceite ayuda a prolongar la vida útil de la plancha, crea una superficie no adherente y ayuda a prevenir el óxido.

Para obtener más información, consulte BlueRhino.com/RazorFAQ.

Utensilios necesarios para la preparación con aceite:

- Raspador o espátula de metal
- Aceite para cocinar, como aceite vegetal o aceite de oliva extra virgen
- Toallas de papel
- Piedra o lana de acero para barbacoa

⚠ PRECAUCIÓN: NO use aceite de maíz ya que contiene elevados niveles de azúcar, el cual se puede caramelizar y adherirse a la superficie de la plancha.

Primer uso

1. Encienda la plancha siguiendo las instrucciones de la sección "Encendido".
2. Mantenga los quemadores encendidos en 🔥 (Alto) durante 15 minutos.
3. Apague la plancha siguiendo las instrucciones de la sección "Apagado".
4. Deje que la plancha enfríe pero hasta que esté levemente tibia.
5. Limpie la superficie de la plancha y las paredes internas y externas con toallas de papel.
Nota: Al secar puede notar que la toalla presenta cierta decoloración. Esto es normal.
6. Aplique una capa uniforme de aceite de cocina sobre la superficie de la plancha, las paredes internas y externas con toallas de papel enrolladas.
7. Repita este procedimiento por lo menos dos veces.

Después de cada uso

1. Apague la plancha siguiendo las instrucciones de la sección "Apagado".
2. Con la plancha todavía tibia, desprenda con cuidado los residuos de alimentos con una rasqueta.
3. Limpie la superficie de la plancha y las paredes internas y externas con toallas de papel.
4. Para residuos de alimentos resistentes:
 - a. Encienda la plancha siguiendo las instrucciones de la sección "Encendido".
 - b. Coloque aceite de cocinar sobre la superficie de la plancha.
 - c. Deje que el aceite hirviendo limpie los residuos de comida.
 - d. Repita los pasos 1 a 3.
 - e. Si es necesario limpie los residuos de alimentos con una piedra de barbacoa.
 - f. Continúe con las instrucciones de la sección "Preparación de la plancha con aceite".
5. Limpie la superficie de la plancha y las paredes internas y externas con toallas de papel.
Nota: Al secar puede notar que la toalla presenta cierta decoloración. Esto es normal.
6. Aplique aceite de acabado sobre la superficie de la plancha, las paredes internas y externas colocando una capa uniforme con toallas de papel enrolladas.
7. Encienda la plancha siguiendo las instrucciones de la sección "Encendido".
8. Mantenga los quemadores en 🔥 (Alto) durante 15 minutos o hasta que el aceite de cocina produzca humo.
9. Apague la plancha siguiendo las instrucciones de la sección "Apagado".
10. Repita los pasos 6 a 9 por lo menos 2 veces más.
11. Siga las instrucciones de la sección "Antes de almacenar".

Restauración de la superficie de la plancha

1. Si la plancha está apagada, encienda siguiendo las instrucciones de la sección "Encendido" y manténgala encendida durante 10 minutos. Luego, apague la plancha siguiendo las instrucciones de la sección "Apagado".
2. Si la plancha está encendida, apáguela siguiendo las instrucciones de la sección "Apagado".
3. Con la plancha todavía tibia, use un raspador o espátula de metal para remover todo el óxido posible y los residuos de alimentos de la superficie de la plancha y las paredes internas y externas-
4. Aplique una cantidad generosa de aceite para cocinar sobre la superficie de la plancha.

Instrucciones de operación (continuación)

5. Con una piedra de barbacoa, refriegue la superficie de la plancha. Aplique más aceite para cocinar, si es necesario.
6. Limpie la superficie de la plancha y las paredes internas y externas con toallas de papel.
7. Repita los pasos 3 a 5 hasta que las toallas de papel no presenten nada de óxido.
8. Aplique aceite de cocina sobre la superficie de la plancha, las paredes internas y externas colocando una capa uniforme con toallas de papel enrolladas.
9. Encienda la plancha siguiendo las instrucciones de la sección "Encendido".
10. Mantenga los quemadores en 🔥 (Alto) durante 15 minutos o hasta que el aceite de cocina produzca humo.
11. Apague la plancha siguiendo las instrucciones de la sección "Apagado".
12. Repita los pasos 7 a 10 hasta que la superficie adquiera un atractivo color oscuro.
13. Siga las instrucciones de la sección "Antes de almacenar".

Registro del producto

Para beneficiar del servicio de garantía más rápidamente, sírvase registrar su unidad inmediatamente llamando al 1.800.694.0013.

Piezas de repuesto

Puede encontrar piezas de repuesto en llame al 1.800.694.0013.

Garantía limitada

RevoAce Inc. Limited ("fabricante") garantiza al comprador original al detal de este producto, y a ninguna otra persona, que si la unidad se arma y opera de acuerdo con las instrucciones impresas que la acompañan y por un período de un (1) año a partir de la fecha de compra, todas las piezas de este producto estarán libres de defectos en material y mano de obra. El fabricante podrá requerir prueba razonable de la fecha de compra. Por lo tanto, usted debe conservar el recibo de venta o la factura. Esta garantía limitada estará limitada a la reparación o reemplazo de las piezas que resulten defectuosas en condiciones de servicio y uso normal y las que un examen indique, a satisfacción de fabricante, que están defectuosas. Antes de devolver cualquier pieza, comuníquese con el Departamento de Servicio al Cliente de fabricante. Si fabricante confirma el defecto y aprueba el reclamo, fabricante decidirá reemplazar tales partes sin costo alguno. Si se le pide que devuelva las partes defectuosas, los costos de transporte deberán ser prepagados. El fabricante devolverá las partes al cliente con costo de transporte o envío prepagados.

Esta garantía limitada no cubre fallas o dificultades de operación debidas a accidente, abuso, mal uso, alteración, empleo en usos inapropiados, instalación defectuosa o mantenimiento o servicio inapropiado o falla en la realización de mantenimiento normal y rutinario como se prescribe en este manual del usuario. Además, la garantía limitada no cubre daños al terminado de la unidad, tales como rasguños, abolladuras, descoloridos, oxidaciones y otros daños causados por la intemperie después de la compra de la unidad.

Esta garantía limitada reemplaza cualquier otra garantía. El fabricante no asume ninguna responsabilidad por garantías de productos vendidos por quienes no sean distribuidores o vendedores al detal autorizados. Esta exención de responsabilidad incluye cualquier garantía de comerciabilidad o la garantía de aptitud para un propósito en particular. El FABRICANTE NO SE HACE RESPONSABLE POR NINGUNA GARANTIA IMPLICITA INCLUYENDO, SIN LIMITACIONES, LAS GARANTIAS IMPLICITAS DE COMERCIALIZACION Y ADAPTABILIDAD A UN PROPOSITO PARTICULAR. El FABRICANTE NO ASUME RESPONSABILIDAD ANTE EL COMPRADOR O ANTE CUALQUIER TERCERA PERSONA POR DAÑOS ESPECIALES, INDIRECTOS, PUNITIVOS, INCIDENTALES O CONSECUENCIALES. El fabricante, además, no asume responsabilidad por garantías implícitas o expresas por defectos de mano de obra causados por terceras personas.

Esta garantía limitada le da al comprador derechos legales específicos y el comprador puede tener otros derechos según el lugar donde el comprador o la compradora residan. Ciertas jurisdicciones no permiten limitaciones en cuanto a la duración de una garantía implícita, de manera que esta limitación puede no ser aplicable a usted.

El fabricante no autoriza a ninguna persona o compañía para asumir por el fabricante cualquier otra obligación a responsabilidad relacionada con la venta, instalación, uso, remoción, devolución o reemplazo de este equipo y cualquier representación de esta naturaleza no obliga a el fabricante.

RevoAce Inc. Limited
Hong Kong, China
service@revoace.com
1.800.694.0013

8:00 am a 4:00 pm hora central, de lunes a viernes.



Resolución de problemas

| Problema | Causa posible | Prevención/solución |
|---|---|--|
| El quemador no se enciende utilizando el encendedor. | El tanque de gas propano está bajo o vacío. | Reemplace el tanque de gas propano. |
| | Fuga de gas propano. | <ol style="list-style-type: none"> Desconecte el tanque de propano de acuerdo con las instrucciones "Desconectar el tanque de gas propano líquido" y guárdelo en un lugar apropiado. Espere 5 minutos para dejar que la zona quede despejada de gas. Conecte el tanque de gas propano líquido siguiendo las instrucciones descritas en la sección "Conectar el tanque de gas propano líquido". Siga las instrucciones "Detección de fugas" del manual del usuario. |
| | Cables o electrodos cubiertos con restos de alimentos. | Limpie el cable y/o electrodo con alcohol isopropílico. |
| | Los electrodos y los quemadores están mojados. | Séquelos con un paño. |
| | Electrodo agrietado o roto; chispas en las grietas. | Pueden necesitarse piezas de repuesto. Comuníquese con el Servicio al Cliente al 1.800.694.0013 |
| | Cable suelto o desconectado. | Puede ser necesario volver a conectar el cable u obtener piezas de repuesto. Comuníquese con el Servicio al Cliente al 1.800.694.0013 |
| | El cable tiene un cortocircuito (chispeo) entre el encendedor y el electrodo. | Pueden necesitarse piezas de repuesto. Comuníquese con el Servicio al Cliente al 1.800.694.0013 |
| Encendedor defectuoso. | Pueden necesitarse piezas de repuesto. Comuníquese con el Servicio al Cliente al 1.800.694.0013 | |
| El quemador no se enciende con una cerilla. | No hay flujo de gas. | <p>Compruebe si el tanque de propano líquido está vacío.</p> <p>A. Si está vacío, reemplácelo.</p> <p>B. Si el tanque de propano líquido no está vacío, consulte la sección "Caída repentina del flujo de gas o tamaño de llama insuficiente" de esta página.</p> |
| | El tanque de gas propano está bajo o vacío. | Reemplace el tanque de gas propano. |
| | Fuga de gas propano. | <ol style="list-style-type: none"> Desconecte el tanque de propano de acuerdo con las instrucciones "Desconectar el tanque de gas propano líquido" y guárdelo en un lugar apropiado. Espere 5 minutos para dejar que la zona quede despejada de gas. Conecte el tanque de gas propano líquido siguiendo las instrucciones descritas en la sección "Conectar el tanque de gas propano líquido". Siga las instrucciones "Detección de fugas" del manual del usuario. |
| | La tuerca de acoplamiento no está conectada por completo. | Gire la tuerca de acoplamiento entre media vuelta y tres cuartos de vuelta hasta que haga tope con firmeza. Apriete únicamente a mano, sin utilizar ninguna herramienta. |
| | Obstrucción del flujo de gas. | Limpie los tubos del quemador. Verifique que la manguera no esté torcida o doblada. |
| | Telarañas o nidos de insectos en el venturi. | Limpie el tubo de venturi. |
| | Bocas del quemador atascadas u obstruidas. | Limpie las bocas del quemador. |
| Caída repentina del flujo de gas o altura de la llama insuficiente. | Sin gas. | Reemplace el tanque de gas propano. |
| Falta de uniformidad en la llama, la llama no cubre toda la longitud del quemador. | Las bocas del quemador están atascadas u obstruidas. | Limpie las bocas del quemador. |
| La llama es de color amarillo o naranja. | Puede que el nuevo quemador tenga aceites residuales del proceso de fabricación. | Haga funcionar la parrilla con plancha durante 15 minutos con la perilla en la posición 🔥 (alto). |
| | Telarañas o nidos de insectos en el venturi. | Limpie el venturi. |
| | Restos de alimentos, grasa o sal para condimentar en el quemador. | Limpie el quemador. |
| | Alineación incorrecta entre la válvula y el quemador de venturi. | Asegúrese de que el venturi del quemador está conectado adecuadamente a la válvula. |
| La llama se apaga. | Vientos fuertes o racheados. | No use la parrilla con plancha cuando hay vientos fuertes. |
| | Nivel de gas del tanque de propano bajo. | Reemplace el tanque de gas propano. |
| | Válvula de exceso de flujo activada: puede que se haya activado el dispositivo de seguridad de exceso de flujo. | Consulte la sección de esta página "Caída repentina del flujo de gas o tamaño de llama insuficiente" de esta página. |
| Fogonazo. | Formaciones de grasa. | Quite y limpie las piezas de la parrilla con plancha siguiendo las instrucciones "Limpieza y cuidado" del manual del usuario. |
| | Carne con exceso de grasa. | Retire la grasa de la carne antes de ponerla en la parrilla con plancha. |
| | Si está utilizando una temperatura excesiva para cocinar. | Ajuste (baje) la temperatura según corresponda. |
| La grasa provoca un fuego persistente | Grasa atascada por la acumulación de comida alrededor del sistema de quemadores. | <ol style="list-style-type: none"> Gire la perilla de control a la posición 🔴 APAGADO. Una vez enfriado la parrilla con plancha, quite y limpie las piezas de la parrilla con plancha siguiendo las instrucciones "Limpieza y cuidado" del manual del usuario. |
| Centelleos (hay fuego en el(los) tubo(s) del quemador). | El quemador y/o juegos de quemadores están bloqueados. | Limpie el quemador y/o los tubos del quemador. |

Para ayuda más detallada, sírvase llamarnos al 1.800.694.0013 para ayudarlo inmediatamente.