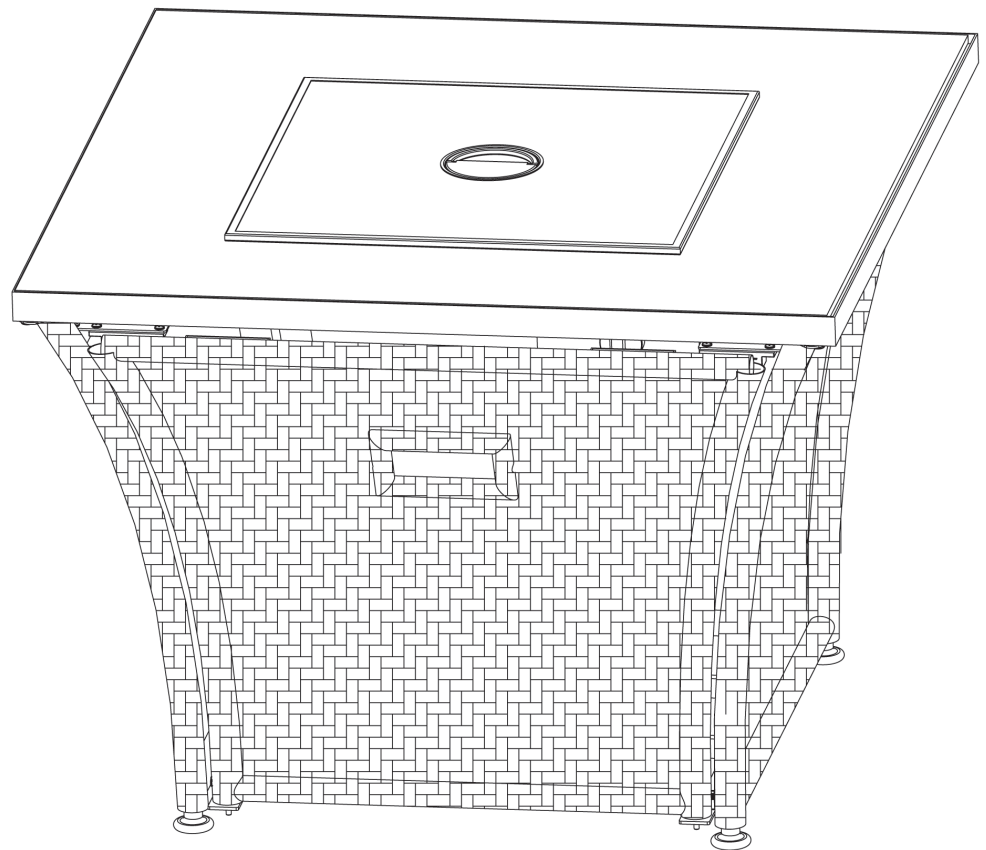




OWNER'S MANUAL

LP Gas Outdoor Fire Table

Model No. GAD15253B



Need Propane?

Available at:



WARNING

FOR YOUR SAFETY:

For Outdoor Use Only (outside any enclosure)
Do NOT Use For Cooking.



WARNING

FOR YOUR SAFETY:

- ▲ If the information in this manual is not followed exactly, a fire or explosion may result causing property damage, personal injury or loss of life.
- ▲ WHAT TO DO IF YOU SMELL GAS:
 - Do NOT try lighting any appliance.
 - Do NOT touch any electrical switch; do NOT use any phone in your building.
 - Immediately call your gas supplier from a neighbor's phone.
 - Follow the gas supplier's instructions.
 - If you cannot reach your gas supplier, call the fire department.
- ▲ Installation and service must be performed by a qualified installer, service agency or gas supplier.
- ▲ Save these instructions for future reference.
- ▲ If you are assembling this unit for someone else, give this manual to them to read and save for future reference.



WARNING

FOR YOUR SAFETY:

- ▲ Improper installation, adjustment, alteration, service or maintenance can cause injury or property damage.
- ▲ Read the installation, operation and maintenance instructions thoroughly before installing or servicing this equipment.



DANGER

If you smell gas:

1. Shut off gas to appliance.
2. Extinguish any open flame.
3. If odor continues, keep away from the appliance and immediately call your gas supplier or your fire department.



WARNING

FOR YOUR SAFETY:

1. Do NOT store or use gasoline or other flammable vapors or liquids in the vicinity of this or any other appliance.
2. An LP-cylinder not connected for use shall not be stored in the vicinity of this or any other appliance.



DANGER

Do NOT leave this appliance unattended while it is in operation.

DANGER



CARBON MONOXIDE HAZARD

- This appliance can produce carbon monoxide which has no odor.
- Using it in an enclosed space can kill you.
- Never use this appliance in an enclosed space such as a camper, tent, car or home.

Table of Contents

| | |
|--------------------------------------|--------|
| Important Safeguards | Page 2 |
| Expanded View and Hardware | 4 |
| Assembly Instructions | 5 |
| Installing LP Gas Tank | 8 |
| Operating Instructions | 9 |
| Cleaning and Care | 9 |
| Product Registration | 10 |
| Replacement Parts | 10 |
| Limited Warranty | 10 |
| Troubleshooting | 11 |

The use and installation of this product must conform to local codes. In absence of local codes, use the latest edition of the *National Fuel Gas Code, ANSI Z223.1/NFPA 54*, or *International Fuel Gas Code*. This appliance, when installed, must be electrically grounded in accordance with local codes, or in the absence of local codes with the *National Electrical Code, ANSI/NFPA 70*, if applicable.

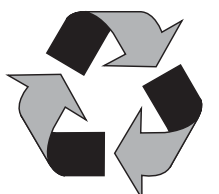
THIS INSTRUCTION BOOKLET CONTAINS IMPORTANT SAFETY INFORMATION. PLEASE READ AND KEEP FOR FUTURE REFERENCE.

If you are assembling this unit for someone else, give this manual to them to read and save for future reference.

California Proposition 65: Combustion by-products produced when using this product contain chemicals known to the State of California to cause cancer, birth defects, and other reproductive harm.

California Proposition 65: Wash your hands after handling this product.

California Proposition 65: Handling the brass material on this product exposes you to lead, a chemical known to the State of California to cause cancer, birth defects, or other reproductive harm.



Made from 75% Bagasse
(environmentally friendly sugar
cane pulp by-product)



Important Safeguards

- ▲ **DANGER:** Failure to follow the dangers, warnings and cautions in this manual may result in serious bodily injury or death, or in a fire or an explosion causing damage to property.
-
- ▲ **WARNINGS:**
 - ▲ Do NOT use this outdoor fireplace without reading the entire owner's manual.
 - ▲ This appliance is for outdoor use only, and should NOT be used in a building, garage or any other enclosed area.
 - ▲ Do NOT operate, light or use this appliance within ten feet (3.05 m) of walls, structures or buildings.
 - ▲ For residential use only. This outdoor fireplace is NOT for commercial use.
 - ▲ Do NOT use this outdoor fireplace for indoor heating. TOXIC carbon monoxide fumes can accumulate and cause asphyxiation.
 - ▲ This outdoor fireplace is safety certified for use in the United States and/or Canada only. Do NOT modify for use in any other location. Modification will result in a safety hazard and will void your warranty.
 - ▲ Apartment dwellers: Check with management to learn the requirements and fire codes for using a liquid propane (LP) gas outdoor fireplace in your apartment complex. If allowed, use outside on the ground floor with a ten foot (3.05 m) clearance from any structure. Do NOT use on or under balconies.
 - ▲ This outdoor fireplace, from the factory, is for use with LP gas only. The conversion to or attempted use of natural gas in this outdoor fireplace is dangerous, may cause bodily harm and will void your warranty.
 - ▲ LP gas characteristics:
 - a. LP gas is flammable and hazardous if handled improperly. Become aware of the characteristics before using any LP gas product.
 - b. LP gas is explosive under pressure, heavier than air, and settles/pools in low areas.
 - c. LP gas in its natural state has no odor. For your safety, an odorant is added that smells like rotten cabbage.
 - d. Contact with LP gas can cause freeze burns to skin.
 - ▲ LP gas tank needed to operate. Only tanks marked "propane" may be used.
 - a. The LP gas cylinder must be constructed and marked in accordance with the *U.S. Department of Transportation (D.O.T.) Specifications for LP-Gas Cylinders*, or the *Standard for Cylinders, Spheres and Tubes for the Transportation of Dangerous Goods and Commission, CAN/CSA-B339* as applicable.
 - b. LP gas tank must be arranged for vapor withdrawal.
 - c. The LP gas tank must have a listed overfilling prevention device (OPD) and a QCCI or Type I (CGA810) LP gas tank connection.
 - d. The LP gas tank must have a tank collar to protect the tank valve.
 - e. Never use an LP gas tank with a damaged body, valve, collar or footing.
 - f. Dented or rusted LP gas tanks may be hazardous and should be checked by your LP gas supplier prior to use.
 - g. The LP gas tank should not be dropped or handled roughly.
 - h. Tanks must be stored outdoors, out of the reach of children and must not be stored in a building, garage or any other enclosed area. Your LP gas tank must never be stored where temperatures can reach over 125°F.
 - i. Do NOT insert any tool or foreign object into the valve outlet or safety relief valve. You may damage the valve and cause a leak. Leaking propane may result in explosion, fire, severe personal injury or death.
 - j. Never keep an LP gas tank in a hot car or trunk. Heat will cause the gas pressure to increase, which may open the relief valve and allow gas to escape.
 - k. Place dust cap on cylinder valve outlet whenever the cylinder is not in use. Only install the type of dust cap on the cylinder valve outlet that is provided with the cylinder valve. Other types of caps or plugs may result in leakage of propane.
 - l. Do NOT store a spare LP gas tank under or near this appliance.
 - m. Never fill the cylinder beyond 80 percent full.
 - n. A fire causing serious injury or damage to property may occur if the above is not followed exactly.
 - ▲ Your outdoor fireplace has been checked at all factory connections for leaks. Recheck all connections as described in the "Operating Instructions" section, as shipping can loosen connections.
 - ▲ Check for leaks even if your unit was assembled for you by someone else.
 - ▲ Do NOT operate if a gas leak is present. Gas leaks may cause a fire or explosion.
 - ▲ You must follow all instructions in the "Checking for Leaks" section before operating. To prevent a fire or explosion when testing for a leak:
 - a. Always perform a leak test before lighting this outdoor fireplace and each time the tank is connected for use.
 - b. No smoking. Do NOT use or permit sources of ignition in the area while conducting a leak test.
 - c. Conduct the leak test outdoors in a well-ventilated area.
 - d. Do NOT use matches, lighters or a flame to check for leaks.
 - e. The use of alcohol, prescription or non-prescription drugs may impair the consumer's ability to properly assemble or safely operate the appliance.
 - f. Strong odors, colds, sinus congestion, etc. may prevent the detection of propane. Use caution and common sense when testing for leaks.
 - g. Do NOT use this outdoor fireplace until any and all leaks are corrected.
If you are unable to stop a leak, disconnect the LP gas supply. Call a gas appliance serviceman or your local LP gas supplier.
 - ▲ Do NOT store or use gasoline or other flammable liquids or vapors within 25 feet (7.62 m) of this appliance.
 - ▲ Do NOT use in an explosive atmosphere. Keep outdoor fireplace area clear and free from combustible materials, gasoline and other flammable vapors and liquids.
 - ▲ This outdoor fireplace is NOT to be operated by children.
 - ▲ This outdoor fireplace is NOT to be used in or on boats or recreational vehicles.
 - ▲ Do NOT connect to a remote gas supply.
 - ▲ Never attempt to attach this outdoor fireplace to the self-contained LP gas system of a camper trailer, motor home or house.
 - ▲ Always use in accordance with all applicable local, state and national codes. Contact your local fire department for details on outdoor burning.
 - ▲ When using this outdoor fireplace, exercise the same precautions you would with any open fire.
 - ▲ Do NOT burn solid fuels such as: wood, charcoal briquettes, lump charcoal, manufactured logs, driftwood, trash, leaves, paper, cardboard, plywood, painted/stained/pressure treated wood in this outdoor fireplace.
 - ▲ It is essential to keep the outdoor fireplace's valve compartment, burners, and circulating air passages clean. Inspect outdoor fireplace before each use.
 - ▲ Do NOT use this outdoor fireplace until it is COMPLETELY assembled and all parts are securely fastened and tightened.
 - ▲ Do NOT use this outdoor fireplace near automobiles, trucks, vans or recreational vehicles.
 - ▲ Do NOT use this outdoor fireplace under any overhang or near any unprotected combustible constructions. Avoid using near or under overhanging trees and shrubs.
 - ▲ Always use this outdoor fireplace on a hard, level, non-combustible surface such as concrete, rock or stone. An asphalt or blacktop surface may not be acceptable for this purpose.
 - ▲ Do NOT use this outdoor fireplace for cooking.

- ▲ Do NOT use this appliance if any part has been under water. Immediately call a qualified service technician to inspect the appliance and to replace any part or control system and any gas control which has been under water.
- ▲ Do NOT wear flammable or loose clothing when operating this outdoor fireplace.
- ▲ Do NOT use in windy conditions.
- ▲ Never lean over this outdoor fireplace when lighting or when in use.
- ▲ Do NOT use this outdoor fireplace unless burner is securely in place.
- ▲ Keep all electrical cords away from this outdoor fireplace during use.
- ▲ Certain areas of this outdoor fireplace when in use will become too hot to touch. To avoid burns, do NOT touch hot surfaces until the unit has completely cooled (about 45 minutes), unless you are wearing protective gear (such as insulated pot holders or heat-resistant gloves/mittens).
- ▲ Do NOT leave a lit outdoor fireplace unattended, especially around children and pets.
- ▲ Children and adults should be alerted to the hazards of high surface temperatures and should stay away to avoid burns or clothing ignition.
- ▲ Young children should be carefully supervised when they are in the area of the appliance.
- ▲ Do NOT hang or place clothing or other flammable material on or near this appliance.
- ▲ Any guard or other protective device removed for servicing the appliance must be replaced prior to operating the appliance.
- ▲ If applicable, protective cover must be removed when burner is in operation.
- ▲ If applicable, table insert must be removed before lighting the burner and during operation.
- ▲ Do NOT attempt to move outdoor fireplace when in use. Allow the outdoor fireplace to cool before moving or storing.
- ▲ This outdoor fireplace should be thoroughly cleaned and inspected on a regular basis. Clean and inspect the hose before each use of the appliance. If there is evidence of abrasion, wear, cuts, or leaks, the hose must be replaced prior to the appliance being operated.
- ▲ This outdoor fireplace should be inspected at least annually by a qualified service person. Depending on amount of use, more frequent cleaning may be required. Do NOT operate until all parts have been repaired or replaced.
- ▲ Use only the regulator and hose assembly provided. Use only the replacement regulator and hose assembly specified by Blue Rhino Global Sourcing, Inc.
- ▲ Use only Blue Rhino Global Sourcing, Inc. factory-authorized parts. The use of any part that is not factory-authorized can be dangerous and will void your warranty.
- ▲ Use only Blue Rhino Global Sourcing, Inc. factory-authorized glass rock/lava rock. The use of any glass rock/lava rock that is not factory-authorized can be dangerous and will void your warranty.
- ▲ Do NOT operate this appliance without reading “Operating Instructions” in this manual.
- ▲ Storage of this outdoor fireplace indoors is permissible only if the tank is disconnected, removed from the outdoor fireplace and properly stored outdoors.
- ▲ Do NOT attempt to disconnect the gas regulator from the tank or any gas fitting while the outdoor fireplace is in use.
- ▲ If the outdoor fireplace is not in use, the gas must be turned off at the supply tank.
- ▲ The pressure regulator is set for 11 inches of water column.
- ▲ The maximum inlet gas pressure for this outdoor fireplace is 11 inches of water column.
- ▲ Before pressure testing, close LP gas tank valve and disconnect gas regulator. The gas supply piping system must test at pressures equal to or less than ½ psi (3.5 kPa).
- ▲ Do NOT sit or stand on the mantle or any part of this appliance.
- ▲ Do NOT throw anything onto the fire when the unit is in operation.
- ▲ Fire glass and lava rock are very hot. Keep children or pets at a safe distance from this appliance.
- ▲ The opening of the tank collar should face toward the door side for easy access.
- ▲ Do NOT store any combustible materials in the base enclosure.
- ▲ Use protective gloves when assembling this product.
- ▲ Do NOT force parts together as this can result in personal injury or damage to the product.
- ▲ The mantel is made of glass and fragile, so handle with care.
- ▲ Do NOT slide heavy and/or sharp objects across the mantel as it will scratch.
- ▲ When heated, the lava rocks may pop.
- ▲ All components on this outdoor fireplace can become hot.
- ▲ Death, serious injury or damage to property may occur if the above is not followed exactly.



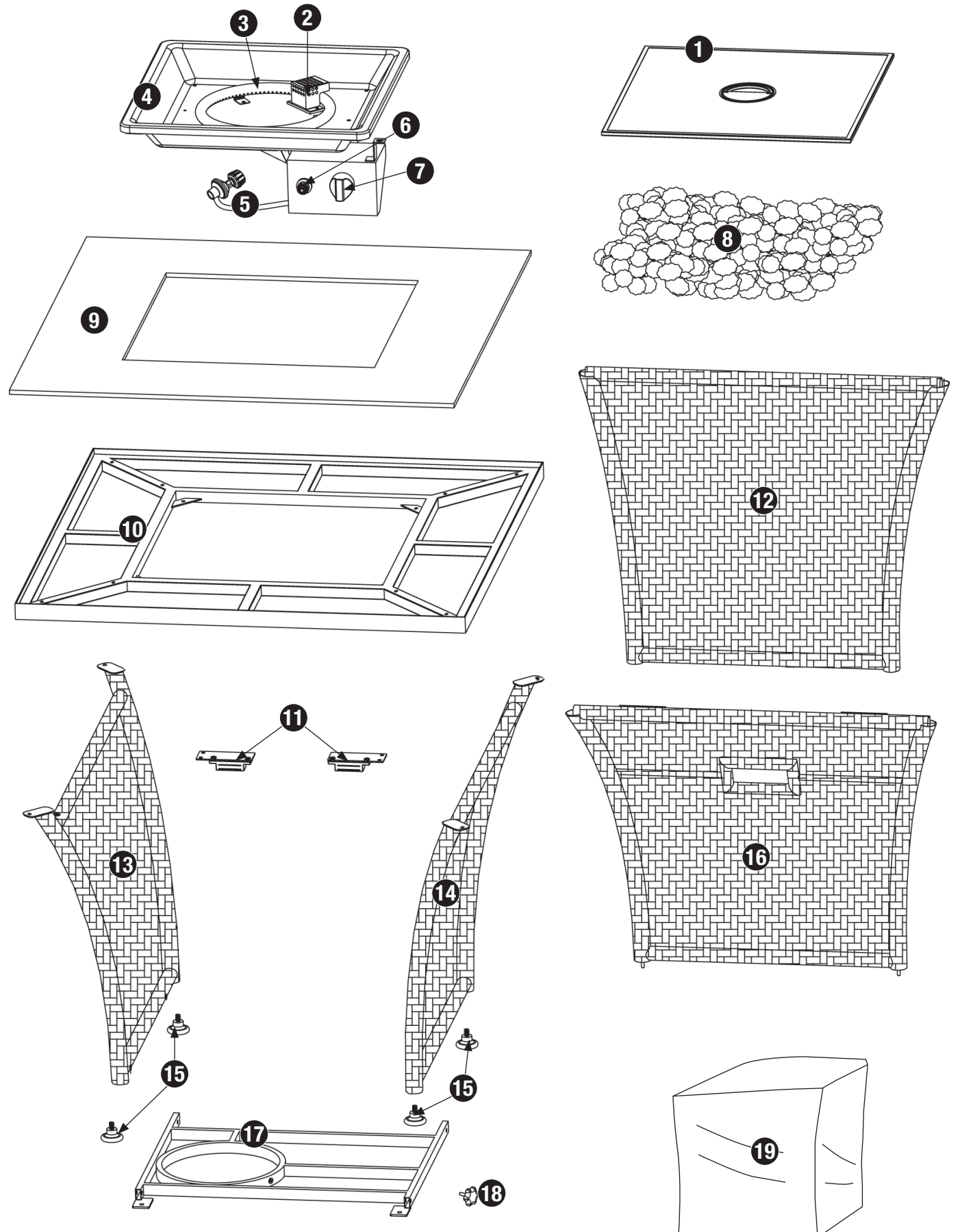
Parts List

| | | |
|----|---|-----------|
| 1 | Table Insert | 58-23-817 |
| 2 | Igniter cover* | 58-23-896 |
| 3 | Burner* | 58-23-251 |
| 4 | Bowl Assembly* | 58-23-895 |
| 5 | Regulator/Hose Assembly | 58-23-922 |
| 6 | Battery Cover* | 58-23-897 |
| 7 | Control Knob* | 58-23-139 |
| 8 | Lava Rock** | 55-05-833 |
| 9 | Mantel | 58-23-818 |
| 10 | Mantel Frame | 58-23-819 |
| 11 | Magnet (2)* | 58-23-820 |
| 12 | Rear Panel | 58-23-821 |
| 13 | Left Side Panel | 58-23-822 |
| 14 | Right Side Panel | 58-23-823 |
| 15 | Foot (4)* | 58-23-147 |
| 16 | Door | 58-23-824 |
| 17 | LP Gas Tank Support | 58-23-825 |
| 18 | LP Gas Tank Bolt | 58-23-149 |
| 19 | Cover | 58-23-826 |
| 20 | Glass Rock (not required and sold separately)** | |

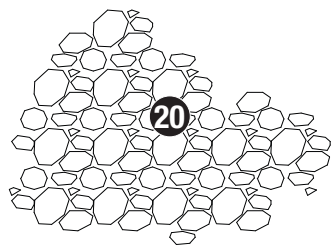
* Pre-assembled

⚠ **CAUTION: Use only Blue Rhino Global Sourcing, Inc. factory-authorized glass rock/lava rock. The use of any glass rock/lava rock that is not factory-authorized can be dangerous and will void your warranty.

Expanded View



Sold Separately



Hardware

| | | | |
|---|------------|--|-------|
| A | Screw | M6x12 Black Nickel Plated, Phillips Head | 8 pcs |
| B | Screw | M6x25 Black Nickel Plated, Phillips Head | 4 pcs |
| C | Screw | M6x50 Black Nickel Plated, Phillips Head | 4 pcs |
| D | AA Battery | 1.5 V AA Battery | 1 pc |

Tools Required for Assembly (Included)

| | |
|--------------|------|
| Allen Wrench | 1 pc |
|--------------|------|

Assembly Instructions

1

DO NOT RETURN TO PLACE OF PURCHASE.

For assistance, call 1.800.762.1142 toll-free. Please have your owner's manual and model number available for reference.

Note: The model number is printed on a label which can be found on the inside door, back or side of the base assembly.

Assembly Tips:

1. Select an area where you will assemble this product. To protect components, choose a smooth surface that's free of cracks or openings.
2. Spread out all parts.
3. Tighten all hardware connections by hand first. Then, before completing each step, go back and fully tighten all hardware. Be careful not to over-tighten. That could damage surfaces or strip threads.
4. For best results, complete each step in the order presented.

To complete assembly you will need:

- (1) Leak detection solution (instructions on how to make the solution are included in the "Operating Instructions" section of this manual).
- (1) Precision-filled LP gas grill tank with Acme Type 1 external threaded valve connection (standard grill size) (not included).

Typical assembly is approximately one hour.

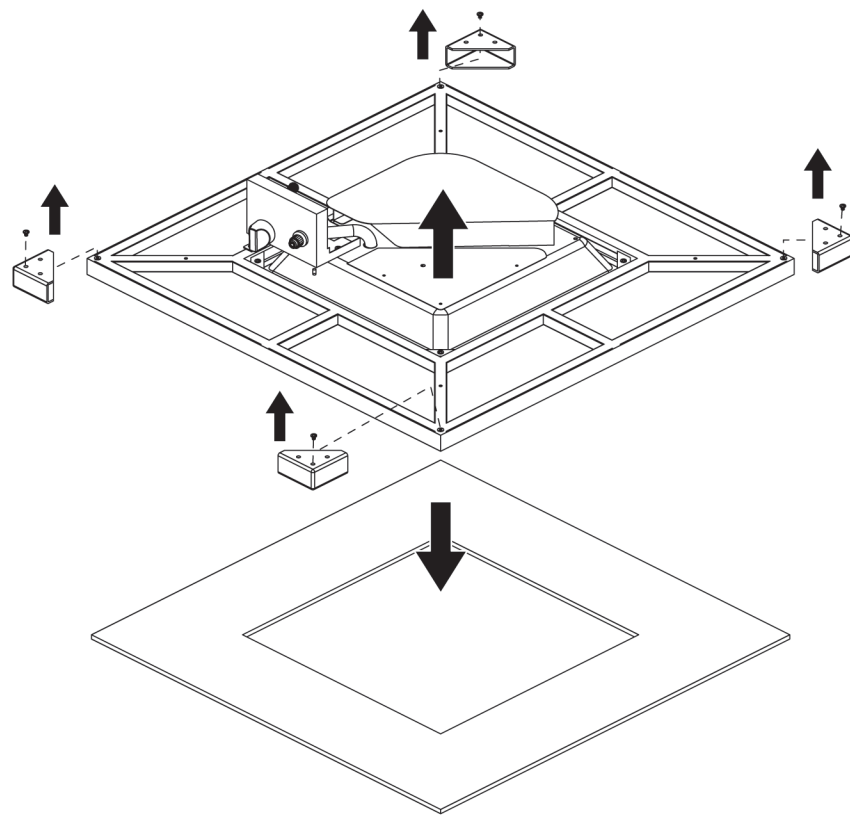
▲ CAUTION: Two (2) people will be required for assembly.

2

Remove Mantel and Mantel Frame Packaging

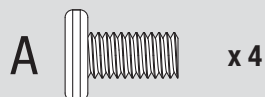
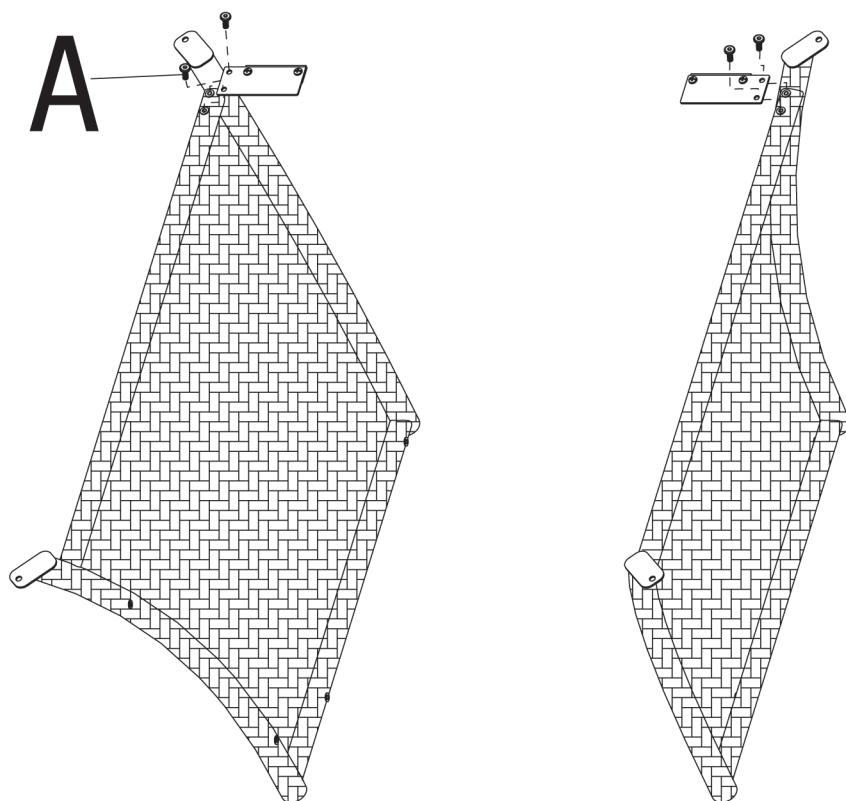
▲ CAUTION:

1. Two (2) people are required for this step.
2. To prevent scratching, place parts on a protective surface like a sheet or towel.



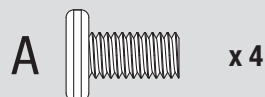
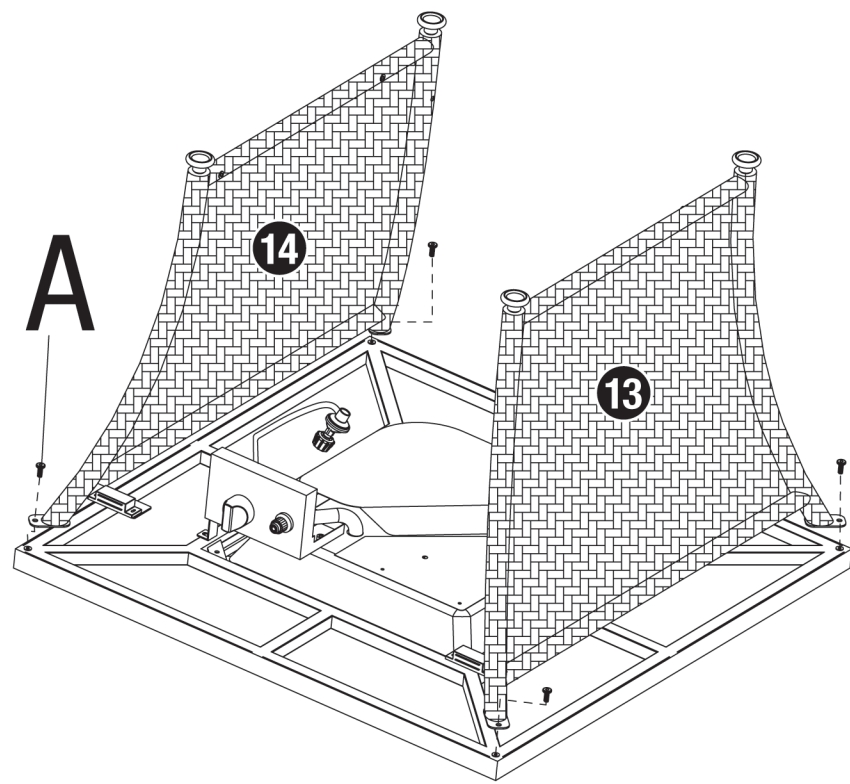
3

Attach Magnets



4

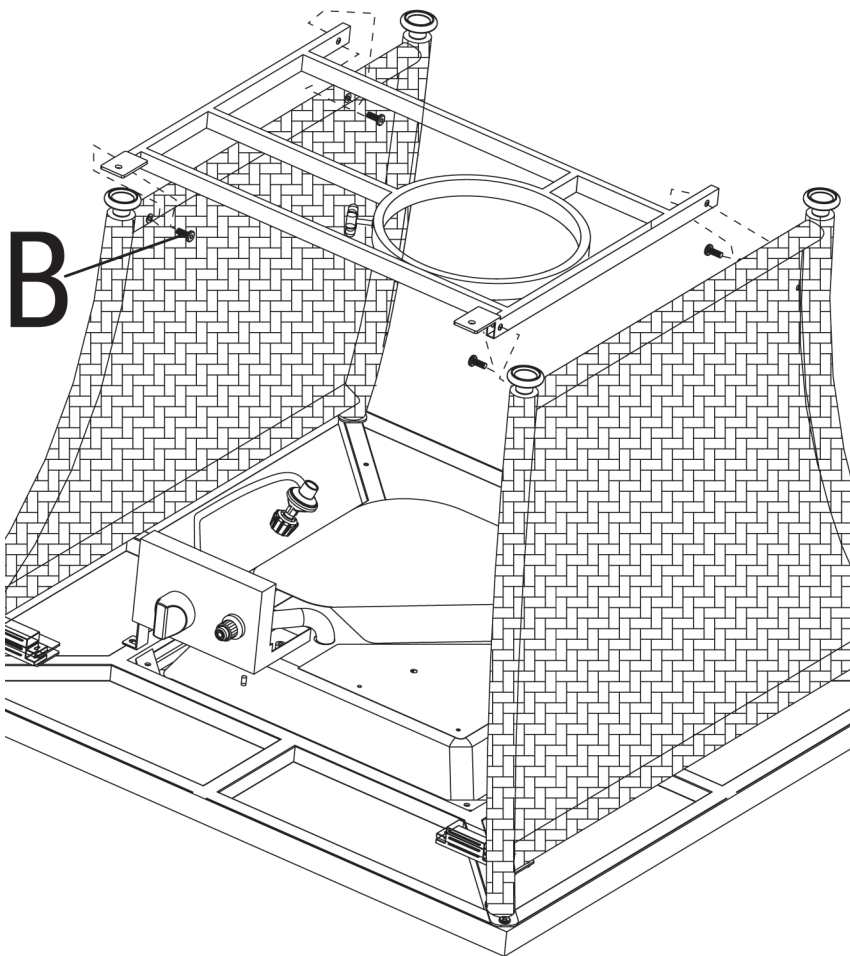
Attach Side Panels

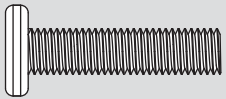


Assembly Instructions (continued)

5

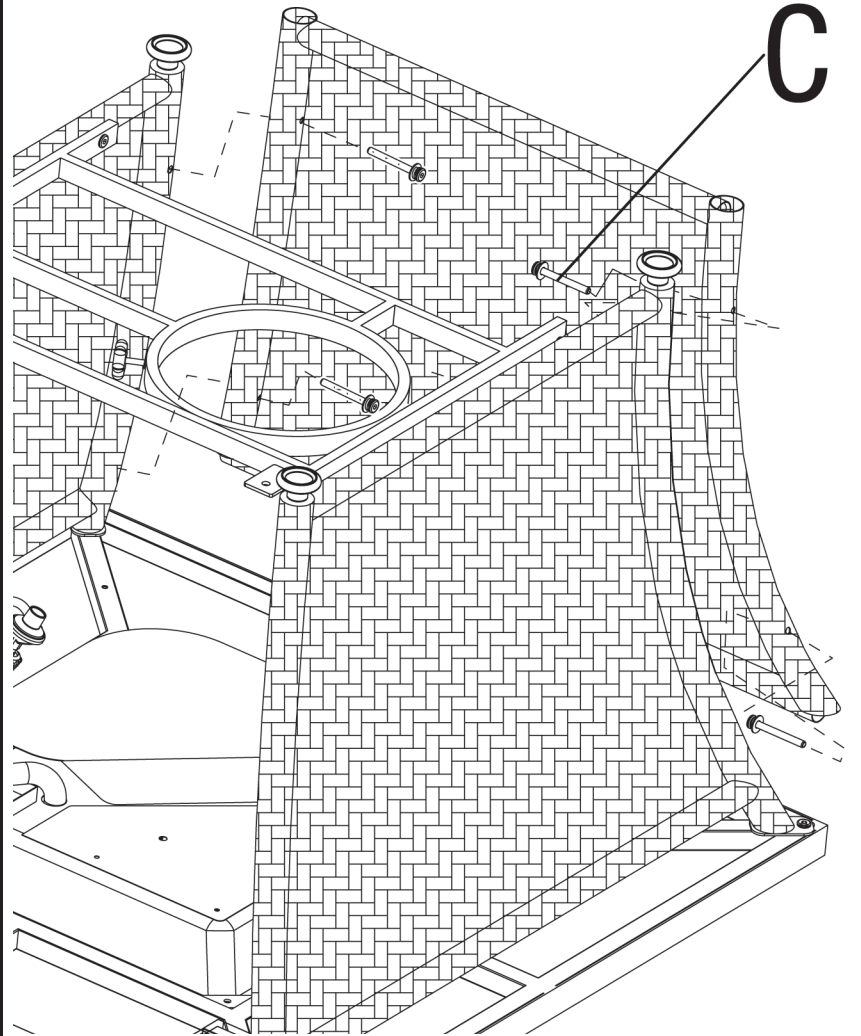
Attach LP Gas Tank Support

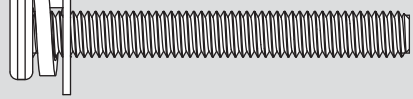


B  x 4

6

Attach Rear Panel

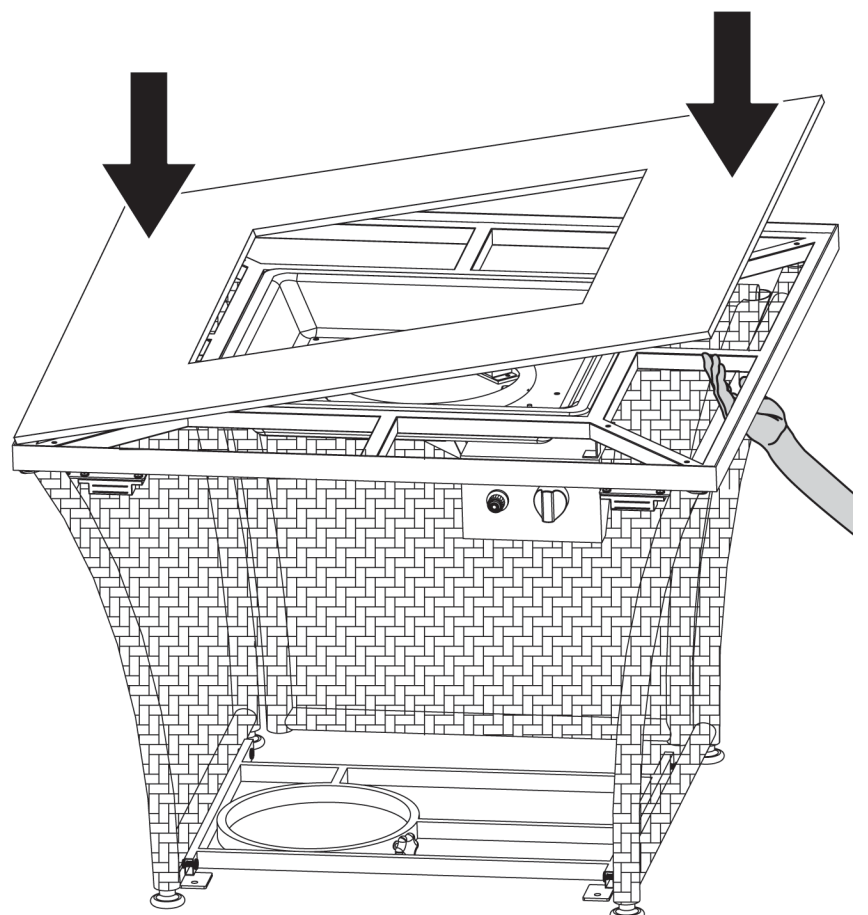
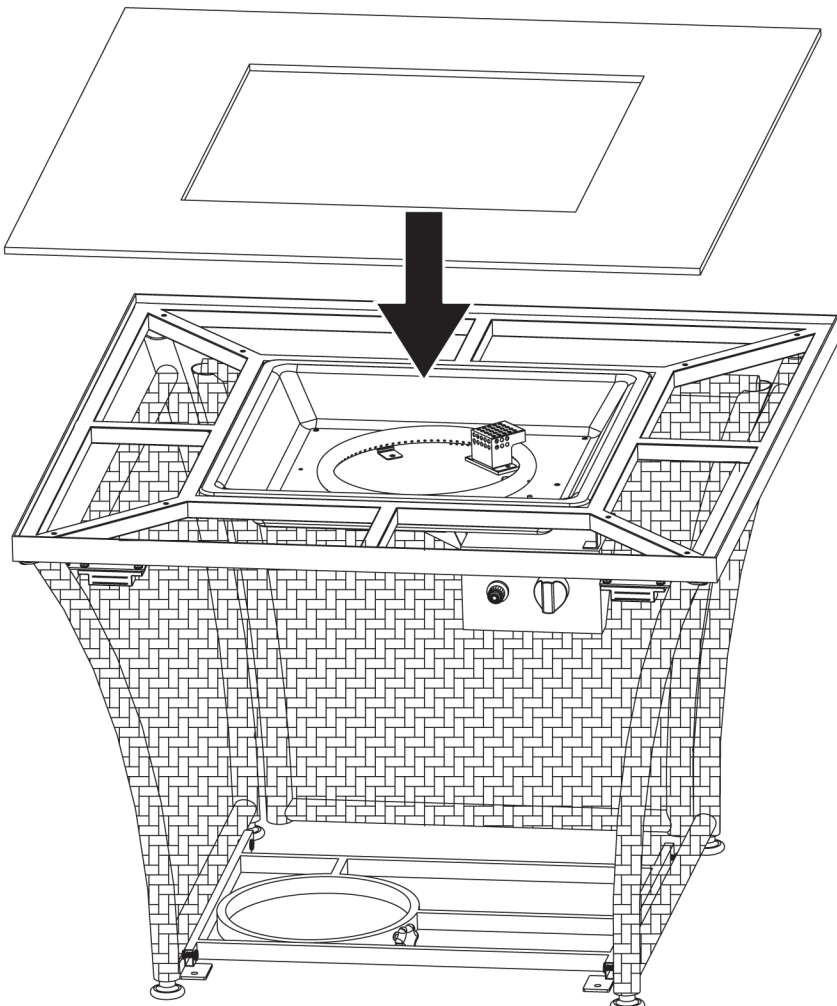


C  x 4

7

Place Mantel

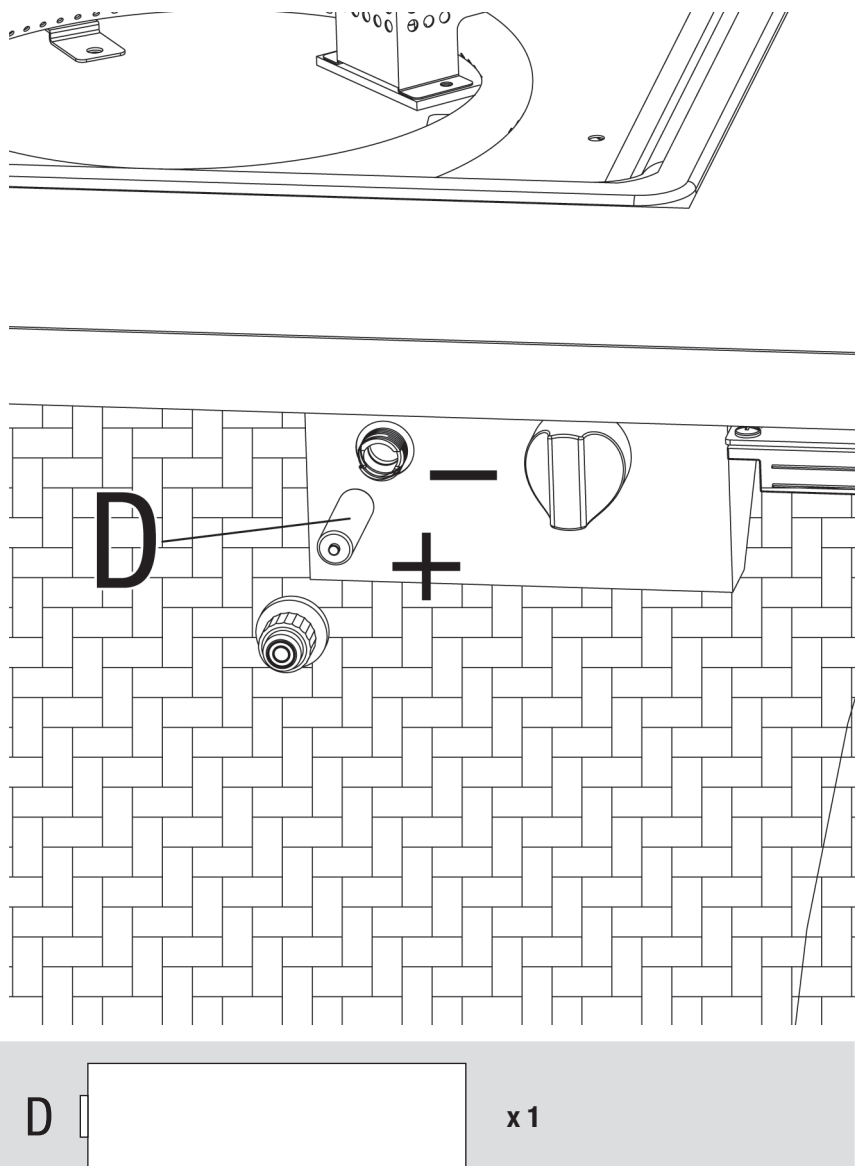
- ▲ CAUTION: Two (2) people are required for this step.
- ▲ CAUTION: Place mantel on one side of the mantel frame first. Do NOT drop mantel onto the frame; lower gently by supporting it from beneath.
- ▲ CAUTION: DO NOT drop mantel on mantel frame. Lower mantel by supporting mantel from under the mantel frame.



8

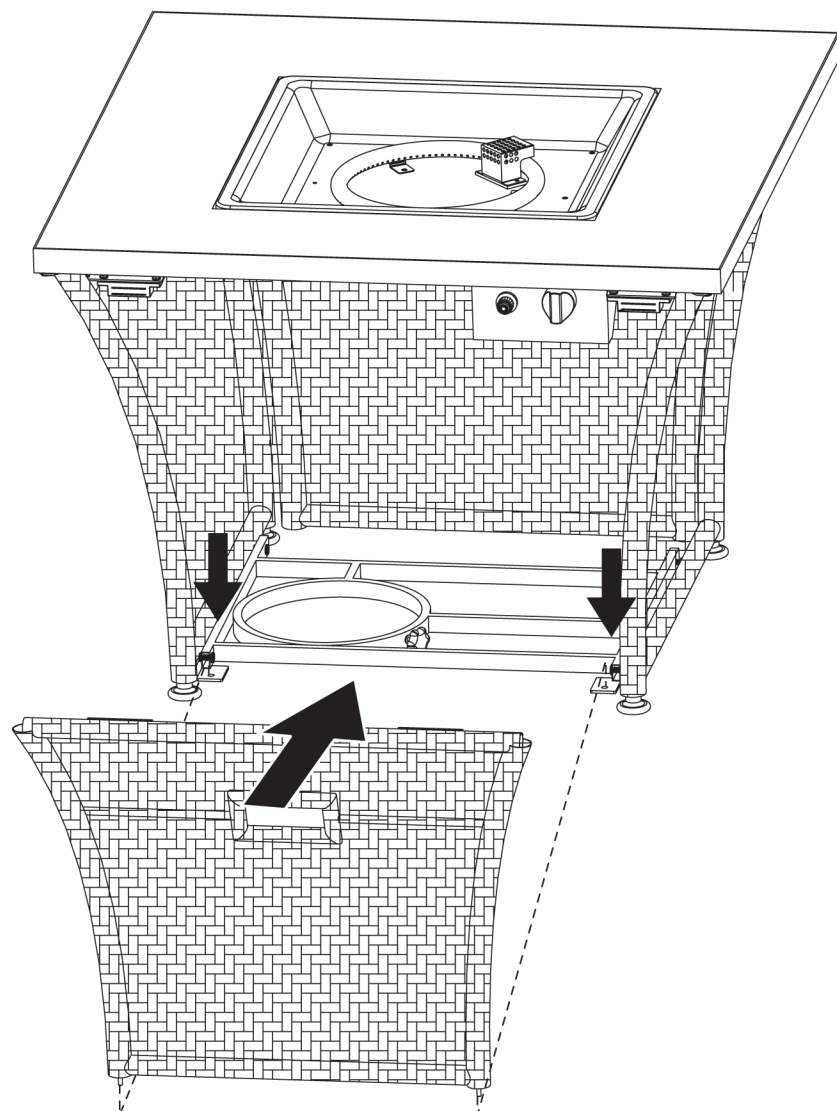
Insert Battery

Note: Remove plastic wrapper before installing battery.



9

Place Door

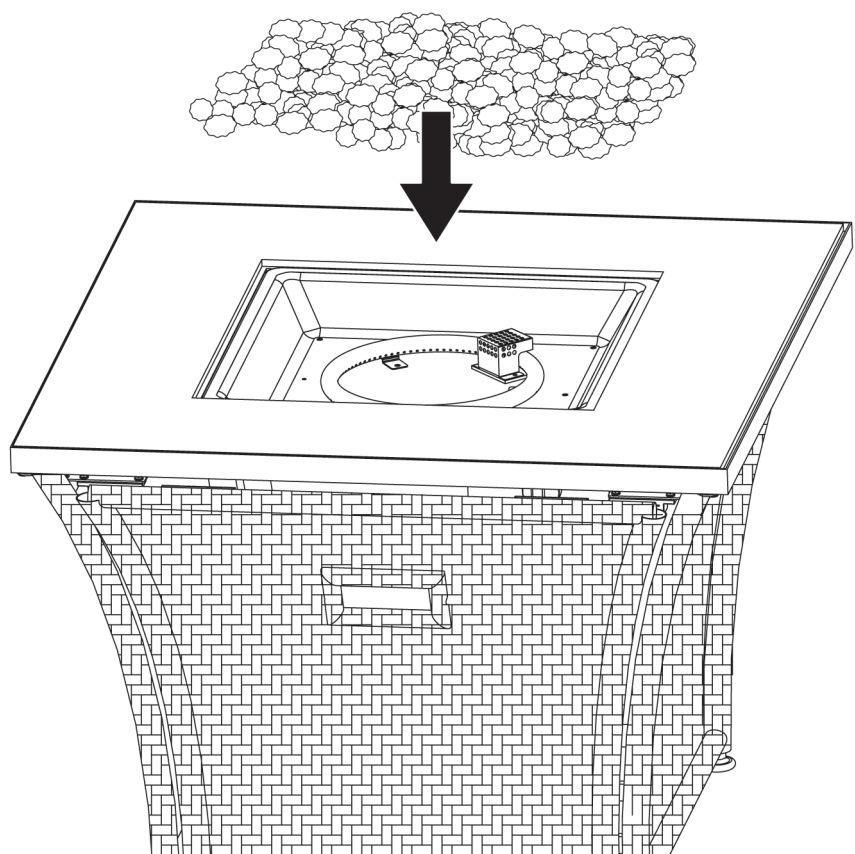


10

Place Lava Rocks

- ▲ CAUTION: Do NOT dump lava rocks out of package. Carefully place lava rocks by hand so dust does not clog burner.
- ▲ CAUTION: Use only Blue Rhino Global Sourcing, Inc. factory-authorized lava rock. The use of any lava rock that is not factory-authorized can be dangerous and will void your warranty.
- ▲ CAUTION: Do NOT cover igniter cover.

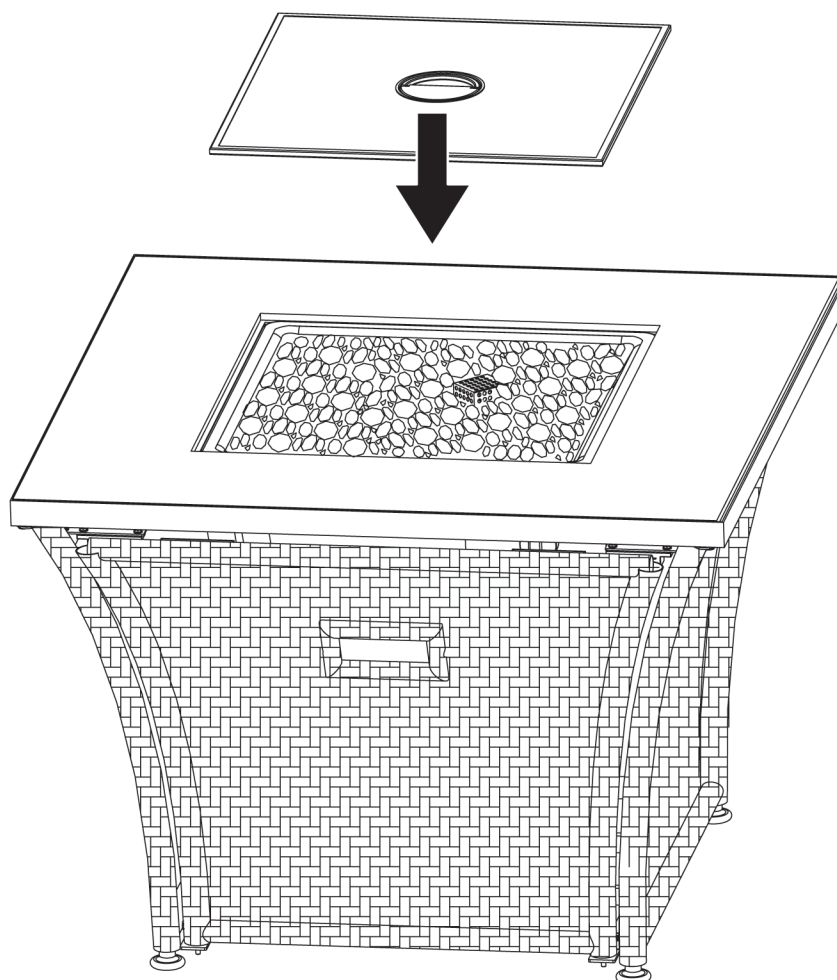
Note: Lava rocks should be 0.8-2.0 in. (2-5 cm) long. Approx. 6.6 lbs. (3 kg) of lava rocks are needed.



11

Place Table Insert

- ▲ WARNING: NEVER light the burner with the table insert on the outdoor fireplace.
- ▲ CAUTION: Wait until the outdoor fireplace is cool before placing the table insert.





Assembly Instructions (continued)

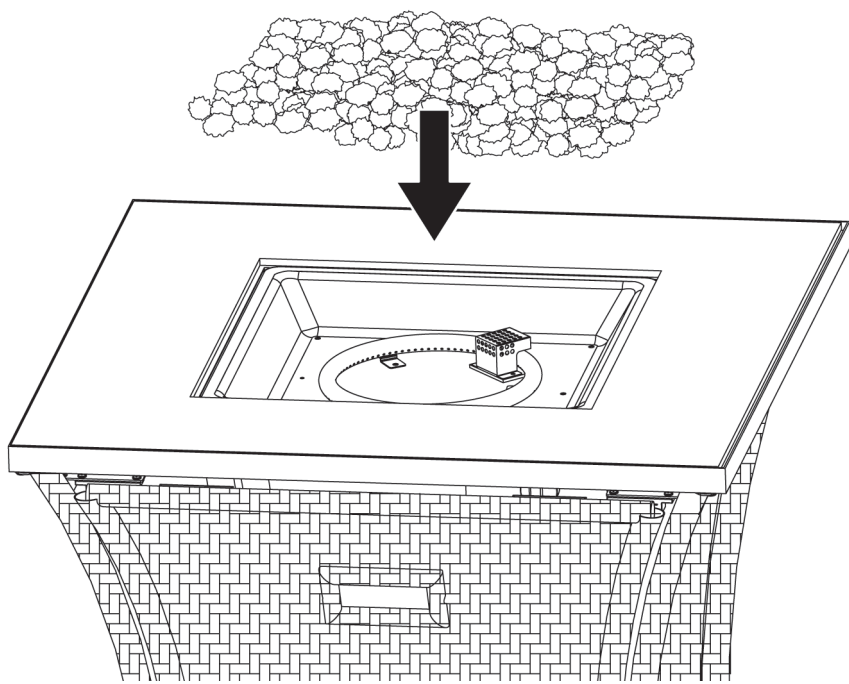
OPTIONAL ITEM SOLD SEPARATELY

12

Place Fire Glass

- ▲ **CAUTION:** When switching from lava rock, remove all lava rock before placing fire glass.
- ▲ **CAUTION:** Do NOT dump fire glass out of package. Carefully place fire glass by hand so dust does not clog burner.
- ▲ **CAUTION:** Use only Blue Rhino Global Sourcing, Inc. factory-authorized fire glass. The use of any fire glass that is not factory-authorized can be dangerous and will void your warranty.
- ▲ **CAUTION:** Do NOT cover igniter cover.

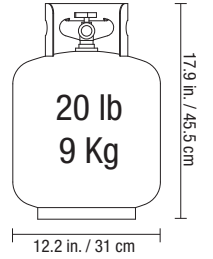
Note: Fire glass should be 0.8-2.0 in (2-5 cm) long. Approx. 13.2 lb (6 kg) of fire glass are needed.



Installing LP Gas Tank

To operate, you will need one precision-filled standard grill LP gas tank with external valve threads.

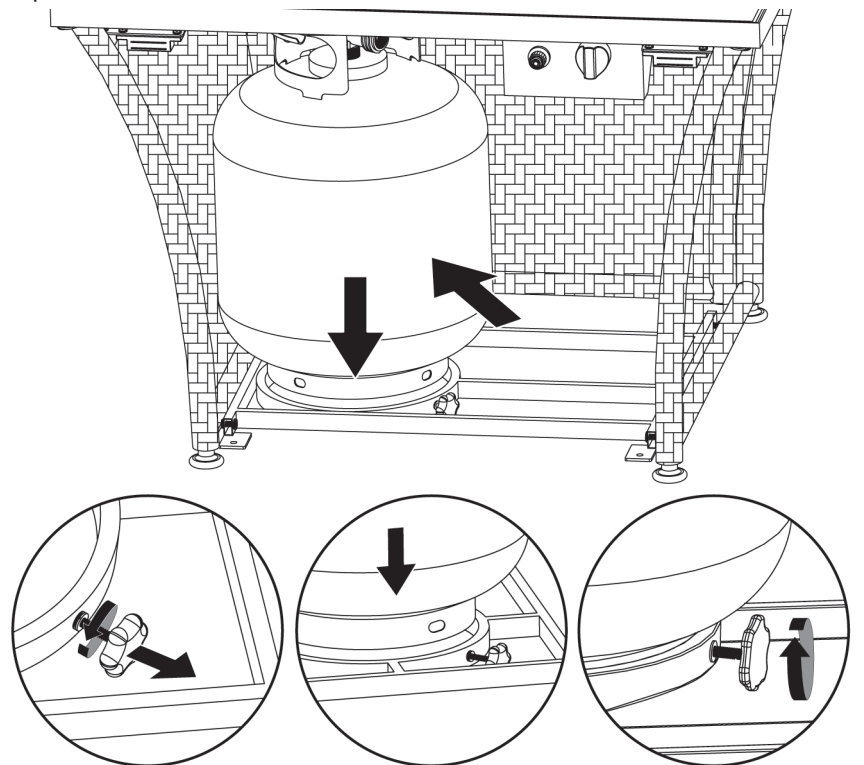
- ▲ **CAUTION:** LP gas tank must be properly disconnected and removed prior to moving this outdoor fireplace.



Inserting LP Gas Tank

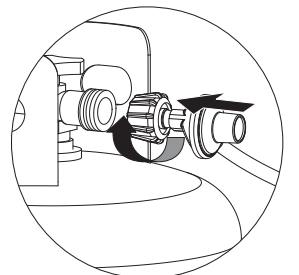
- ▲ **WARNING:** Make sure LP gas tank valve is closed.

1. Remove door.
2. Make sure the control knob is in the "OFF" position (Figure 3).
3. Loosen LP gas tank retainer bolt by turning counter-clockwise.
4. Place precision-filled LP gas tank upright into hole in outdoor fireplace base so the tank valve is facing the gas line connection.
5. Secure tank by turning LP gas tank retainer bolt clockwise until tight.
6. Replace door.



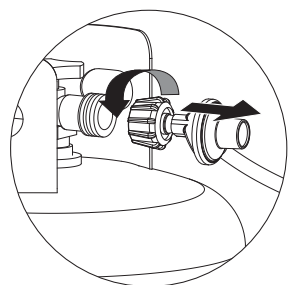
Connecting LP Gas Tank

1. Make sure the control knob is in the "OFF" position (Figure 3).
2. Before connecting, be sure there is no debris caught in the head of the LP gas tank, head of the regulator valve or in the head of the burner or burner ports.
3. Connect regulator/hose assembly to tank by turning knob clockwise until it stops.
4. Perform leak check per "Checking for Leaks" section.



Disconnecting LP Gas Tank

1. Make sure the control knob is in the "OFF" position (Figure 3).
2. Before disconnecting, make sure the LP gas tank valve is "CLOSED."
3. Disconnect regulator/hose assembly from LP gas tank by turning knob counterclockwise until it is loose.
- ▲ **CAUTION:** LP gas tank must be properly disconnected and removed prior to moving this grill.
4. Place the protective cap cover on the LP tank and store the tank outdoors in a well ventilated area out of direct sunlight.



Need Propane?

Available at:



Operating Instructions

Checking for Leaks

⚠ WARNING: Before using this outdoor fireplace, make sure you have read, understand and are following all information provided in the “Important Safeguards” section. Failure to follow those instructions can cause death, serious injury or property damage.

Burner Connections

1. Make sure the regulator hose and valve connections are securely fastened to the burner and the tank.
 2. Visually check the connection between the burner/venturi tube and orifice.
 3. Make sure the burner/venturi tube fits over the orifice.
- ⚠ WARNING:** Failure to inspect this connection or follow these instructions could cause a fire or an explosion which can cause death, serious bodily injury or damage to property.
4. Please refer to diagram for proper installation (Figures 1 and 2).
 5. If the burner/venturi tube does not rest flush to the orifice, as shown, please contact 1.800.762.1142 for assistance.

Tank/Gas Line Connection

1. Make 2-3 oz. of leak detection solution by mixing one part liquid dishwashing soap with three parts water.
2. Make sure control knobs are in the “OFF” position (Figure 3).
3. Connect LP gas tank per “Installing LP Gas Tank” section.
4. Turn LP gas tank valve to “OPEN.”
5. Spoon several drops of solution, or use a squirt bottle, at all “X” locations (Figures 1 and 2).
 - a. If any bubbles appear, turn LP gas tank valve to “CLOSED,” reconnect and re-test.
 - b. If you continue to see bubbles after several attempts, turn LP gas tank valve to “CLOSED” and disconnect LP gas tank, per “Disconnecting LP Gas Tank” section. Contact 1.800.762.1142 for assistance.
 - c. If no bubbles appear after one minute, turn LP gas tank valve to “CLOSED,” wipe away solution and proceed.

Lighting

- ⚠ WARNING:** NEVER light the burner with the cover on the outdoor fireplace.
- ⚠ CAUTION:** Keep outdoor gas appliance area clear and free from combustible materials, gasoline and other flammable vapors and liquids.
- ⚠ CAUTION:** Do NOT obstruct the flow of combustion and ventilation air.
- ⚠ CAUTION:** Check and clean burner/venturi tubes for insects and insect nests. A clogged tube can lead to a fire.

1. Make sure all labels, packaging and protective films have been removed from the outdoor fireplace.
2. Check for obstructions of airflow to the burner. Spiders, insects and webs can clog the burner/venturi tube. A clogged burner tube can lead to a fire.
3. Control knob must be in the “OFF” position (Figure 3).
4. Clear small area of lava rocks / fire glass away from the igniter cover (Figure 4).
5. Connect LP gas tank per “Installing LP Gas Tank” section.
6. Turn LP gas tank valve to “OPEN.”
7. Push and turn control knob to 🔥 (HIGH). Continue to hold the control knob in to light.
8. After the fire table lights, continue to hold the control knob in for 20 seconds to heat the thermocouple, a safety device that stops the gas flow when a firepit is not lit. Holding the knob in for 20 seconds warms it up so the gas flow will continue.
9. After 20 seconds, release and turn control knob counterclockwise to adjust flame to desired height.
10. After three attempts, if ignition does not occur, turn the burner control knob to “OFF.”

Figure 1

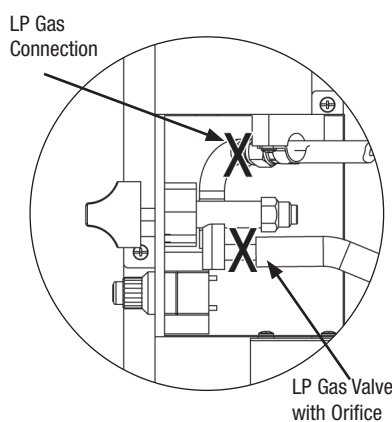


Figure 2

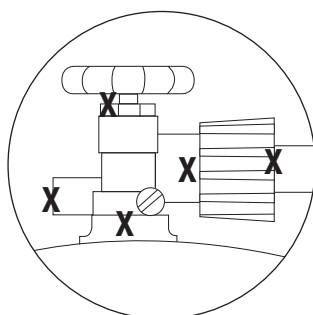


Figure 3

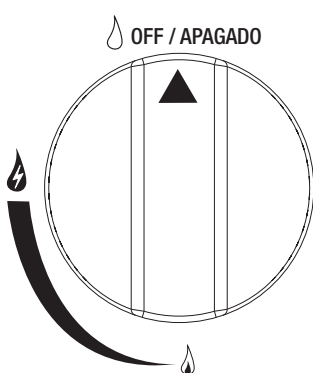


Figure 4

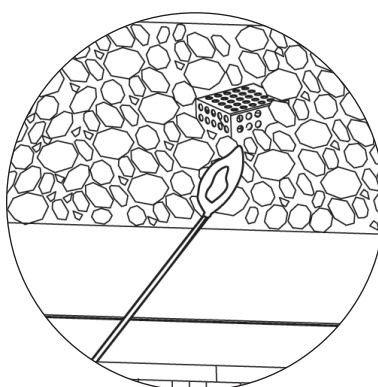
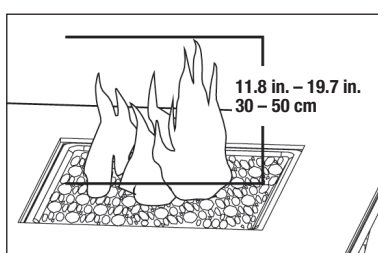


Figure 5



11. Wait 5 minutes, fan with a newspaper or magazine, and repeat lighting procedure.
 12. If igniter does not light burner:
 - a. Wearing heat-resistant gloves, position a lit long match or lit long butane lighter near the pilot housing.
 - b. Push and turn control knob to 🔥 (HIGH).
 - c. Remove match/lighter once burner is lit.
- ⚠ CAUTION:** After lighting - using a fireplace tool and heat-resistant gloves, carefully move the lava rock / glass rock back to their proper position, being careful to avoid the flame.
13. After lighting, observe the burner flame. Make sure all burner ports are lit and flame height matches illustration (Figure 5).
- ⚠ CAUTION:** If ignition does not occur in 5 seconds, turn control knob to “OFF,” wait 5 minutes, fan with a newspaper or magazine, and repeat lighting procedure.

Turning Off

1. Turn LP gas tank valve to “CLOSED.”
2. Turn control knob to the “OFF” position.
Note: A “poof” sound is normal as the last of the LP gas is burned.
3. Disconnect LP gas tank per “Disconnecting LP Gas Tank” section.

Cleaning and Care

- ⚠ CAUTION:**
1. All cleaning and maintenance should be done when outdoor fireplace is cool and with the fuel supply disconnected.
 2. Do NOT clean any outdoor fireplace part in a self-cleaning oven. The extreme heat will damage the finish.
 3. Do NOT enlarge valve orifices or burner ports when cleaning the valves or burners.
 4. All components on this outdoor fireplace can become hot.
 5. Do NOT clean this outdoor fireplace until all components are cool.

Notices

1. This outdoor fireplace should be thoroughly cleaned and inspected on a regular basis.
2. Abrasive cleaners will damage this product.
3. NEVER use oven cleaner to clean any part of this outdoor fireplace.

Before Each Use:

1. Keep the outdoor fireplace area clear and free from any combustible materials, gasoline, and other flammable vapors and liquids.
2. Do NOT obstruct the flow of the combustion of LP gas and the ventilation of air.
3. Keep the ventilation opening(s) of the LP gas tank area free and clear from debris.
4. Visually check the burner flames to make sure your outdoor fireplace is working properly (Figure 5).
5. See below for proper cleaning instructions.
6. Check all gas connections for leaks.
7. Check components for any signs of damage or rust.
8. Check for obstructions of airflow to the burner. Spiders, insects and webs can clog the burner/venturi tube. A clogged burner/venturi tube can lead to a fire.
9. If damage to any component is detected, do NOT operate until repairs are completed.

Cleaning Surfaces

1. Wipe surfaces clean with mild dishwashing detergent or baking soda mixed with water.
2. For stubborn stains, use a citrus-based cleaner and a nylon scrubbing brush.
3. Rinse clean with water.
4. Allow to air dry.

Before Storing

1. Turn LP gas tank valve to “CLOSED.”
 2. Turn control knob to the “OFF” position.
Note: A “poof” sound is normal as the last of the gas is burned.
 3. Disconnect LP gas tank per “Disconnecting LP Gas Tank” section.
 4. Clean all surfaces.
 5. Lightly coat the burner with cooking oil to prevent excess rusting.
- ⚠ CAUTION:** NEVER place cover on hot outdoor fireplace.
6. If storing the outdoor fireplace indoors, cover the outdoor fireplace and store in a cool dry location away from children and pets.
 7. If storing the outdoor fireplace outdoors, cover the outdoor fireplace with a cover for protection from the weather.



Product Registration

For faster warranty service, please register your product immediately. To register, go to BlueRhino.com/warranty or call 1.800.762.1142.

Replacement Parts

For replacement parts, call 1.800.762.1142.

Limited Warranty

Blue Rhino Global Sourcing, Inc. ("Blue Rhino") warrants to the original retail purchaser of this product, and to no other person, that if this product is assembled, maintained, and operated in accordance with the printed instructions accompanying it, then for a period of one (1) year from the date of purchase, all parts in such product shall be free from defects in material and workmanship. Blue Rhino may require reasonable proof of your date of purchase. Therefore, you should retain your sales slip or invoice. This Limited Warranty shall be limited to the repair or replacement of parts, which prove defective under normal use and service and which Blue Rhino shall determine in its reasonable discretion upon examination to be defective. Before returning any parts, you should contact Blue Rhino's Customer Care Department using the contact information listed below. If Blue Rhino confirms, after examination, a defect covered by this Limited Warranty in any returned part, and if Blue Rhino approves the claim, Blue Rhino will replace such defective part without charge. If you return defective parts, transportation charges must be prepaid by you. Blue Rhino will return replacement parts to the original retail purchaser, freight or postage prepaid.

This Limited Warranty does not cover any failures or operating difficulties due to accident, abuse, misuse, alteration, misapplication, improper installation or improper maintenance or service by you or any third party, or failure to perform normal and routine maintenance on the product as set out in this owner's manual. In addition, the Limited Warranty does not cover damage to the finish, such as scratches, dents, discoloration, rust or other weather damage, after purchase.

This Limited Warranty is in lieu of all other express warranties. Blue Rhino disclaims all warranties for products that are purchased from sellers other than authorized retailers or distributors, including the warranty of merchantability or the warranty of fitness for a particular purpose. Blue Rhino ALSO DISCLAIMS ANY AND ALL IMPLIED WARRANTIES, INCLUDING WITHOUT LIMITATION THE IMPLIED WARRANTIES OF MERCHANTABILITY AND FITNESS FOR A PARTICULAR PURPOSE. Blue Rhino SHALL HAVE NO LIABILITY TO PURCHASER OR ANY THIRD PARTY FOR ANY SPECIAL, INDIRECT, PUNITIVE, INCIDENTAL, OR CONSEQUENTIAL DAMAGES. Blue Rhino further disclaims any implied or express warranty of, and assumes no responsibility for, defects in workmanship caused by third parties.

This Limited Warranty gives the purchaser specific legal rights; a purchaser may have other rights depending upon where he or she lives. Some jurisdictions do not allow the exclusion or limitation of special, incidental or consequential damages, or limitations on how long a warranty lasts, so the above exclusion and limitations may not apply to everyone.

Blue Rhino does not authorize any person or company to assume for it any other obligation or liability in connection with the sale, installation, use, removal, return, or replacement of its equipment, and no such representations are binding on Blue Rhino.

Blue Rhino Global Sourcing, Inc.
 Winston-Salem, North Carolina 27105 USA
 1.800.762.1142

Troubleshooting

| Problem | Possible Cause | Prevention/Cure |
|---|---|---|
| Burner will not light using igniter | LP gas tank valve is closed | Make sure regulator is securely attached to the LP gas tank per "Installing LP Gas Tank," then turn LP gas tank valve to "OPEN" |
| | LP gas tank is low or empty | Exchange, refill or replace LP gas tank |
| | LP gas leak | 1. Turn LP gas tank valve to "CLOSED" 2. Wait 5 minutes for gas to clear 3. Follow "Checking for Leaks" section |
| | Battery needs to be changed | Replace the "AA" battery (follow assembly step for inserting battery) |
| | Electrode and burners are wet | Wipe dry with cloth |
| | Electrode cracked or broken - sparks at crack | Replacement part(s) may be needed - contact Customer Care at 800.762.1142 |
| | Wire loose or disconnected | Reconnect wire or replacement part(s) may be needed - contact Customer Care at 800.762.1142 |
| | Wire is shorting (sparking) between igniter and electrode | Replacement part(s) may be needed - contact Customer Care at 800.762.1142 |
| | Thermocouple is not operating correctly | 1. Disconnect LP Gas tank per "Disconnect LP Gas Tank" section. 2. Clean area around thermocouple. 3. Connect LP gas tank per "Connect LP Gas Tank" section. 4. Relight per "Lighting" section. 5. If the outdoor fire table is still not working, please contact Customer Care at 800.762.1142 for additional assistance. |
| Bad igniter | Replacement part(s) may be needed - contact Customer Care at 800.762.1142 | |
| Burner will not light with match | No gas flow | Check if LP gas tank is empty a. If empty, exchange, refill or replace LP gas tank b. If LP gas tank is not empty, refer to "Sudden drop in gas flow or reduced flame height" (see below) |
| | LP gas tank is low or empty | Exchange, refill or replace LP gas tank |
| | LP gas leak | 1. Turn LP gas tank valve to "CLOSED" 2. Wait 5 minutes for gas to clear 3. Follow "Checking for Leaks" section |
| | Coupling nut and regulator not fully connected | Turn the coupling nut about one-half to three-quarters additional turn until solid stop. Tighten by hand only - do NOT use tools. |
| | Obstruction of gas flow | 1. Clear burner/venturi tube 2. Check for bent or kinked hose |
| | Disengagement of burner to valve | Re-engage burner and valve |
| | Spider webs or insect nest in burner/venturi tube | Clean burner/venturi tube |
| | Thermocouple is not operating correctly | 1. Disconnect LP Gas tank per "Disconnect LP Gas Tank" section. 2. Clean area around thermocouple. 3. Connect LP gas tank per "Connect LP Gas Tank" section. 4. Relight per "Lighting" section. 5. If the outdoor fire table is still not working, please contact Customer Care at 800.762.1142 for additional assistance. |
| Burner ports clogged or blocked | Clean burner ports | |
| Sudden drop in gas flow or reduced flame height | Out of gas | Exchange, refill or replace LP gas tank |
| | Overfilling prevention device may have been activated | 1. Turn control knob to "OFF" 2. Wait 30 seconds and light outdoor fire table per "Lighting" section 3. If flames are still too low, reset the overfilling prevention device: a. Turn control knob(s) "OFF" b. Turn LP gas tank valve to "CLOSED" c. Disconnect regulator d. Turn control knobs to "HIGH" e. Wait one minute f. Turn control knobs to "OFF" g. Reconnect regulator and leak check connections, being careful not to fully open valve h. Light outdoor fire table per "Lighting" section |
| Irregular flame pattern, flame does not run the full length of burner | Burner ports are clogged or blocked | Clean burner ports |
| Flame is yellow or orange | New burner may have residual manufacturing oils | Burn outdoor fire table for 15 minutes and reinspect |
| | Spider webs or insect nest in burner/venturi tube | Clean burner/venturi tube |
| | Poor alignment of valve to burner/venturi tube | Ensure burner/venturi tube is properly engaged with valve |
| Flame goes out | High or gusting winds | Do not use outdoor fire table in high winds |
| | Low on LP gas | Exchange, refill or replace LP gas tank |
| | Excess flow valve tripped | Refer to "Sudden drop in gas flow or reduced flame height" |
| | Thermocouple is not operating correctly | 1. Disconnect LP Gas tank per "Disconnect LP Gas Tank" section. 2. Clean area around thermocouple. 3. Connect LP gas tank per "Connect LP Gas Tank" section. 4. Relight per "Lighting" section. 5. If the outdoor fire table is still not working, please contact Customer Care at 800.762.1142 for additional assistance. |
| Flashback (fire in venturi/burner tube(s)) | Burner and/or burner/venturi tube is blocked | Clean burner and/or burner/venturi tube |
| Flame seems to lose heat when burning in cold weather - temperature below 50°F | Ice has built up on the outside of the LP gas tank because the vaporization process is too slow | 1. Turn off per "Turning Off" section 2. Replace with a spare LP gas tank 3. Reconnect LP gas tank per "Installing LP Gas Tank" section 4. Follow "Checking for Leaks" section 5. Light outdoor fire table per "Lighting" section |

For assistance, please visit us at BlueRhino.com or call 1.800.762.1142.

**?Necesita ayuda? Llame al 1.800.762.1142.
No vuelva al lugar de compra.**

**Para piezas de repuesto
1.800.762.1142**



Resolución de problemas

| Problema | Causa posible | Prevención/solución |
|---|---|---|
| La llama se apaga. | <p>Vientos fuertes o racheados.</p> <p>Nivel de gas del tanque de propano bajo.</p> <p>Puede que se haya activado el dispositivo de seguridad de exceso de flujo.</p> | <p>No use la chimenea para exteriores cuando hay vientos fuertes.</p> <p>Cambie, reemplace o vuelva a llenar el tanque de propano.</p> <p>Consulte la sección "Calda repentina del flujo de gas o altura de llama insuficiente" de esta página.</p> |
| La llama pierde calor cuando la temperatura exterior baja debajo de 50°F (10°C) | <p>Le thermocouple ne fonctionne pas correctement.</p> | <p>1. Débrancher la bouteille de propane en suivant les instructions du paragraphe « Débrancher la bouteille de propane ».</p> <p>2. Nettoyez la zone autour du thermocouple.</p> <p>3. Branchez la bouteille de propane en suivant les instructions du paragraphe « Brancher la bouteille de propane ».</p> <p>4. Rallumez en suivant les instructions du paragraphe « Pour allumer ».</p> <p>5. Si le foyer d'extérieur en fonctionne toujours pas, veuillez contacter le Service à la clientèle au 1.800.762.1142 pour que l'on vous aide.</p> |
| Fogonazo (fuego dentro del venturi/tubo(s) del quemador. | <p>El quemador y/o el tubo venturi del quemador está bloqueado.</p> | <p>Limpie el tubo/venturi del quemador.</p> |
| La llama pierde calor cuando la temperatura exterior baja debajo de 50°F (10°C) | <p>Puede que haya escarcha en el exterior del tanque si el proceso de vaporización es demasiado lento.</p> | <p>1. Apague la siguiendo las instrucciones de la sección "Para apagar".</p> <p>2. Cambie, reemplace o vuelva a llenar el tanque de propano.</p> <p>3. Vuelva a conectar el tanque de propano siguiendo las instrucciones descritas en la sección "Instalar el tanque de propano" del manual.</p> <p>4. Siga las indicaciones de "Detección de fugas" descritas en el manual del usuario.</p> <p>5. Encienda la chimenea para exteriores conforme a las instrucciones de encendido.</p> |

Para ayuda más detallada, sírvase visitarlos en BlueRhino.com o llámanos al 1.800.762.1142.

Resolución de problemas

?Necesita ayuda? Llame al 1.800.762.1142. No vuelva al lugar de compra.

Para piezas de repuesto 1.800.762.1142

| Problema | Causa posible | Prevención/solución |
|--|---|--|
| <p>El quemador no se enciende utilizando el encendedor.</p> <p>La válvula del tanque de gas propano está cerrada.</p> <p>Nivel de gas del tanque de propano bajo o tanque vacío.</p> <p>Fuga de gas propano</p> <p>1. Cierre la válvula del tanque de gas propano líquido girándola a la posición "CLOSED" (cerrado).</p> <p>2. Espere 5 minutos para que se disperse el gas.</p> <p>3. Siga las indicaciones de "Detección de fugas" descritas en el manual del usuario.</p> <p>Gire la tuerca de acoplamiento no está conectada por completo.</p> <p>La tuerca de acoplamiento no está conectada por completo.</p> <p>1. Limpie los tubos del quemador.</p> <p>2. Verifique que la manguera no esté torcida o doblada.</p> <p>Desacoplamiento del quemador a la válvula.</p> <p>Vuelva a conectar el quemador y la válvula.</p> <p>Telarañas o nidos de insectos en el venturi.</p> <p>Vuelva a conectar el quemador y la válvula.</p> <p>Le thermocouple ne fonctionne pas correctement.</p> <p>1. Débrancher la bouteille de propane en suivant les instructions du paragraphe « Débrancher la bouteille de propane ».</p> <p>2. Nettoyez la zone autour du thermocouple.</p> <p>3. Branchez la bouteille de propane en suivant les instructions du paragraphe « Branchez la bouteille de propane ».</p> <p>4. Rallumez en suivant les instructions du paragraphe « Pour allumer ».</p> <p>5. Si le foyer d'extincteur en fonctionne toujours pas, veuillez contacter le Service à la Clientèle au 1.800.762.1142 pour que l'on vous aide.</p> <p>Pueden necesitarse piezas de repuesto. Comuníquese con el Servicio al Cliente al 800.762.1142</p> <p>Encendedor defectuoso.</p> | <p>Compruebe si el tanque de propano líquido está vacío.</p> <p>a. Si está vacío, cámbielo, reemplácelo o vuelva a llenarlo.</p> <p>b. Si el tanque de propano líquido no está vacío, consulte la sección "Caída repentina del flujo de gas o altura de llama insuficiente" de esta página.</p> <p>Nivel de gas del tanque de propano bajo o tanque vacío.</p> <p>Fuga de gas propano</p> <p>1. Cierre la válvula del tanque de gas propano líquido girándola a la posición "CLOSED" (cerrado).</p> <p>2. Espere 5 minutos para que se disperse el gas.</p> <p>3. Siga las indicaciones de "Detección de fugas" descritas en el manual del usuario.</p> <p>La tuerca de acoplamiento no está conectada por completo.</p> <p>1. Limpie los tubos del quemador.</p> <p>2. Verifique que la manguera no esté torcida o doblada.</p> <p>Desacoplamiento del quemador a la válvula.</p> <p>Vuelva a conectar el quemador y la válvula.</p> <p>Telarañas o nidos de insectos en el venturi.</p> <p>Vuelva a conectar el quemador y la válvula.</p> <p>Le thermocouple ne fonctionne pas correctement.</p> <p>1. Débrancher la bouteille de propane en suivant les instructions du paragraphe « Débrancher la bouteille de propane ».</p> <p>2. Nettoyez la zone autour du thermocouple.</p> <p>3. Branchez la bouteille de propane en suivant les instructions du paragraphe « Branchez la bouteille de propane ».</p> <p>4. Rallumez en suivant les instructions du paragraphe « Pour allumer ».</p> <p>5. Si le foyer d'extincteur en fonctionne toujours pas, veuillez contacter le Service à la Clientèle au 1.800.762.1142 pour que l'on vous aide.</p> <p>Pueden necesitarse piezas de repuesto. Comuníquese con el Servicio al Cliente al 800.762.1142</p> <p>Encendedor defectuoso.</p> | <p>Aségurese de que el regulador esté conectado de manera segura en el tanque de gas propano siguiendo las instrucciones descritas en la sección "Instalar el tanque de propano" y luego gire la válvula del tanque de gas propano a la posición "OPEN" (abierta)</p> <p>Cambie, reemplace o vuelva a llenar el tanque de propano.</p> <p>1. Cierre la válvula del tanque de gas propano líquido girándola a la posición "CLOSED" (cerrado).</p> <p>2. Espere 5 minutos para que se disperse el gas.</p> <p>3. Siga las indicaciones de "Inspección de fugas" descritas en el manual del usuario.</p> <p>Reemplace la pila AA (vea el paso de instalación de la pila de las instrucciones de armado)</p> <p>Los electrodos y los quemadores están mojados.</p> <p>Séquelos con un paño.</p> <p>Pueden necesitarse piezas de repuesto. Comuníquese con el Servicio al Cliente al 800.762.1142</p> <p>Electrodo agrietado o roto; chispas en las grietas.</p> <p>Cable suelto o desconectado.</p> <p>Puede ser necesario volver a conectar el cable u obtener piezas de repuesto. Comuníquese con el Servicio al Cliente al 800.762.1142</p> <p>El cable tiene un cortocircuito (chispeo) entre el encendedor y el electrodo.</p> <p>800.762.1142</p> <p>Le thermocouple ne fonctionne pas correctement.</p> <p>1. Débrancher la bouteille de propane en suivant les instructions du paragraphe « Débrancher la bouteille de propane ».</p> <p>2. Nettoyez la zone autour du thermocouple.</p> <p>3. Branchez la bouteille de propane en suivant les instructions du paragraphe « Branchez la bouteille de propane ».</p> <p>4. Rallumez en suivant les instructions du paragraphe « Pour allumer ».</p> <p>5. Si le foyer d'extincteur en fonctionne toujours pas, veuillez contacter le Service à la Clientèle au 1.800.762.1142 pour que l'on vous aide.</p> <p>Pueden necesitarse piezas de repuesto. Comuníquese con el Servicio al Cliente al 800.762.1142</p> |
| <p>El quemador no se enciende con una cerilla.</p> <p>No hay flujo de gas.</p> <p>a. Si está vacío, cámbielo, reemplácelo o vuelva a llenarlo.</p> <p>b. Si el tanque de propano líquido no está vacío, consulte la sección "Caída repentina del flujo de gas o altura de llama insuficiente" de esta página.</p> <p>Nivel de gas del tanque de propano bajo o tanque vacío.</p> <p>Cambie, reemplace o vuelva a llenar el tanque de propano.</p> <p>Fuga de gas propano</p> <p>1. Cierre la válvula del tanque de gas propano líquido girándola a la posición "CLOSED" (cerrado).</p> <p>2. Espere 5 minutos para que se disperse el gas.</p> <p>3. Siga las indicaciones de "Detección de fugas" descritas en el manual del usuario.</p> <p>Gire la tuerca de acoplamiento no está conectada por completo.</p> <p>La tuerca de acoplamiento no está conectada por completo.</p> <p>1. Limpie los tubos del quemador.</p> <p>2. Verifique que la manguera no esté torcida o doblada.</p> <p>Desacoplamiento del quemador a la válvula.</p> <p>Vuelva a conectar el quemador y la válvula.</p> <p>Telarañas o nidos de insectos en el venturi.</p> <p>Vuelva a conectar el quemador y la válvula.</p> <p>Le thermocouple ne fonctionne pas correctement.</p> <p>1. Débrancher la bouteille de propane en suivant les instructions du paragraphe « Débrancher la bouteille de propane ».</p> <p>2. Nettoyez la zone autour du thermocouple.</p> <p>3. Branchez la bouteille de propane en suivant les instructions du paragraphe « Branchez la bouteille de propane ».</p> <p>4. Rallumez en suivant les instructions du paragraphe « Pour allumer ».</p> <p>5. Si le foyer d'extincteur en fonctionne toujours pas, veuillez contacter le Service à la Clientèle au 1.800.762.1142 pour que l'on vous aide.</p> <p>Orificios del quemador atascados u obstruidos.</p> <p>Limpie los orificios del quemador.</p> | <p>Compruebe si el tanque de propano líquido está vacío.</p> <p>a. Si está vacío, cámbielo, reemplácelo o vuelva a llenarlo.</p> <p>b. Si el tanque de propano líquido no está vacío, consulte la sección "Caída repentina del flujo de gas o altura de llama insuficiente" de esta página.</p> <p>Nivel de gas del tanque de propano bajo o tanque vacío.</p> <p>Fuga de gas propano</p> <p>1. Cierre la válvula del tanque de gas propano líquido girándola a la posición "CLOSED" (cerrado).</p> <p>2. Espere 5 minutos para que se disperse el gas.</p> <p>3. Siga las indicaciones de "Detección de fugas" descritas en el manual del usuario.</p> <p>La tuerca de acoplamiento no está conectada por completo.</p> <p>1. Limpie los tubos del quemador.</p> <p>2. Verifique que la manguera no esté torcida o doblada.</p> <p>Desacoplamiento del quemador a la válvula.</p> <p>Vuelva a conectar el quemador y la válvula.</p> <p>Telarañas o nidos de insectos en el venturi.</p> <p>Vuelva a conectar el quemador y la válvula.</p> <p>Le thermocouple ne fonctionne pas correctement.</p> <p>1. Débrancher la bouteille de propane en suivant les instructions du paragraphe « Débrancher la bouteille de propane ».</p> <p>2. Nettoyez la zone autour du thermocouple.</p> <p>3. Branchez la bouteille de propane en suivant les instructions du paragraphe « Branchez la bouteille de propane ».</p> <p>4. Rallumez en suivant les instructions du paragraphe « Pour allumer ».</p> <p>5. Si le foyer d'extincteur en fonctionne toujours pas, veuillez contacter le Service à la Clientèle au 1.800.762.1142 pour que l'on vous aide.</p> <p>Orificios del quemador atascados u obstruidos.</p> <p>Limpie los orificios del quemador.</p> | <p>Aségurese de que el regulador esté conectado de manera segura en el tanque de gas propano siguiendo las instrucciones descritas en la sección "Instalar el tanque de propano" y luego gire la válvula del tanque de gas propano a la posición "OPEN" (abierta)</p> <p>Cambie, reemplace o vuelva a llenar el tanque de propano.</p> <p>1. Gire la perilla de control a la posición "APAAGADO".</p> <p>2. Espere 30 segundos y encienda la chimenea siguiendo las instrucciones descritas en la sección "Encendido" del manual.</p> <p>3. Si las llamas continúan siendo demasiado bajas reinicie el dispositivo de seguridad de flujo excesivo:</p> <p>a. Gire la(s) perilla(s) de control a la posición "APAAGADO".</p> <p>b. Cierre el gas girando la válvula del tanque de propano líquido a la posición "CLOSED" (cerrado).</p> <p>c. Desconecte el regulador.</p> <p>d. Gire las perillas de control a la posición (alto).</p> <p>e. Espere 1 minuto.</p> <p>f. Gire las perillas de control a la posición "APAAGADO".</p> <p>g. Vuelva a conectar el regulador y verifique las conexiones para averiguar que no haya fugas. Tenga cuidado, asegúrese de no abrir la válvula completamente.</p> <p>h. Encienda la chimenea para extinguires conforme a las instrucciones de encendido.</p> |
| <p>Falta de uniformidad en la llama, la llama no cubre toda la longitud del quemador.</p> <p>Los orificios del quemador están atascados u obstruidos.</p> <p>Limpie los orificios del quemador.</p> | <p>Los orificios del quemador están atascados u obstruidos.</p> <p>Limpie los orificios del quemador.</p> | <p>Aségurese de que el tubo/venturi del quemador está conectado adecuadamente a la válvula.</p> <p>Limpie el tubo/venturi del quemador.</p> |
| <p>Caída repentina del flujo de gas o altura de la llama insuficiente.</p> <p>Flujo excesivo: puede que se haya activado el dispositivo de seguridad de exceso de flujo.</p> <p>1. Gire la perilla de control a la posición "APAAGADO".</p> <p>2. Espere 30 segundos y encienda la chimenea siguiendo las instrucciones descritas en la sección "Encendido" del manual.</p> <p>3. Si las llamas continúan siendo demasiado bajas reinicie el dispositivo de seguridad de flujo excesivo:</p> <p>a. Gire la(s) perilla(s) de control a la posición "APAAGADO".</p> <p>b. Cierre el gas girando la válvula del tanque de propano líquido a la posición "CLOSED" (cerrado).</p> <p>c. Desconecte el regulador.</p> <p>d. Gire las perillas de control a la posición (alto).</p> <p>e. Espere 1 minuto.</p> <p>f. Gire las perillas de control a la posición "APAAGADO".</p> <p>g. Vuelva a conectar el regulador y verifique las conexiones para averiguar que no haya fugas. Tenga cuidado, asegúrese de no abrir la válvula completamente.</p> <p>h. Encienda la chimenea para extinguires conforme a las instrucciones de encendido.</p> | <p>Flujo excesivo: puede que se haya activado el dispositivo de seguridad de exceso de flujo.</p> | <p>Aségurese de que el tubo/venturi del quemador está conectado adecuadamente a la válvula.</p> <p>Limpie el tubo/venturi del quemador.</p> |
| <p>La llama es de color amarillo o anaranjado.</p> <p>Puede que el nuevo quemador tenga aceites residuales del proceso de fabricación.</p> <p>Telarañas o nidos de insectos en el tubo/venturi del quemador.</p> <p>Limpie el tubo/venturi del quemador.</p> | <p>La válvula no queda correctamente alineada con el venturi del quemador.</p> | <p>Aségurese de que el tubo/venturi del quemador está conectado adecuadamente a la válvula.</p> <p>Limpie el tubo/venturi del quemador.</p> |



Mesa y chimenea para exteriores a gas propano líquido Modelo no. GAD15253B

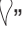
Limpieza y cuidado (continuación)

7. Revise los componentes para asegurarse de que no haya daño u óxido.
8. Verifique que no hayan obstrucciones en el quemador. Las arañas, insectos y telas de araña pueden obstruir el quemador/tubo venturi. Un quemador/tubo venturi obstruido puede causar incendio.
9. Si se detecta daño en cualquiera de los componentes, NO haga funcionar el artefacto hasta que se haya reparado.

Limpieza de las superficies

1. Limpie las superficies con un detergente suave de lavado de platos o con soda de hornear mezclado con agua.
2. En superficies de limpieza difícil, use un desengrasador a base de cítricos y un cepillo de nylon.
3. Enjuague las superficies con agua limpia.
4. Deje las superficies secar al aire libre.

Antes de almacenar

1. Cierre la válvula del tanque de gas propano líquido girándola a la posición "CLOSED" (cerrado).
2. Gire la perilla de control a la posición "APAGADO" . Nota: El ruido de "put" es normal cuando el residuo de gas propano licuado en la línea se ha extinguido.
3. Desconecte el tanque de propano de acuerdo con las instrucciones descritas en la sección "Desconectar el tanque de gas propano líquido" y guárdelo en un lugar apropiado.
4. Limpie las superficies.
5. Cubra con una capa delgada de aceite de cocinar el quemador para evitar que se oxide excesivamente.
6. Si guarda la chimenea de exteriores en interiores, cúbrala y guárdela en un lugar fresco y seco lejos de los niños y las mascotas.
7. Si guarda la chimenea de exteriores al aire libre, cúbrala con una cubierta a fin de protegerla contra la intemperie.

PRECAUCIÓN: NUNCA coloque la cubierta sobre la chimenea de exteriores caliente.

Para beneficiar del servicio de garantía más rápidamente, sírvase registrar su unidad inmediatamente visitando nuestro sitio Internet BlueRhino.com/warranty o llamando al 1.800.762.1142.

Registro del producto

Esta garantía limitada reemplaza cualquier otra garantía. Blue Rhino no asume ninguna responsabilidad por garantías vendidas por quienes no sean distribuidores o vendedores al detal autorizados. Esta exención de responsabilidad incluye cualquier garantía de comerciabilidad o la garantía de aptitud para un propósito en particular. BLUE RHINO NO SE HACE RESPONSABLE POR NINGUNA GARANTIA IMPLICITA INCLUYENDO, SIN LIMITACIONES, LAS GARANTIAS IMPLICITAS DE COMERCIABILIDAD Y ADAPTABILIDAD A UN PROPOSITO PARTICULAR. BLUE RHINO NO ASUME RESPONSABILIDAD ANTE EL COMPRADOR O ANTE CUALQUIER TERCERA PERSONA POR DAÑOS ESPECIALES, INDIRECTOS, PUNITIVOS, INCIDENTALES O CONSECUENCIALES. Blue Rhino, además, no asume responsabilidad por garantías implícitas o expresas por defectos de mano de obra causados por terceras personas. Esta garantía limitada le da al comprador derechos legales específicos y el comprador puede tener otros derechos según el lugar donde el comprador o la compradora residan. Ciertas jurisdicciones no permiten limitaciones en cuanto a la duración de una garantía implícita, de manera que esta limitación puede no ser aplicable a usted.

Blue Rhino no autoriza a ninguna persona o compañía para asumir por Blue Rhino cualquier otra obligación a responsabilidad relacionada con la venta, instalación, uso, remoción, devolución o reemplazo de este equipo y cualquier representación de esta naturaleza no obliga a Blue Rhino.

Blue Rhino Sourcing, Inc.
Winston-Salem, North Carolina 27105, EE.UU.
(800)-762-1142

Garantía limitada

Blue Rhino Sourcing, Inc. ("Blue Rhino") garantiza al comprador original al detal de este producto, y a ninguna otra persona, que si la unidad se arma y opera de acuerdo con las instrucciones impresas que la acompañan y por un periodo de un (1) año a partir de la fecha de compra, todas las piezas de este producto estarán libres de defectos en material y mano de obra. Blue Rhino podrá requerir prueba razonable de la fecha de compra. Por lo tanto, usted debe conservar el recibo de venta o la factura. Esta garantía limitada estará limitada a la reparación o reemplazo de las piezas que resulten defectuosas en condiciones de servicio y uso normal y las que un examen indique, a satisfacción de Blue Rhino, que están defectuosas. Antes de devolver cualquier pieza, comuníquese con el Departamento de Servicio al Cliente de Blue Rhino. Si Blue Rhino confirma el defecto y aprueba el reclamo, Blue Rhino decidirá reemplazar tales partes sin costo alguno. Si se le pide que devuelva las partes defectuosas, los costos de transporte deberán ser prepagados. Blue Rhino devolverá las partes al cliente con costo de transporte o envío prepagados.

Piezas de repuesto

Puede encontrar piezas de repuesto en llame al 1.800.762.1142.

Instrucciones de operación

- ⚠ ADVERTENCIA:** Antes de usar esta chimenea para exteriores, asegúrese de leer y entender la siguiente información proporcionada en la sección “Salvaguardias importantes” en la página 2. El incumplimiento de dichas instrucciones puede causar la muerte, lesiones graves o daños materiales.
- Conexiones del quemador**
- Asegúrese de conectar adecuadamente la válvula del regulador y su manguera al quemador y al tanque.
 - Si alguien armó la unidad para usted, verifique visualmente la conexión entre el tubo del quemador y el orificio.
 - Asegúrese de que el tubo del quemador encaja sobre el orificio.
- ⚠ ADVERTENCIA:** El no inspeccionar esta conexión o seguir debidamente estas instrucciones puede causar incendio o explosión ocasionando muerte, graves lesiones o daños a la propiedad.
- Prepárese unos 80 ml de solución para comprobar si hay fugas mezclando una parte de jabón líquido para lavar platos y tres partes de agua.
 - Asegúrese de que las perillas de control están en la posición “⚠ APAGADO”. Vea la Figura 3.
 - Conecte el tanque de gas propano líquido siguiendo las instrucciones descritas en la sección “Instalar el tanque de gas propano líquido”.
 - Coloque la válvula del tanque de gas propano líquido en la posición “OPEN” (abierto).
 - Conecte el tanque de gas propano líquido siguiendo las instrucciones descritas en la sección “Instalar el tanque de gas propano líquido”.
 - Coloque la válvula del tanque de gas propano líquido en la posición “OPEN” (abierto).
 - Oprima y gire la perilla de control a la posición ⚡ (ALTO). Continúe manteniendo en posición oprimida la perilla de control para encender.
 - Después que se encienda la mesa chimenea, continúe manteniendo oprimida la perilla de control por 20 segundos para calentar el termopar, un dispositivo de seguridad que detiene el flujo de gas cuando una chimenea no está encendida. Mantenga oprimida la perilla por 20 segundos lo caliente para que continúe el flujo de gas.
 - Después de 20 segundos, suelte y gire la perilla de control en el sentido contrario a las manecillas del reloj para ajustar la llama a la altura deseada.
 - Si después de tres intentos no se enciende, coloque la perilla de control del quemador en la posición “⚠ APAGADO”.
 - Esperar 5 minutos, ventile con un periódico o revista y repita el procedimiento de encendido.
 - Si el encendedor no enciende el quemador:

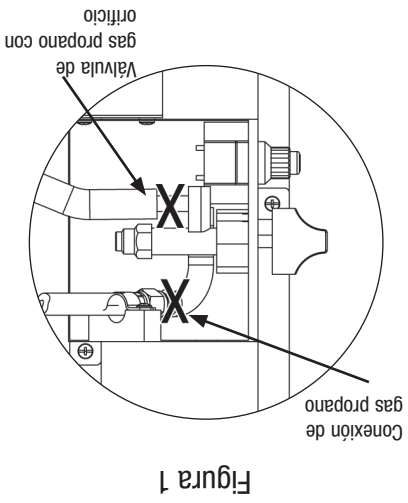


Figura 1

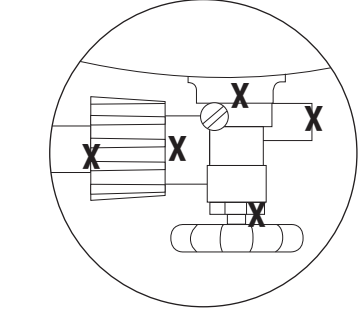


Figura 2

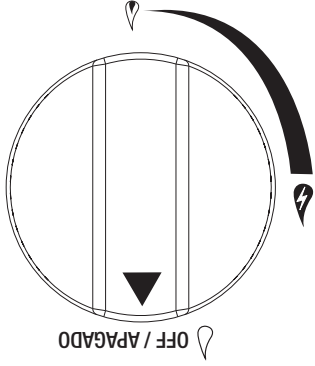


Figura 3

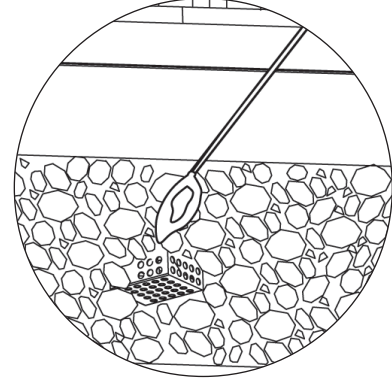


Figura 4

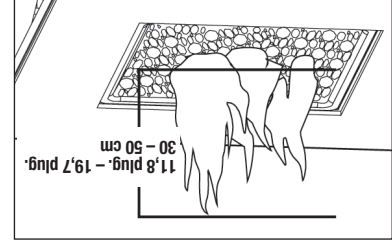


Figura 5

Conexión de la línea de gas y del tanque

- Prepárese unos 80 ml de solución para comprobar si hay fugas mezclando una parte de jabón líquido para lavar platos y tres partes de agua.
- Asegúrese de que las perillas de control están en la posición “⚠ APAGADO”. Vea la Figura 3.
- Conecte el tanque de gas propano líquido siguiendo las instrucciones descritas en la sección “Instalar el tanque de gas propano líquido”.
- Coloque la válvula del tanque de gas propano líquido en la posición “OPEN” (abierto).
- Aplique con una cuchara varias gotas de la solución, o use un frasco rociador, en todas las ubicaciones marcadas con “X” (vea Figuras 1, y 2).

- Si en cualquier punto aparecen burbujas, cierre el gas girando la válvula del tanque de propano a la posición “CLOSED” (cerrado), vuelva a conectar y verifique nuevamente.
- Si las burbujas continúan apareciendo después de varios ensayos, cierre el gas girando la válvula del tanque de propano a la posición “CLOSED” (cerrado), desconecte el tanque de propano de acuerdo con las instrucciones descritas en la sección “Desconectar el tanque de gas propano líquido” y llame al teléfono 1.800.762.1142 para obtener ayuda.
- Si no aparecen burbujas por un lapso de un minuto, cierre el gas girando la válvula del tanque de propano a la posición “CLOSED” (cerrado) y limpie la solución para continuar el proceso.

Detección de fugas

- ⚠ ADVERTENCIA:** Antes de usar esta chimenea para exteriores, asegúrese de leer y entender la siguiente información proporcionada en la sección “Salvaguardias importantes” en la página 2. El incumplimiento de dichas instrucciones puede causar la muerte, lesiones graves o daños materiales.

Conexiones del quemador

- Asegúrese de conectar adecuadamente la válvula del regulador y su manguera al quemador y al tanque.
- Si alguien armó la unidad para usted, verifique visualmente la conexión entre el tubo del quemador y el orificio.
- Asegúrese de que el tubo del quemador encaja sobre el orificio.

- ⚠ ADVERTENCIA:** El no inspeccionar esta conexión o seguir debidamente estas instrucciones puede causar incendio o explosión ocasionando muerte, graves lesiones o daños a la propiedad.
- Prepárese unos 80 ml de solución para comprobar si hay fugas mezclando una parte de jabón líquido para lavar platos y tres partes de agua.
 - Asegúrese de que las perillas de control están en la posición “⚠ APAGADO”. Vea la Figura 3.
 - Conecte el tanque de gas propano líquido siguiendo las instrucciones descritas en la sección “Instalar el tanque de gas propano líquido”.
 - Coloque la válvula del tanque de gas propano líquido en la posición “OPEN” (abierto).
 - Aplique con una cuchara varias gotas de la solución, o use un frasco rociador, en todas las ubicaciones marcadas con “X” (vea Figuras 1, y 2).

- Conexión de la línea de gas y del tanque**
- Prepárese unos 80 ml de solución para comprobar si hay fugas mezclando una parte de jabón líquido para lavar platos y tres partes de agua.
 - Asegúrese de que las perillas de control están en la posición “⚠ APAGADO”. Vea la Figura 3.
 - Conecte el tanque de gas propano líquido siguiendo las instrucciones descritas en la sección “Instalar el tanque de gas propano líquido”.
 - Coloque la válvula del tanque de gas propano líquido en la posición “OPEN” (abierto).
 - Aplique con una cuchara varias gotas de la solución, o use un frasco rociador, en todas las ubicaciones marcadas con “X” (vea Figuras 1, y 2).

- Si en cualquier punto aparecen burbujas, cierre el gas girando la válvula del tanque de propano a la posición “CLOSED” (cerrado), vuelva a conectar y verifique nuevamente.
- Si las burbujas continúan apareciendo después de varios ensayos, cierre el gas girando la válvula del tanque de propano a la posición “CLOSED” (cerrado), desconecte el tanque de propano de acuerdo con las instrucciones descritas en la sección “Desconectar el tanque de gas propano líquido” y llame al teléfono 1.800.762.1142 para obtener ayuda.
- Si no aparecen burbujas por un lapso de un minuto, cierre el gas girando la válvula del tanque de propano a la posición “CLOSED” (cerrado) y limpie la solución para continuar el proceso.

Encendido

- ⚠ ADVERTENCIA:** NUNCA encienda el quemador con la cubierta de la chimenea para exteriores puesta.
- ⚠ PRECAUCIÓN:** Mantenga el área de la chimenea para exteriores limpia y libre de materiales combustibles, gasolina y otros líquidos y vapores inflamables.
- ⚠ PRECAUCIÓN:** No obstruya el flujo del aire de ventilación y combustión.
- ⚠ PRECAUCIÓN:** Revise y limpie el quemador/tubos venturi para eliminar los insectos y nidos de insectos. Un tubo obstruido puede causar un incendio.
- Verifique que todos los empaques, etiquetas y envolturas de protección han sido removidos de la chimenea para exteriores.
 - Asegúrese de que no hay nada que obstruya el flujo de aire hasta el quemador. Un tubo de quemador/venturi obstruido puede provocar un incendio.

Limpieza y cuidado

⚠ PRECAUCIÓN:

- Todas las operaciones de limpieza y mantenimiento deben realizarse con la chimenea para exteriores fría y con el tanque de propano desconectado.
- NO limpie ninguna pieza de esta chimenea para exteriores en un horno de limpieza automática. El calor extremo dañará el terminado.
- NO agrande los orificios de las válvulas ni los orificios de los quemadores al limpiar las válvulas o quemadores.
- Todos los componentes de esta chimenea para exteriores pueden calentarse.
- NO limpie esta chimenea para exteriores antes de que estén fríos todos los componentes.

Avisos

- Esta chimenea para exteriores debe limpiarse y verificarse completamente de manera regular.
- No use productos de limpieza abrasivos pues dañarán este aparato.
- No utilice nunca productos limpiadores para limpiar cualquier pieza de la chimenea para exteriores.

Cada vez que vaya a usar la unidad:

- Mantenga el rededor de la unidad limpio y libre de materiales combustibles, gasolina, y otros líquidos y vapores inflamables.
- No obstruya el flujo de aire de combustión del propano líquido ni el aire de ventilación.
- Mantenga la abertura o aberturas de la zona del tanque de gas propano líquido abiertas y libres de basura.
- Visualmente examine la llama del quemador para estar seguro de que la chimenea para exteriores está funcionando adecuadamente (vea la Figura 5).
- Vea a continuación las instrucciones de limpieza apropiadas.
- Revise todas las conexiones de gas para asegurarse de que no hayan fugas.

Instrucciones de armado (continuación)

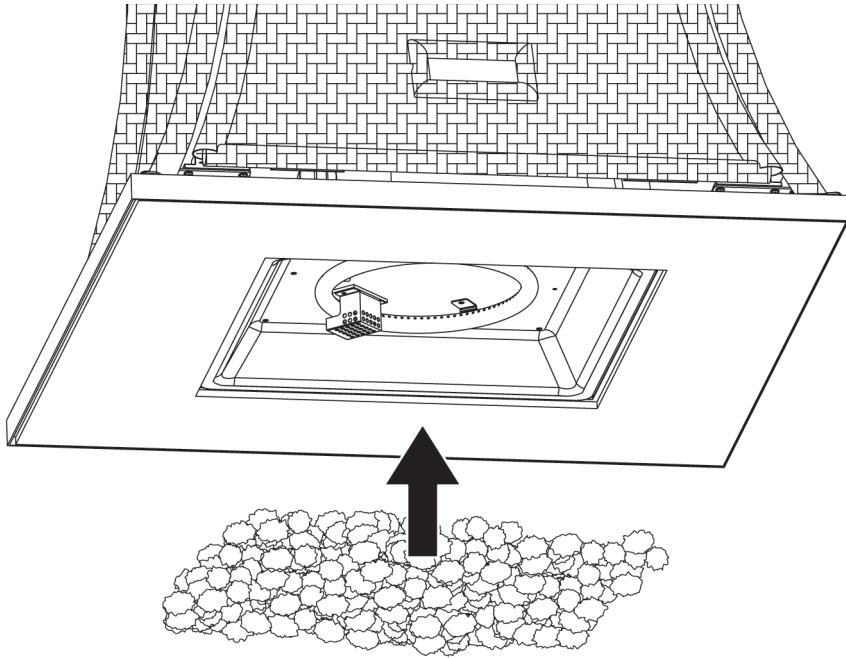
ARTÍCULO ADICIONAL VENDIDO POR SEPARADO

12

Coloque las piedras de vidrio

- ▲ **PRECAUCIÓN:** Al cambiar de rocas de lava a rocas de vidrio, retire toda las rocas de lava antes de colocar rocas de vidrio.
- ▲ **PRECAUCIÓN:** NO deje caer las piedras de vidrio de su bolsa. Cuidadosamente coloque las piedras de vidrio con la mano de manera que el polvo no atore el quemador.
- ▲ **PRECAUCIÓN:** Use únicamente rocas de vidrio autorizadas de fábrica de Blue Rhino Global Sourcing, Inc. El uso de rocas de vidrio no autorizadas por la fábrica puede ser peligroso. Su uso invalidará su garantía.
- ▲ **PRECAUCIÓN:** NO cubra el cubierta del encendedor.

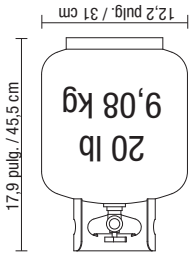
Nota: Las piedras de vidrio deben medir entre 0,8 y 2,0 pulg. (2-5 cm) de largo. Se necesita aproximadamente 6 kg (13,2 lb) de piedras de vidrio.



Instalación del tanque de gas propano líquido

Para operar la chimenea para exteriores usted necesitará un (1) tanque de gas propano líquido para parrilla estándar llenado con precisión con válvula roscada externa.

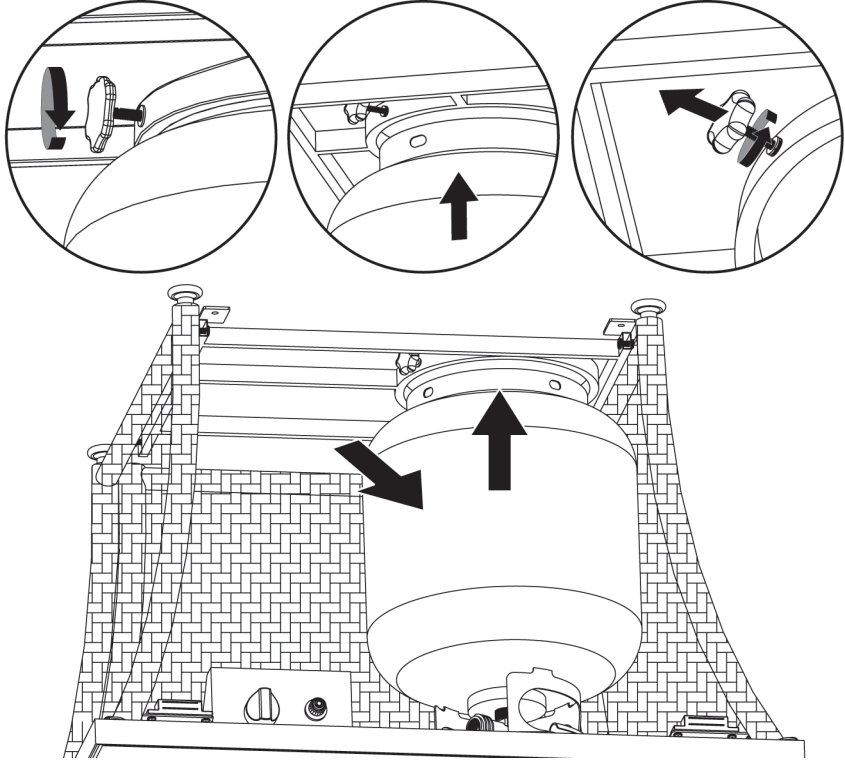
- ▲ **PRECAUCIÓN:** El tanque de gas propano líquido debe desconectarse correctamente y retirarse antes de mover esta chimenea para exteriores.



Insertar y asegurar el tanque de gas propano líquido

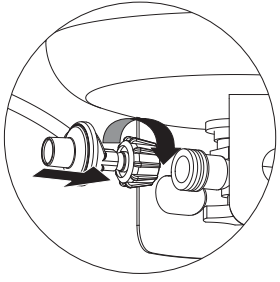
- ▲ **ADVERTENCIA:** Asegúrese de que la válvula del tanque de gas propano líquido esté cerrada.

1. Desinstale la puerta.
2. La perilla de control tiene que estar en la posición "APAGADO". Vea la Figura 3.
3. Afloje el perno de sujeción del tanque de propano girándolo en sentido contrario a las manecillas del reloj.
4. Coloque un tanque de propano, llenado con precisión, en posición vertical en el agujero de la repisa inferior de manera que la válvula del tanque quede orientada hacia la conexión de la línea de gas.
5. Asegure el tanque de propano girando el perno de sujeción del tanque en sentido de las manecillas del reloj.
6. Vuelva a colocar la puerta.



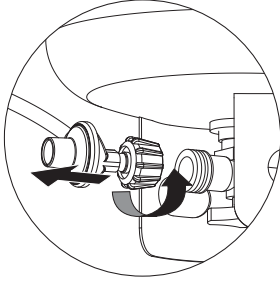
Conectar el tanque de gas propano líquido

1. La perilla de control tiene que estar en la posición "APAGADO". Vea la Figura 3.
2. Antes de conectar el tanque, asegúrese de que tanto la cabeza del mismo como la del regulador y los orificios/puertos del quemador, están libres del cualquier suciedad.
3. Conecte el regulador y su manguera al tanque girando la perilla en la dirección de las manecillas del reloj hasta su límite.
4. Asegúrese de que no haya fugas siguiendo las instrucciones de la sección "Detección de fugas".



Desconectar el tanque de gas propano líquido

1. La perilla de control tiene que estar en la posición "APAGADO". Vea la Figura 3.
2. Antes de desconectar el tanque, asegúrese de que la válvula del tanque de gas propano líquido está en la posición "CLOSED" (cerrado)
3. Desconecte el regulador y su manguera del tanque girando la perilla en la dirección contraria a las manecillas del reloj hasta que esté floja.
4. Coloque la tapa protectora y la cubierta en el tanque de gas propano líquido y almacene el tanque en exteriores en un área con buena ventilación y en donde no le caiga la luz solar directamente.

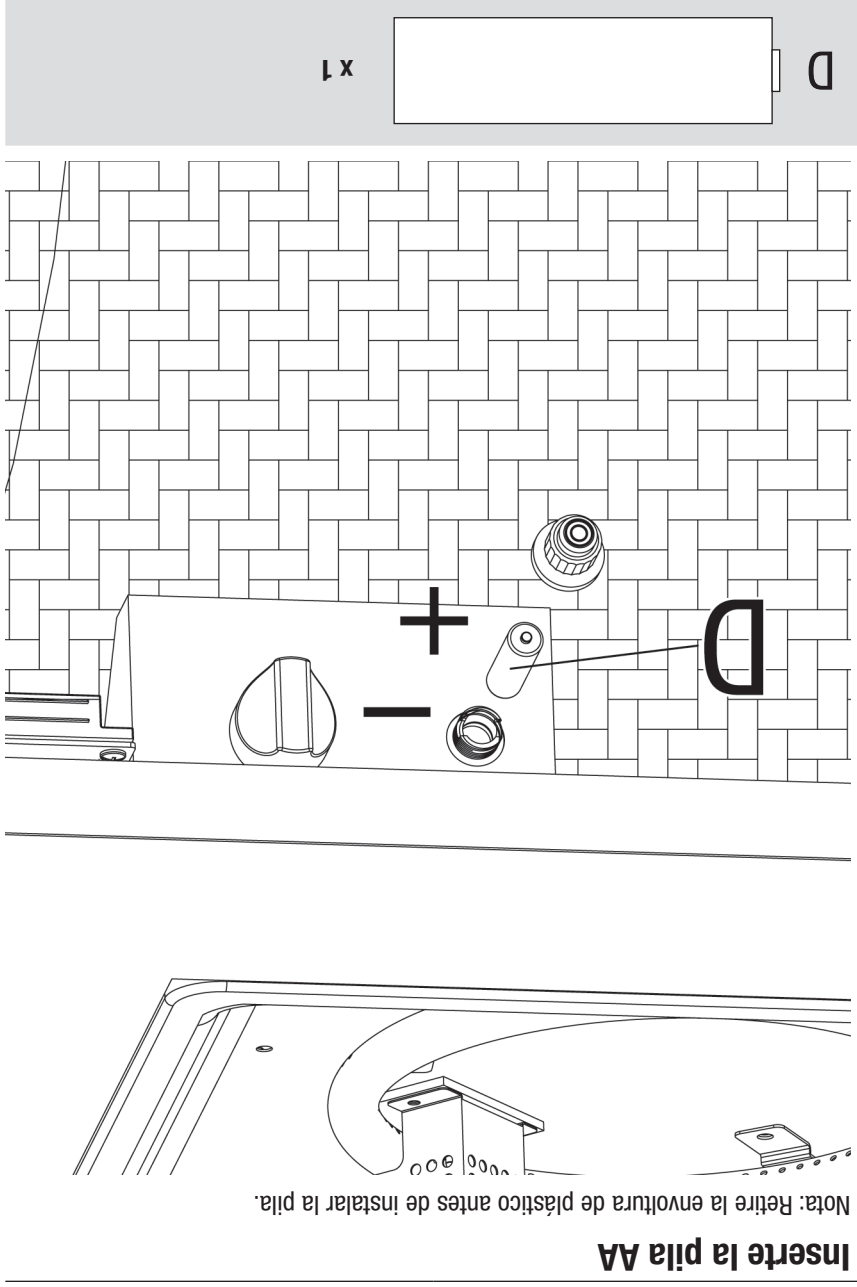


▲ **PRECAUCIÓN:** El tanque de gas propano líquido debe desconectarse correctamente y retirarse antes de mover esta chimenea para exteriores.

? Necesita propano?

Disponible en:

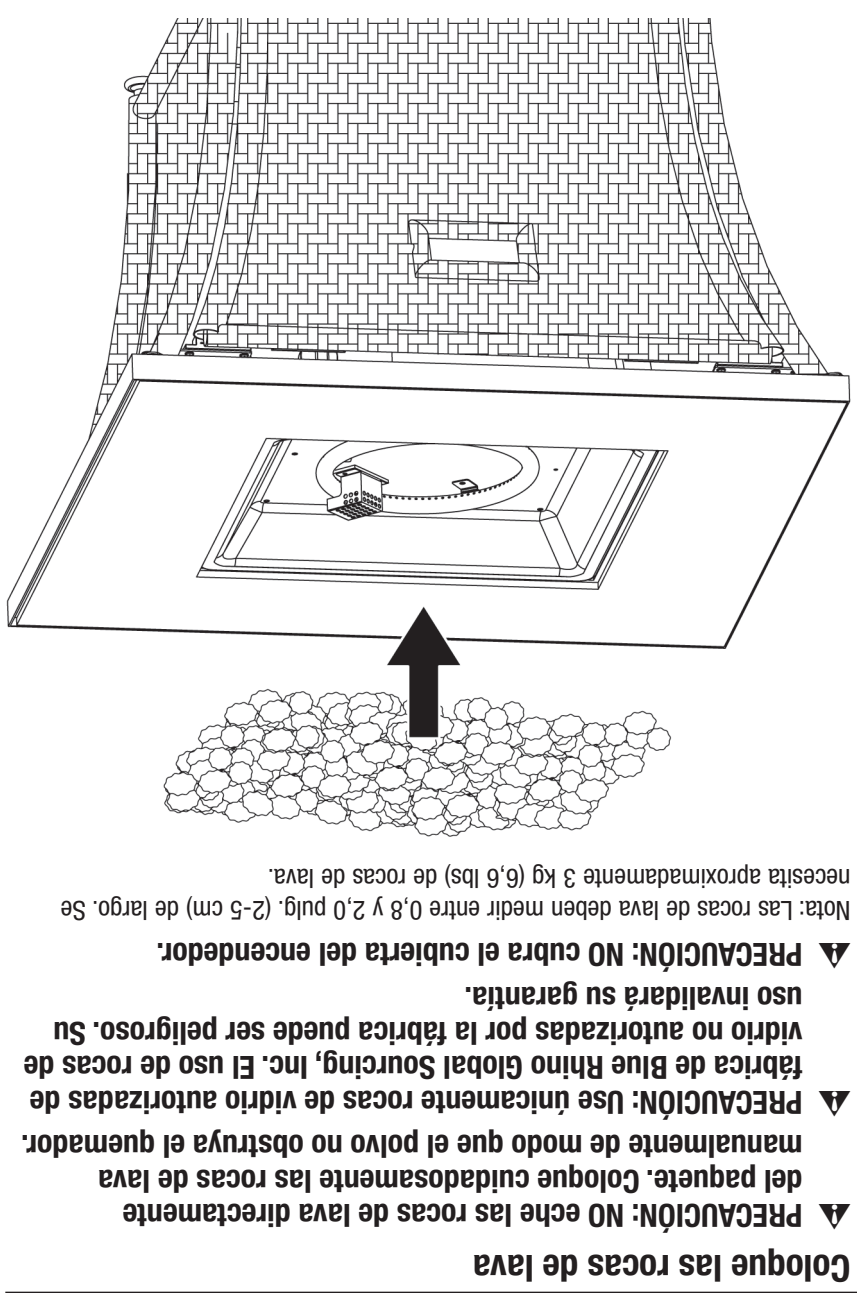




Inserte la pila AA

Nota: Retire la envoltura de plástico antes de instalar la pila.

8

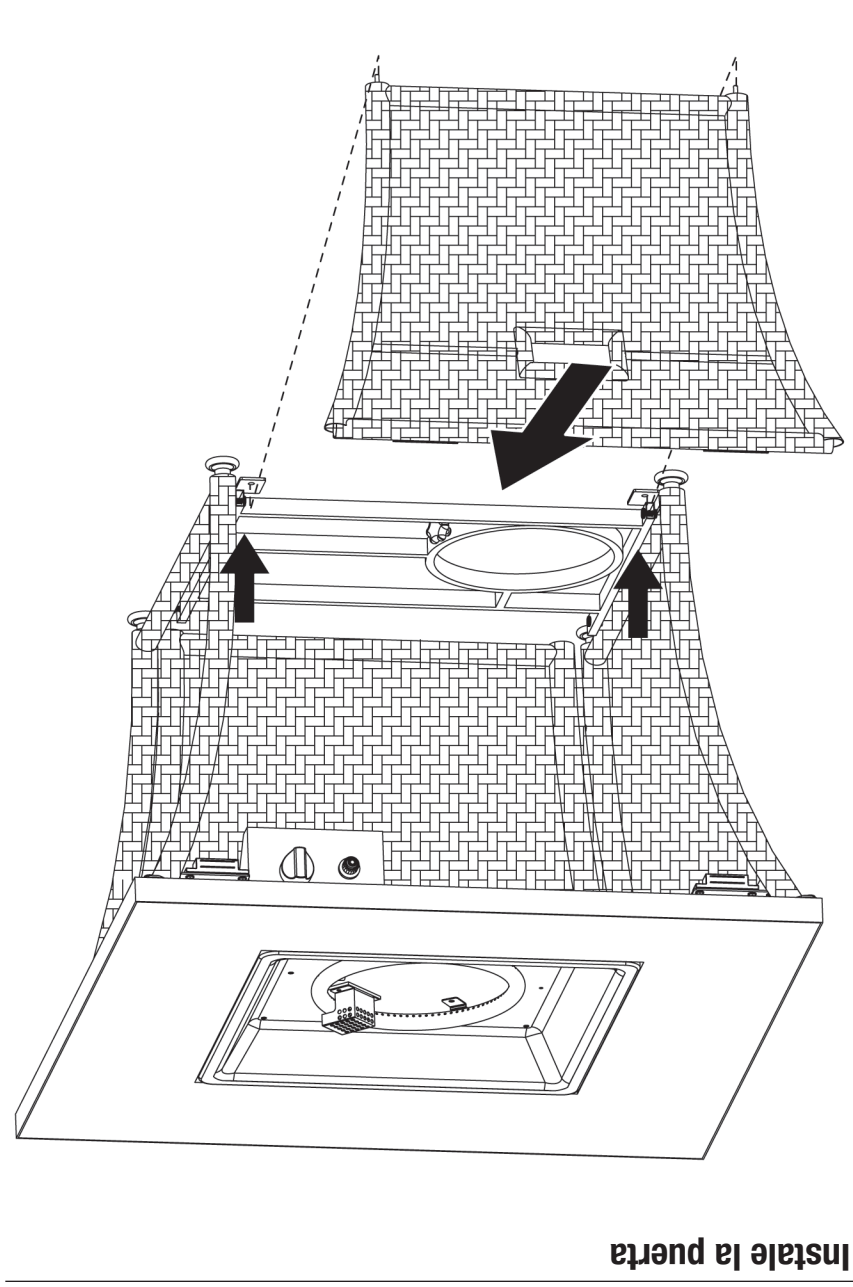


Coloque las rocas de lava

- ▲ **PRECAUCIÓN:** NO eche las rocas de lava directamente del paquete. Coloque cuidadosamente las rocas de lava manualmente de modo que el polvo no obstruya el quemador.
- ▲ **PRECAUCIÓN:** Use únicamente rocas de vidrio autorizadas de fábrica de Blue Rhino Global Sourcing, Inc. El uso de rocas de vidrio no autorizadas por la fábrica puede ser peligroso. Su uso invalidará su garantía.
- ▲ **PRECAUCIÓN:** NO cubra el cubierta del encendedor.

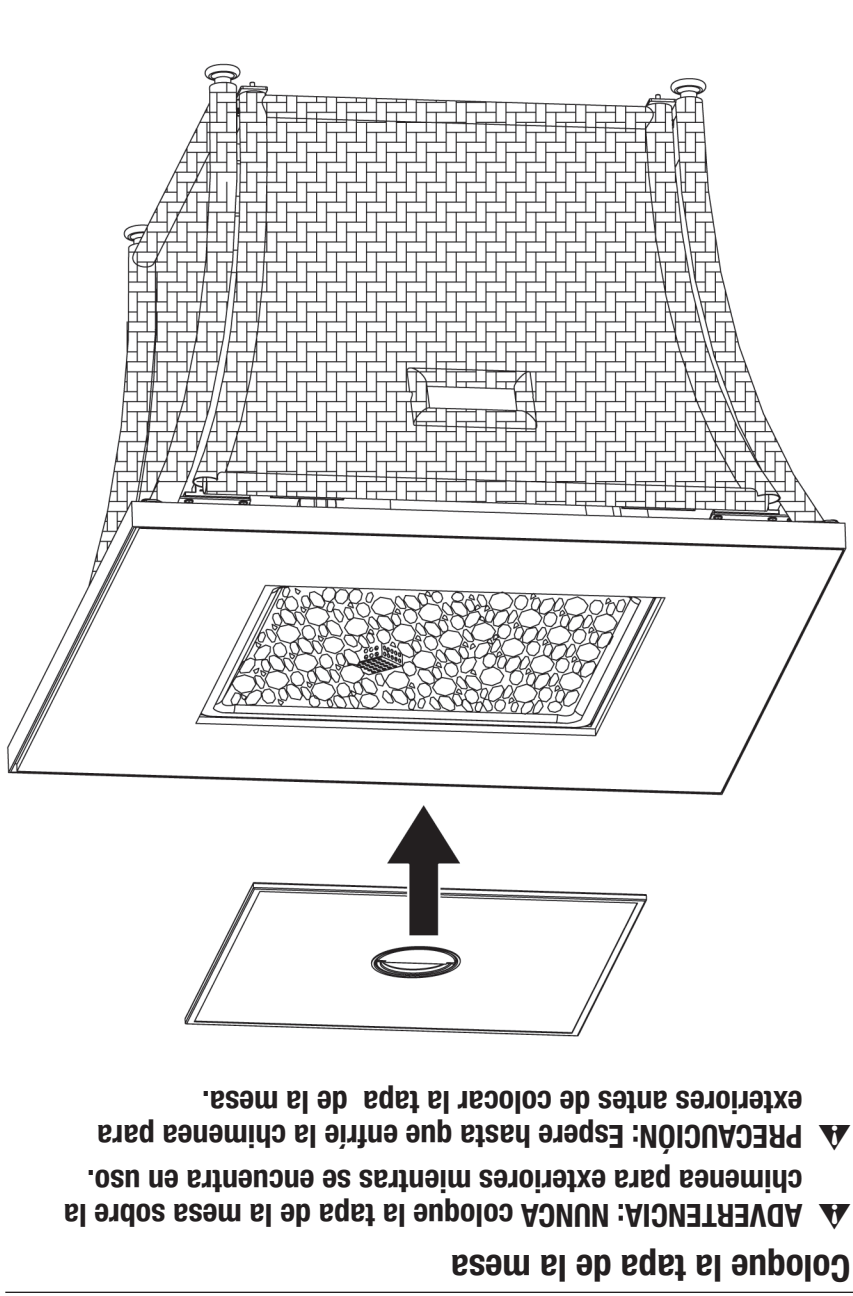
Nota: Las rocas de lava deben medir entre 0,8 y 2,0 pulg. (2-5 cm) de largo. Se necesita aproximadamente 3 kg (6,6 lbs) de rocas de lava.

10



Instale la puerta

9



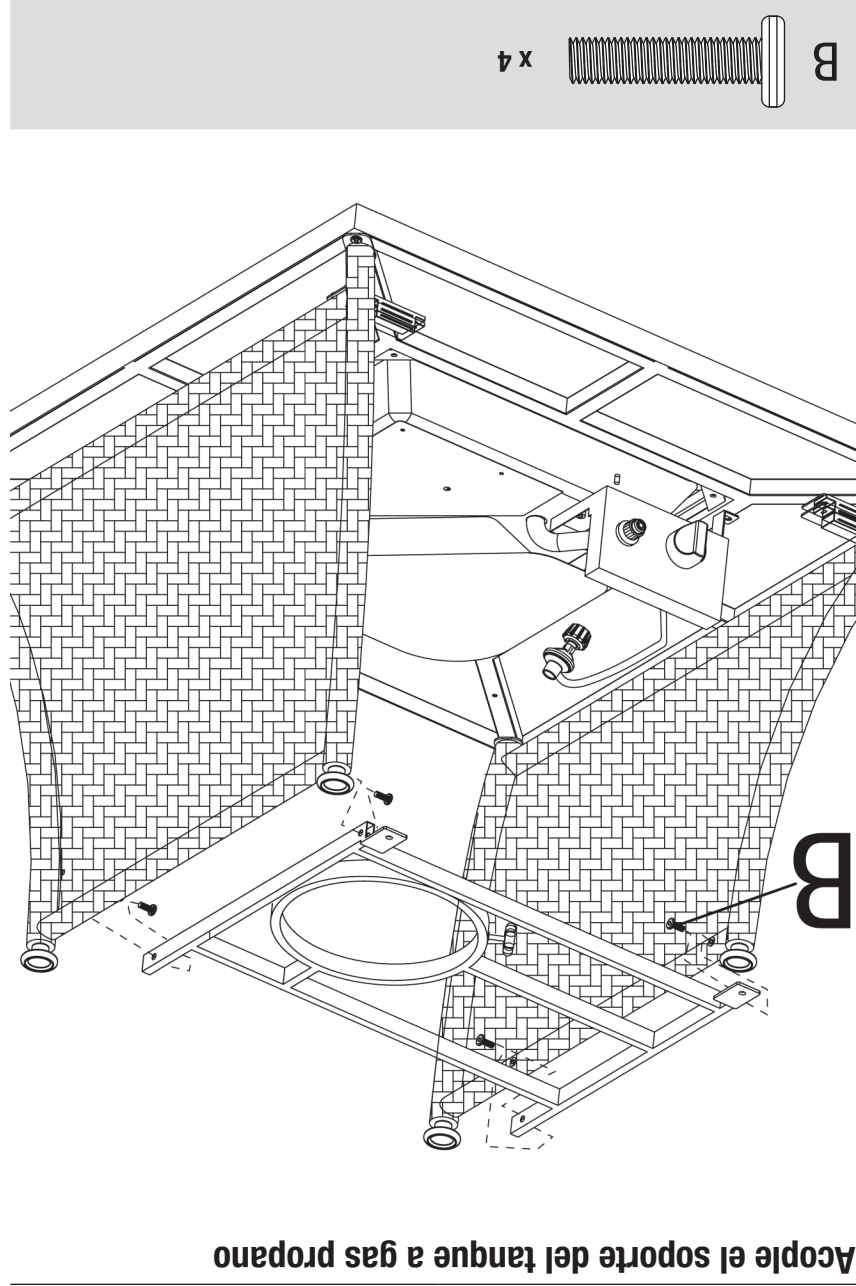
Coloque la tapa de la mesa

- ▲ **ADVERTENCIA:** NUNCA coloque la tapa de la mesa sobre la chimenea para exteriores mientras se encuentra en uso.
- ▲ **PRECAUCIÓN:** Espere hasta que entre la chimenea para exteriores antes de colocar la tapa de la mesa.

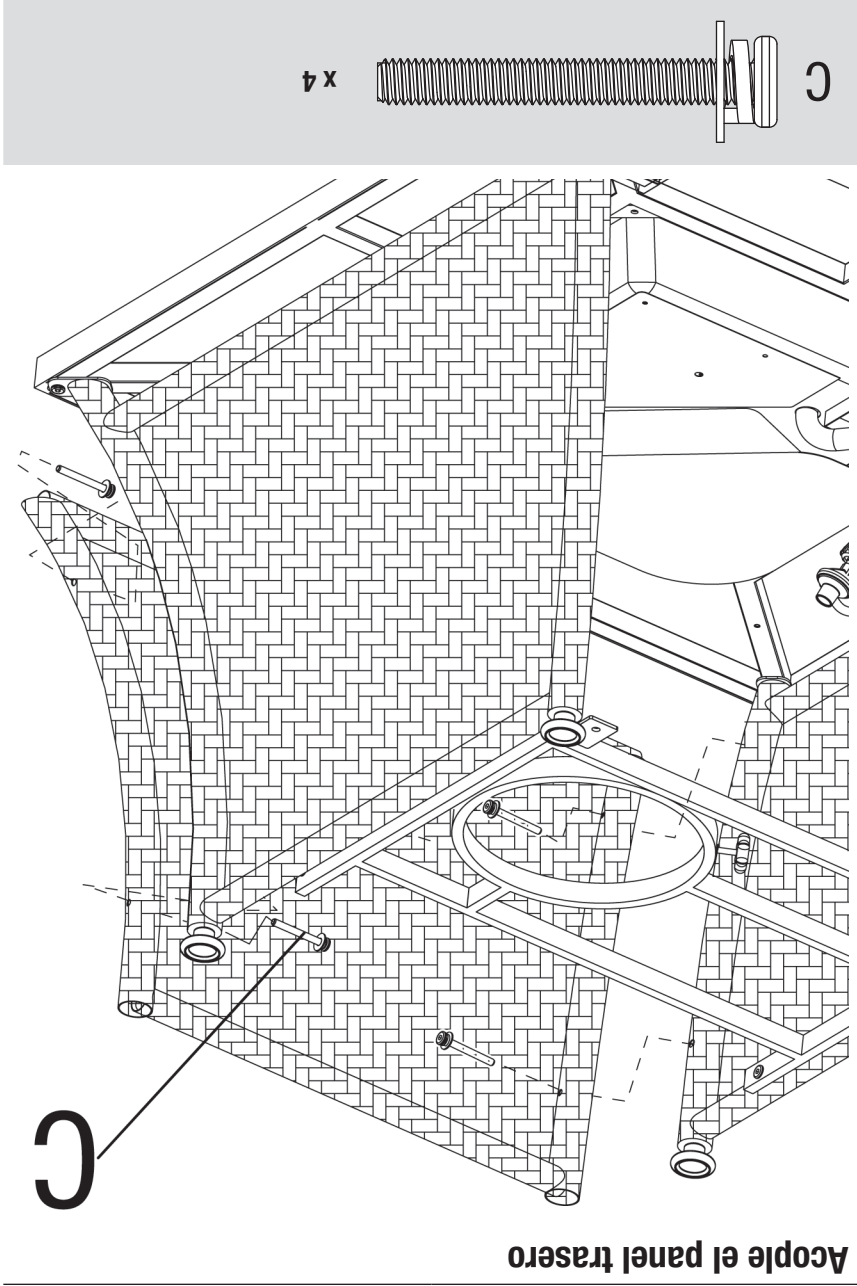
11



Instrucciones de armado (continuación)



5

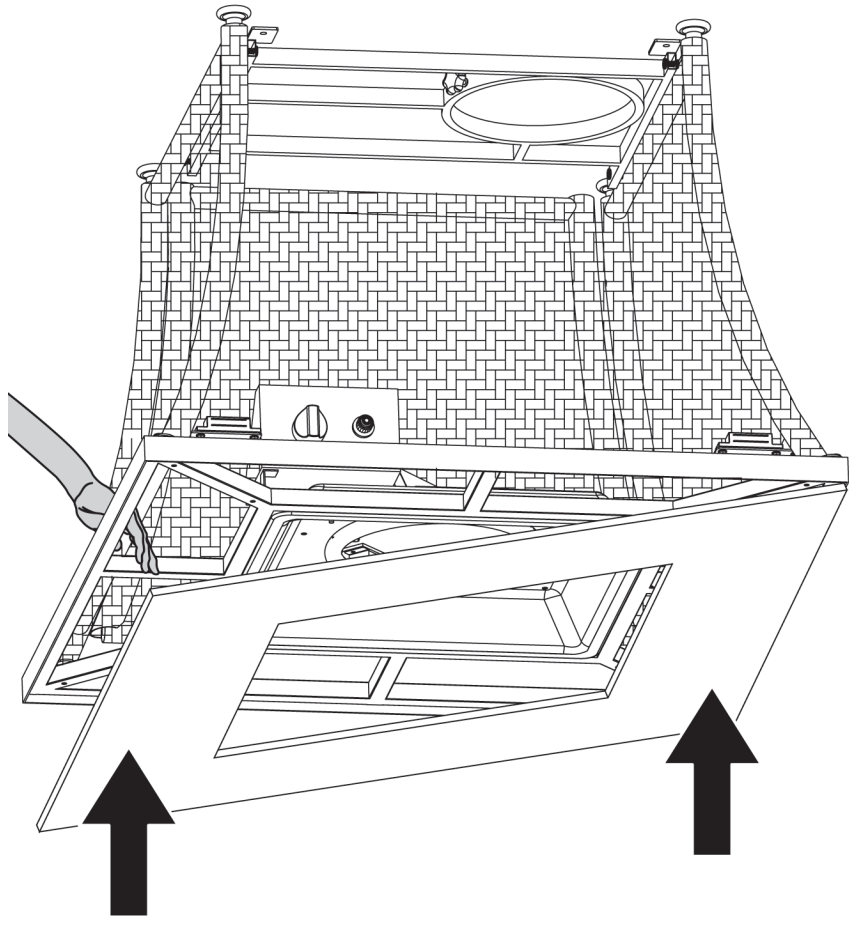
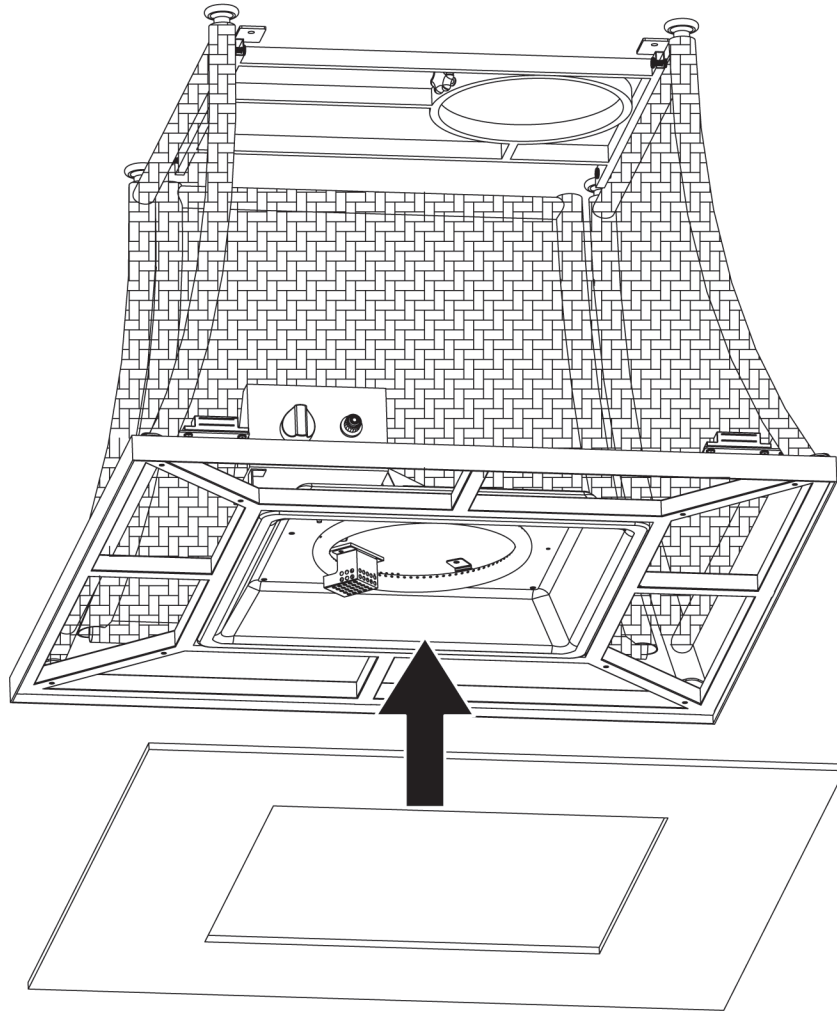


6

7

Coloque la placa del hogar

- ▲ PRECAUCIÓN: Se necesitan dos (2) personas para realizar este paso.
- ▲ PRECAUCIÓN: Primero coloque el hogar sobre uno de los lados del marco del hogar, NO deje caer el hogar sobre el marco, sino descéndalo cuidadosamente sujetándolo desde abajo.
- ▲ PRECAUCIÓN: NO deje caer el hogar sobre su marco. Descienda el hogar sujetándolo desde abajo de su marco.



? Necesita ayuda? Llame al 1.800.762.1142. No vuelva al lugar de compra.

Para piezas de repuesto
1.800.762.1142

NO DEVUELVA EL PRODUCTO AL LUGAR DE COMPRA.

Si necesita ayuda llame, sin cargo, al 1.800.762.1142. Por favor tenga a mano su manual y el modelo número de la unidad, para referencia.

Note: The model number is printed on a label which can be found on the inside door, back or side of the base assembly.

Para facilitar el armado:

1. Elija el lugar en el que armará este producto. Para proteger los componentes, elija una superficie lisa, sin fisuras ni hendijas.
2. Coloque material protector sobre el piso y el hogar sobre el mismo para proteger el piso contra rasguños.
3. Presente todas las piezas.
4. Ajuste todas las conexiones de los elementos de ferretería, primero en forma manual. Luego, después de completar cada paso, ajústelos por completo. Tenga cuidado de no ajustar demasiado. Se podrían dañar las superficies o forzar las roscas.
5. Para obtener mejores resultados, siga todos los pasos en el orden indicado.

Para terminar el armado de la unidad necesitará:

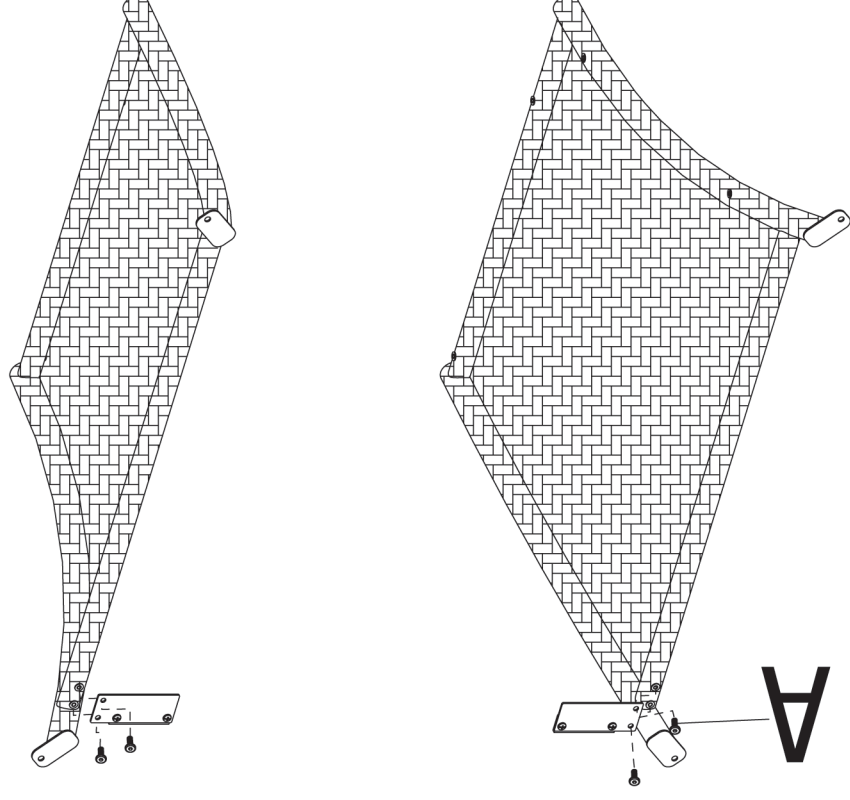
- una (1) solución para detección de fugas. Las instrucciones sobre cómo preparar esta solución se encuentran en la sección "Instrucciones de operación".
- un (1) tanque de gas propano líquido, para Parrilla, llenado con precisión y con rosca externa Acme Tipo 1 para conexión de válvula (non incluidas).

Tiempo de armado estimado: una hora

▲ PRECAUCIÓN: Se puede necesitar dos (2) personas para el armado.

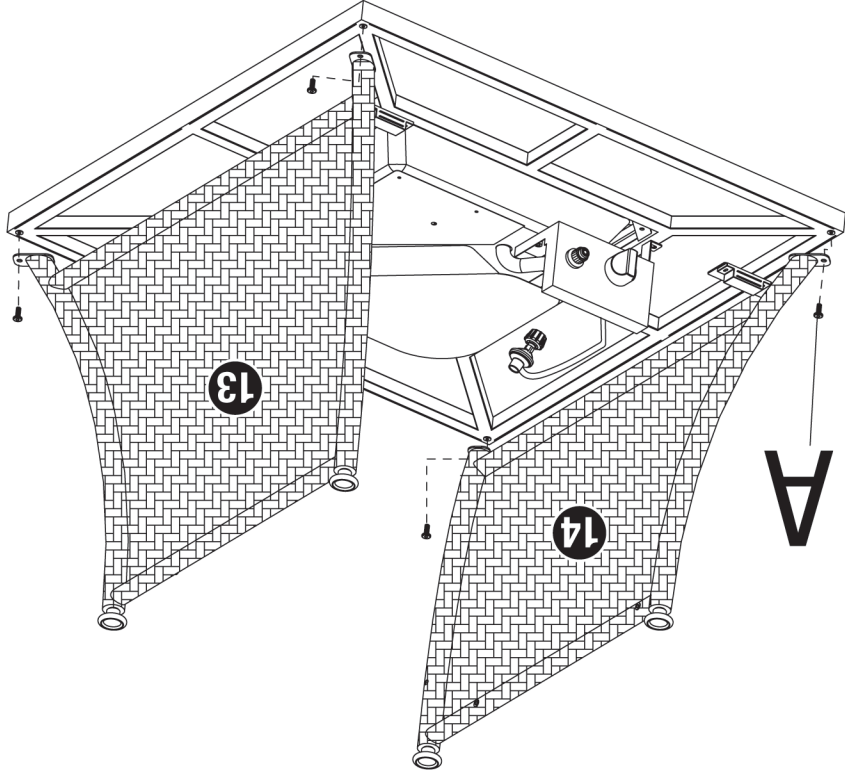
1

Acople los imanes



3

Acople los paneles laterales



4

A x 4

Retire la placa del hogar y el empaque de la estructura

del hogar

▲ PRECAUCIÓN:

1. Se necesitan dos (2) personas para realizar este paso.
2. Para evitar raspaduras, coloque las piezas sobre una superficie protectora como una lámina o toalla.

2

A x 4



Mesa y chimenea para exteriores a gas propano líquido
Modelo no. GAD15253B

Lista de piezas

1 Tapa de la mesa 58-23-817

2 Cubierta del encendedor* 58-23-896

3 Quemador* 58-23-251

4 Carcasa* 58-23-895

5 Conjunto de regulador y 58-23-922

6 Tapa de la pila* 58-23-897

7 Perilla de control* 58-23-139

8 Rocas de lava** 55-05-833

9 Hogar 58-23-818

10 Estructura del hogar 58-23-819

11 Imán (2)* 58-23-820

12 Panel trasero 58-23-821

13 Panel lateral izquierdo 58-23-822

14 Panel lateral derecho 58-23-823

15 Pie (4)* 58-23-147

16 Puerta 58-23-824

17 Soporte del tanque a gas 58-23-825

18 Propano 58-23-825

19 Tanque de propano 58-23-149

20 Cubierta de la chimenea 58-23-826

21 Rocas de lava o vidrio autorizadas de fábrica de Blue Rhino Global Sourcing, Inc. El uso de rocas de lava o vidrio no autorizadas por la fábrica puede ser peligroso. Su uso invalidará su garantía.

22 **PRECAUCIÓN: Use únicamente rocas de lava o vidrio autorizadas para exteriores (no se requieren y se venden por separado)**

23 * Viene ensamblado

24 ▲

25

26

27

28

29

30

31

32

33

34

35

36

37

38

39

40

41

42

43

44

45

46

47

48

49

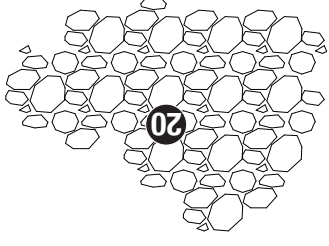
50

51

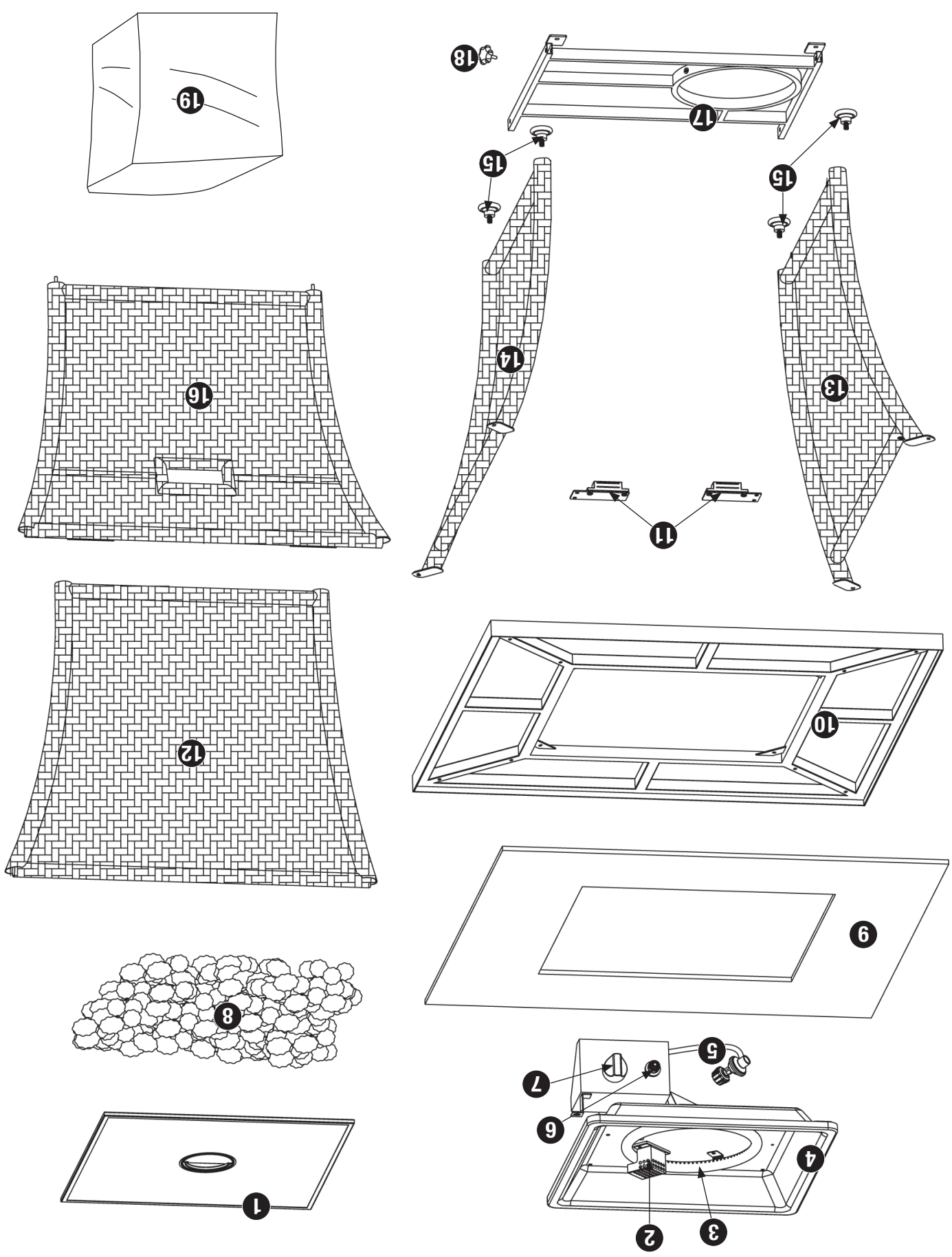
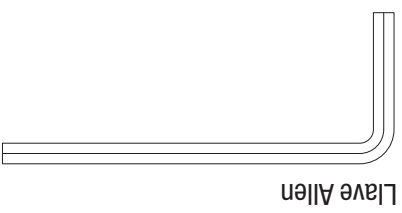
52

| | | | |
|---|----------|---|-------|
| A | Tornillo | Niquelado, de cabeza Phillips abombada, M6x12 | 8 pzs |
| B | Tornillo | Niquelado, de cabeza Phillips abombada, M6x25 | 4 pzs |
| C | Tornillo | Niquelado, de cabeza Phillips abombada, M6x50 | 4 pzs |
| D | Pila AA | Pila AA de 1,5 V | 1 pc |

Elementos de ferretería



Vendido por separado



Herramientas necesarias para el armado (incluidas)

1 pc

¿Necesita ayuda? Llame al 1.800.762.1142.

No vuelva al lugar de compra.

Para piezas de repuesto

1.800.762.1142

- ▲ NO queme trozos de madera, briquetas de carbón de leña, carbón, leños de madera aglomerada, madera de deriva, basura, hojas, cartón o pedazos de madera terciada en la chimenea para exteriores.
- ▲ Es fundamental mantener limpio el compartimiento de la válvula de la chimenea, los quemadores y los conductos de aire circulante. Inspeccione la chimenea para exteriores antes de cada uso.
- ▲ NO utilice la chimenea para exteriores a menos que esté completamente montada y que todas las piezas estén bien fijadas y apretadas.
- ▲ NO use esta chimenea para exteriores cerca de automóviles, camiones, furgones o vehículos recreativos o de recreo.
- ▲ NO use esta chimenea para exteriores debajo de aleros o cerca de construcciones combustibles que no estén debidamente protegidas.
- ▲ Evite usar la chimenea para exteriores cerca o debajo de árboles y arbustos.
- ▲ Coloque siempre la chimenea para exteriores sobre superficies firmes y niveladas no combustibles tales como las de hormigón, ladrillo o roca. Una superficie de asfalto o de pavimento puede que no sea adecuada para este propósito.
- ▲ NO utilice esta chimenea para exteriores para cocinar.
- ▲ NO use esta unidad si alguna parte ha quedado bajo agua. Llame inmediatamente a un técnico de servicio calificado para que inspeccione la unidad y para que reemplace cualquier parte o sistema de control y cualquier control de gas que haya estado bajo agua.
- ▲ NO use ropa inflamable o floja cuando usa la chimenea para exteriores.
- ▲ NO utilice la chimenea si hace mucho viento.
- ▲ NO se apoye sobre la chimenea para exteriores cuando la está encendiendo o usando.
- ▲ NO use esta chimenea para exteriores a menos que el quemador esté seguro en su lugar.
- ▲ Mantenga todos los cables eléctricos lejos de una chimenea para exteriores caliente.
- ▲ Ciertas partes de esta chimenea para exteriores se calentarán demasiado, evite el contacto. NO toque las piezas de la chimenea para exteriores hasta que se hayan enfriado completamente (alrededor de 45 minutos) para evitar quemaduras, a menos que usted tenga puestos elementos de protección tales como guantes o almohadilla para las ollas, guantes de barbacoa, etc.
- ▲ NO deje una chimenea para exteriores encendida sin vigilancia, especialmente, mantenga los niños y las mascotas lejos de la chimenea para exteriores en todo momento.
- ▲ Se debe informar a niños y adultos sobre los peligros de superficies calientes y deben mantenerse alejados para evitar quemaduras y el encendido de la ropa.
- ▲ Los niños pequeños deben ser vigilados constantemente cuando estén cerca a la unidad.
- ▲ NO cuelgue ni coloque ropa ni otros materiales inflamables sobre ni cerca de esta unidad.
- ▲ Cualquiera guarda u otro equipo protector que se haya retirado para realizar el servicio de mantenimiento de la unidad deberá volverse a colocar en su lugar antes de poner en funcionamiento la unidad.
- ▲ Si corresponde, la cubierta protectora debe retirarse cuando el quemador esté funcionando.
- ▲ Si corresponde, la parte central de la mesa debe retirarse antes de encender el quemador y no debe estar colocada cuando esté en funcionamiento.
- ▲ NO intente mover la chimenea para exteriores mientras esté encendida. Deje que la chimenea para exteriores se enfríe antes de moverla o guardarla.
- ▲ Esta chimenea para exteriores debe limpiarse y verificarse completamente de manera regular. Limpie y revise la manguera antes de cada uso del aparato. Si detecta alguna señal de abrasión, desgaste, cortes o fugas, deberá sustituir la manguera antes de poner en marcha el aparato.

- ▲ Esta chimenea para exteriores debe ser inspeccionada por lo menos una vez al año por una persona de servicio certificada. Según el uso, es posible que se requiera una limpieza más frecuente. NO haga funcionar la unidad hasta que todas las piezas hayan sido reparadas o reemplazadas.
- ▲ Use únicamente el regulador y la manguera suministrados. Use únicamente el regulador y la manguera de repuesto especificados por Blue Rhino Global Sourcing, Inc.
- ▲ Use únicamente piezas autorizadas de fábrica de Blue Rhino Global Sourcing, Inc. El uso de cualquier pieza no autorizada de fábrica puede ser peligroso. Su uso invalidará su garantía.
- ▲ Use únicamente rocas de lava o vidrio autorizadas de fábrica de Blue Rhino Global Sourcing, Inc. El uso de rocas de lava o vidrio no autorizadas por la fábrica puede ser peligroso. Su uso invalidará su garantía.
- ▲ NO encienda esta unidad sin haber leído las "Instrucciones de operación" que se encuentran en este manual.
- ▲ El almacenamiento en interiores de esta chimenea para exteriores sólo está permitido si el tanque está desconectado, desmontado del aparato y guardado como es debido al aire libre.
- ▲ NO trate de desconectar el regulador de gas del tanque, o cualquier otro accesorio de la línea de gas, mientras esté usando la chimenea para exteriores.
- ▲ Si la chimenea para exteriores no está en uso, debe apagarse el gas en el tanque de suministro.
- ▲ El regulador de presión está establecido para una columna de agua de 11 pulgadas (28 cm).
- ▲ La máxima presión de gas de entrada de esta chimenea para exteriores es una columna de agua de 11 pulgadas (28 cm).
- ▲ Antes de probar la presión, cierre la válvula del tanque de gas propano líquido y desconecte el regulador de gas. El sistema de tubería del suministro de gas debe probarse a una presión igual o menor de ½ psi (3.5 kPa).
- ▲ NO se siente ni se pare sobre la repisa de la chimenea ni sobre ninguna parte de esta unidad.
- ▲ NO arroje nada al fuego cuando la unidad esté funcionando.
- ▲ Las piedras de vidrio y las rocas de lava están muy calientes. Mantenga a los niños y las mascotas a una distancia segura del artefacto.
- ▲ La abertura del collar del tanque debe orientarse hacia el lado de la puerta para facilitar el acceso.
- ▲ NO guarde materiales combustibles en el compartimiento de la base.
- ▲ Por favor, use guantes de protección cuando esté armando este producto.
- ▲ No trate de forzar las piezas juntas pues esto puede ocasionar lesiones o dañar el producto.
- ▲ El hogar está hecho de vidrio y es frágil por lo que debe manipularse con cuidado.
- ▲ NO deslice objetos pesados a través del hogar ya que se rayará.
- ▲ Las rocas de lava pueden saltar cuando se calientan.
- ▲ Todos los componentes de esta chimenea para exteriores pueden calentarse.
- ▲ El no seguir exactamente las instrucciones dadas arriba puede producir daños a la propiedad, lesiones serias y hasta fatales.



Mesa y chimenea para exteriores a gas propano líquido Modelo no. GAD15253B

Salvaguardias importantes

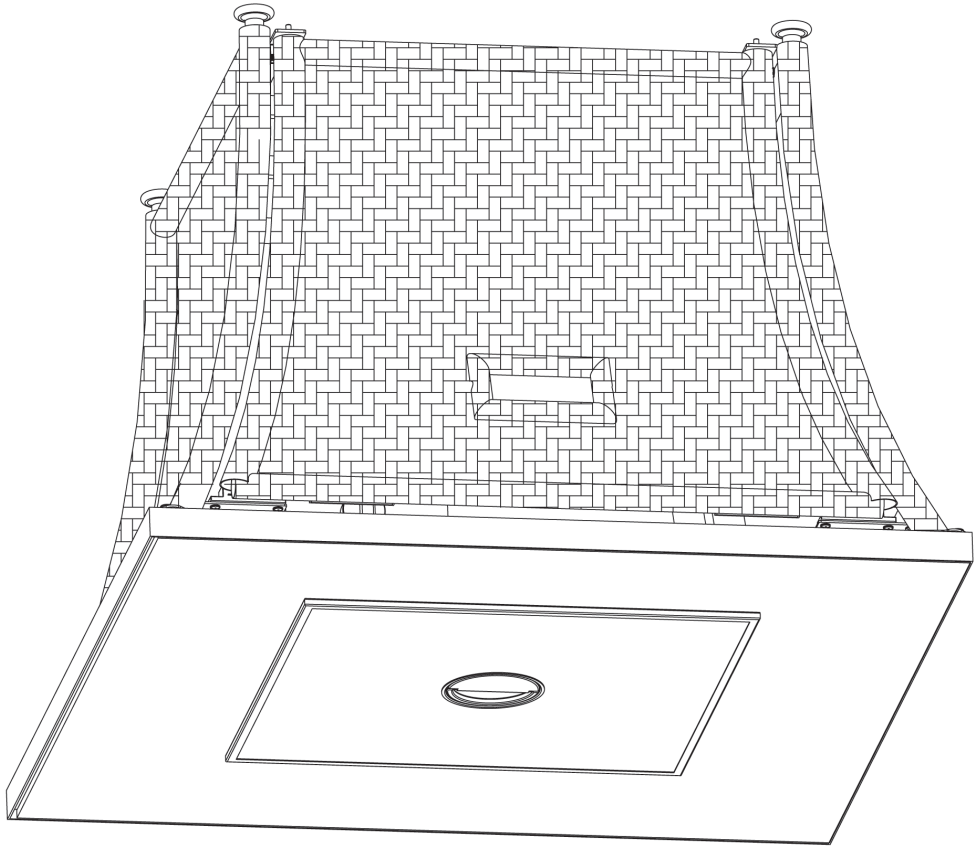
- ▲ **PELIGRO:** El no seguir los avisos de peligro, las advertencias y las precauciones, puede ocasionar un incendio o una explosión, con sus consecuentes daños a la propiedad, lesiones personales y hasta accidentes fatales.
- ▲ **ADVERTENCIAS :**
- ▲ Este artefacto es para ser usado al aire libre únicamente y NO debe usarse dentro de un edificio, garaje o cualquier otra área cerrada.
 - ▲ NO opere, encienda o use esta unidad a menos de diez (10) pies (3,05 m) de paredes, estructuras o edificaciones.
 - ▲ Para uso residencial únicamente. Esta chimenea para exteriores NO ha sido diseñada para uso comercial.
 - ▲ Esta chimenea para exteriores NO ha sido diseñada como calentador y nunca se la debe utilizar como tal. Gases TÓXICOS pueden acumularse y provocar la asfixia.
 - ▲ Esta chimenea para exteriores cuenta con certificación de seguridad para uso en los Estados Unidos y Canadá solamente. NO debe modificarse para uso en ningún otro lugar. La modificación resultará en un peligro de seguridad y anulará la garantía.
 - ▲ Habitantes de apartamentos: Comuníquese con la administración para obtener los requisitos y los códigos de incendio para uso de una chimenea para exteriores a gas propano líquido en su complejo de apartamentos. Si está permitido su uso, coloque la unidad en exteriores, sobre el suelo con una distancia de diez (10) pies (3 m) de paredes o barandas. No debe usarse en balcones ni debajo de estos.
 - ▲ Esta chimenea para exteriores utiliza únicamente gas de propano líquido como combustible. El convertir o tratar de convertir esta chimenea para exteriores de gas propano líquido para ser usada con gas natural es peligroso e invalidará la garantía de la unidad.
 - ▲ Características del propano líquido (PL):
 - a. El propano es inflamable y resulta peligroso si se manipula inadecuadamente. Antes de utilizar cualquier producto que emplee propano líquido, estudie detenidamente sus características.
 - b. El gas de propano líquido es explosivo bajo presión, más denso que el aire, se asienta y se acumula a poca altura.
 - c. En su estado natural, el propano no tiene ningún olor. Para su seguridad, se añade una esencia odorífera que huele a col podrida.
 - d. El contacto directo con el propano líquido puede causar quemaduras frías en la piel.
 - ▲ Únicamente tanques marcados “Propano” pueden usarse en esta unidad.
 - a. El tanque de gas propano líquido (PL) debe estar fabricado y comercializado según las *Especificaciones para tanques de gas PL del Departamento de Transporte (DOT) de EE.UU. o del Estándar nacional de Canadá, CAN/CSA-B339 sobre tanques, esteras y tubos para el transporte de mercancías peligrosas si aplicable.*
 - b. Verifique que el tanque de propano cuenta con mecanismo de extracción de vapor.
 - c. El tanque de gas propano líquido debe tener un dispositivo que evite el sobrellenado del tanque (OPD) y una conexión rápida o una conexión Tipo I (CGA810) para tanque de gas propano.
 - d. No utilice nunca un tanque de propano líquido si el cuerpo no tiene collar para proteger la válvula.
 - e. No utilice nunca un tanque de propano líquido si el cuerpo, la válvula, el collar o el anillo interior presentan algún daño.
 - f. Los tanques de propano líquido abollados u oxidados pueden ser peligrosos y deberían ser revisados por su proveedor de gas PL antes de utilizarlos.
 - g. No deje caer el tanque de gas propano líquido ni la manija bruscamente.
 - h. Los tanques de propano deben almacenarse en exteriores, en un lugar al aire libre siempre fuera del alcance de los niños y nunca en un garaje, edificio o espacio cerrado. Nunca almacene tanques de gas en un lugar en el que la temperatura supere los 125°F (51,5°C).
 - i. NO inserte ninguna herramienta ni objeto extraño en la salida de la válvula ni en la válvula de seguridad. Podría dañar la válvula y causar una fuga. Una fuga de gas propano puede resultar en explosión, incendio, lesiones personales graves o la muerte.
 - ▲ No ponga nunca un tanque de gas propano lleno en un carro o camioneta calientes. El calor podría hacer que la presión del gas aumentase, lo que abriría la válvula de seguridad y haría que se escapase el gas.
 - ▲ ponga la tapa contra el polvo en la válvula de salida del tanque cuando no lo esté usando. Únicamente use la tapa contra el polvo que viene con la válvula del tanque. Otros tipos de tapones o tapas pueden crear fugas del propano.
 - ▲ Nunca guarde un tanque adicional de propano debajo o cerca de esta chimenea para exteriores.
 - ▲ Nunca llene el tanque más allá de 80% de su capacidad.
 - ▲ El no seguir exactamente las instrucciones dadas arriba puede producir un incendio con daños a la propiedad, lesiones serias y hasta fatales.
 - ▲ Todas las conexiones de gas de su chimenea para exteriores han sido verificadas en fábrica en cuanto a fugas de gas. Sin embargo, vuelva a probar la integridad de todas las conexiones como se indica en las “Instrucciones de operación” ya que el movimiento en transporte puede aflojar algunas de ellas.
 - ▲ Verifique que no haya fugas aun si el aparato ha sido armado por otra persona.
 - ▲ NO opere la unidad si hay una fuga de gas. Las fugas de gas pueden provocar un fuego o una explosión.
 - ▲ Antes de operar esta unidad, debe observar todos los procedimientos para verificar que no hay fugas de gas. Para evitar cualquier riesgo de fuego o de explosión al comprobar si hay fugas:
 - a. Compruebe siempre si hay fugas antes de encender la chimenea para exteriores cada vez que el tanque de gas está conectado.
 - b. No fume. NO use o permita fuentes de ignición en el área al comprobar si hay fugas.
 - c. Siempre compruebe si hay fugas en exteriores donde hay una buena ventilación.
 - d. NO use cerillas, encendedores o una llama para comprobar si hay fugas.
 - e. El uso de bebidas alcohólicas, medicamentos o drogas de farmacia puede afectar la habilidad del usuario para armar debidamente u operar en forma segura este artefacto.
 - f. Los olores fuertes, los resfrios, la congestión de los senos nasales, etc. pueden evitar la detección del gas propano. Tenga cuidado y sentido común al hacer pruebas para detectar fugas.
 - g. NO use la chimenea para exteriores hasta que todas las fugas hayan sido reparadas. Si no puede parar una fuga, desconecte el tanque de propano. Llame a un técnico de servicio de artefactos a gas o a su proveedor de propano local.
 - ▲ NO guarde o use gasolina u otros líquidos o vapores inflamables a menos de 25 pies (7,6 m) de esta unidad.
 - ▲ NO utilice este artefacto en una atmósfera explosiva. Mantenga la zona de la chimenea para exteriores libre de materiales combustibles, gasolina y cualquier otro vapor o líquido inflamable.
 - ▲ Los niños NO deben usar esta chimenea para exteriores.
 - ▲ NO instale o utilice esta chimenea para exteriores en embarcaciones o vehículos recreativos (RV).
 - ▲ NO conecte esta unidad a un suministro de gas remoto.
 - ▲ No intente nunca acoplar esta chimenea para exteriores al sistema de propano de un campero, de una casa móvil o de su propia casa.
 - ▲ Observe siempre y use la unidad cumpliendo todos los códigos de incendio aplicables, locales y nacionales. Obtenga de su Departamento de Incendios local detalles en cuanto a quemas al aire libre.
 - ▲ Al usar esta chimenea para exteriores, observe las mismas precauciones que merece cualquier fuego abierto.
 - ▲ NO encienda esta chimenea para exteriores sin haber leído completamente todas las instrucciones de este manual del usuario.



MANUAL DEL USUARIO

Mesa y chimenea para exteriores a gas propano líquido

Modelo no. GAD15253B



Disponible en:
LOWE'S

¿Necesita propano?

ADVERTENCIA PARA SU SEGURIDAD: Solamente para uso en exteriores (fuera de cualquier recinto) No usar para cocinar.

ADVERTENCIA

- ▲ Si no se siguen exactamente las instrucciones descritas en este manual, puede causarse un incendio o explosión, así como daños materiales, lesiones personales o la muerte.
- ▲ **QUE HACER SI SIENTE OLOR A GAS:**
 - No trate de encender ningún artefacto.
 - No toque ningún interruptor eléctrico; no use el teléfono en su edificio.
 - Inmediatamente llame a su proveedor de gas desde el teléfono de un vecino.
 - Siga las instrucciones del proveedor de gas. Si no puede contactar a su proveedor de gas, llame a los bomberos
- ▲ La instalación y el servicio debe realizarla un instalador, agencia de servicio o proveedor de gas calificado.
- ▲ Guarde estas instrucciones para futura referencia.
- ▲ Si está montando esta unidad para otra persona, entéguele este manual para futuras consultas.

ADVERTENCIA PARA SU SEGURIDAD: Una instalación, ajuste, alteración, reparación o mantenimiento inadecuados pueden causar lesiones o daños a la propiedad.

- ▲ Lea atentamente las instrucciones de instalación, funcionamiento y mantenimiento del equipo antes de instalarlo, ponerlo en marcha o darle servicio.

ADVERTENCIA PARA SU SEGURIDAD: Si huele a gas:

1. Cierre la entrada de gas al aparato.
2. Apague cualquier llama activa.
3. Si el olor persiste, manténgase alejado del aparato y llame inmediatamente a su proveedor de gas o al departamento de bomberos.

PELIGRO

Si huele a gas:

1. Cierre la entrada de gas al aparato.
2. Apague cualquier llama activa.
3. Si el olor persiste, manténgase alejado del aparato y llame inmediatamente a su proveedor de gas o al departamento de bomberos.

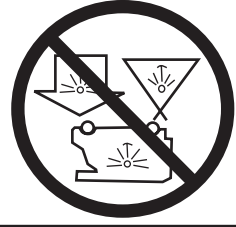
ADVERTENCIA PARA SU SEGURIDAD: 1. No guarde o use gasolina u otros líquidos o vapores inflamables cerca de esta unidad o de cualquier otro aparato.

2. Un tanque de propano líquido que no esté conectado para su uso no se debe almacenar cerca de éste o cualquier otro aparato.

PELIGRO

Nunca deje este artefacto encendido sin vigilancia.

- PELIGRO DE MONÓXIDO DE CARBONO**
- Este producto puede producir monóxido de carbono, el cual no emite ningún olor.
 - Usarlo en espacios cerrados puede causar la muerte.
 - Nunca use este producto en un espacio cerrado tal como un campero, una carpa o en su casa.



PELIGRO

Salvaguardias importantes Página 2

Despiece y elementos de ferreteria..... 4

Instrucciones de armado 5

Instalación del tanque de gas propano líquido (PL) 8

Instrucciones de operación 9

Limpieza y cuidado 9

Registro del producto 10

Piezas de repuesto 10

Garantía limitada 10

Resolución de problemas 11

El uso e instalación de este producto ha de realizarse de acuerdo con los códigos locales. Si no existen códigos locales, use las normas siguientes: *National Fuel Gas Code (Código Nacional de Gas Combustible)*, *ANSI Z223.1/NFPA 54 o International Fuel Gas Code (Código Internacional de Gas Combustible)*. Al instalarse este producto, la conexión eléctrica a tierra debe hacerse de conformidad con los códigos locales o en ausencia de los códigos locales, el *Código Eléctrico Nacional, ANSI/NFPA 70*, si corresponde. ESTE MANUAL DE INSTRUCCIONES CONTIENE INFORMACIÓN IMPORTANTE SOBRE LA SEGURIDAD. POR FAVOR, LEALO Y CONSERVELO PARA FUTURAS CONSULTAS.

Si está montando esta unidad para otra persona, entéguele este manual para futuras consultas.

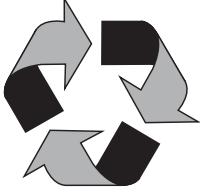
Propuesta 65 de California: La combustión del propano al usar esta unidad crea productos químicos considerados por el Estado de California como causantes de cáncer, malformaciones congénitas u otros daños reproductivos.

Propuesta 65 de California: Lavarse las manos después de manipular este producto.

Propuesta 65 de California: La manipulación de las piezas de bronce de este producto genera exposición al plomo, un elemento químico que el Estado de California ha determinado que produce cáncer, defectos de nacimiento u otros daños reproductivos.



Fabricado en China para: Blue Rhino Global Sourcing, Inc
 Winston-Salem, NC EE.UU. • 1.800.762.1142 • BlueRhino.com
 © Blue Rhino Global Sourcing, Inc.
 Blue Rhino® es una marca registrada de Ferrellgas, L.P.
 Patente pendiente



Hecho con 75% de bagazo de caña (subproducto de la caña de azúcar respetuoso del medio ambiente)